

三相智能数字互感器

THREE-PHASE INTELLIGENT DIGITAL TRANSFORMER

物联网电流传感器生产商

IOT CURRENT SENSOR MANUFACTURER



专业，方能体现品质和效率
Professional, can reflect quality and efficiency

CT46 三相智能数字互感器 THREE-PHASE INTELLIGENT DIGITAL TRANSFORMER

YUCHENG

> 产品概述 Product overview

三相智能数字互感器，专为采集电流信号而设计。二次电流为mA级，且必须用于穿芯方式，严格按照标准NSX和NXM塑壳断路器穿排尺寸设计。本系列产品测量范围宽，额定一次电流范围：1A~800A额定二次电流范围：20mA~1A，优异先进的制作工艺。保证了其准确度等级，可靠性等技术要求，本系列产品满足GB 28184-2011、GB/T20840.1.2和GB14287.2-2014的要求。

Three-phase intelligent digital transformer, designed for collecting current signals. The secondary current is mA level and must be used in the core threading mode, which is designed strictly in accordance with the standard NSX and NXM MCCB routing dimensions. This series of products has a wide measuring range, rated primary current range: 1A~800A rated secondary current range: 20mA~1A, excellent advanced production process. To ensure its accuracy level, reliability and other technical requirements, this series of products meet the requirements of GB 28184-2011, GB/T20840.1.2 and GB14287.2-2014.

> 产品特点 Product features

- ◆ 铜排 线缆 都能穿过
- ◆ 穿芯结构、阻燃性环氧树脂浇注、稳定性好
- ◆ 采用高导磁镍钢或纳米晶，线性度好、灵敏度高
- ◆ 优异的平衡特性、并具有极强的抗电磁场干扰能力
- ◆ All copper wires and cables can pass through
- ◆ Core piercing structure, flame retardant epoxy resin casting, good stability
- ◆ High magnetic conductivity nickel steel or nanocrystalline, good linearity and high sensitivity
- ◆ Excellent balance characteristics and strong anti electromagnetic interference ability

> 应用范围 Scope of application

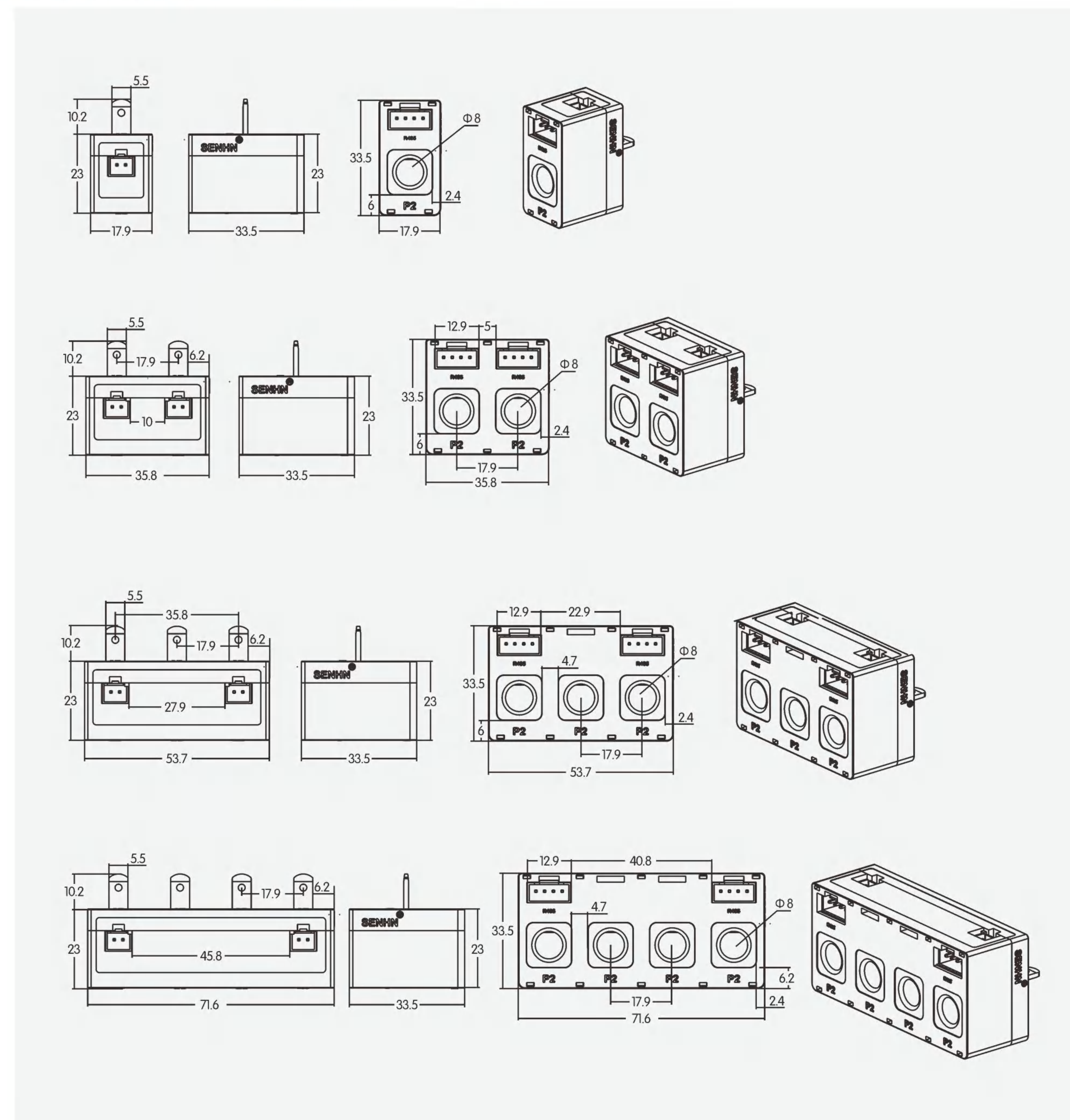
电气火灾监控、电流电压传感器设备、消防设备电源模块、防火漏电系统、小电流接地系统、电磁继电器保护、微机保护、智慧电力、环保监测等。

Electrical fire monitoring, current and voltage sensor equipment, fire equipment power module, fire leakage system, small current grounding system, electromagnetic relay protection, microcomputer protection, intelligent power, environmental monitoring, etc.

> 性能指标 Performance index

电气参数 Electrical parameters		机械参数 Mechanical parameters	
工作频率 Working frequency	50~400Hz	外壳 Shell	ABS, 阻燃等级94-V0 ABS, Flame retardant grade 94-V0
额定输入 Rated input	5A~800A	骨架 Skeleton	PBT
测量范围 Measuring range	10%In~130%In	铁芯 Iron core	镍钢或纳米晶 Nickel or nanocrystalline
额定输出 Rated output	0~1VA或0~100mA	内部结构 Internal structure	环保型环氧树脂浇注 Environment friendly epoxy resin casting
比值差 Ratio difference	≤ ± 0.1%	施工方案 Construction plan	螺丝固定 Screw fixation
相位差 Phase difference	≤ ± 10分	工作温度 Working temperature	-12℃~ +45℃
介质强度 Dielectric strength	2.5KV/1mA/1min	环境湿度 Ambient humidity	≤ 85%
绝缘电阻 Insulation resistance	DC500V/1000MΩ /min	接线方式 Connection mode	端子型/屏蔽绞线1.5米 Terminal type / shielded strand 1.5m

> 外形及安装尺寸 Outline and installation dimensions



三相电流互感器

THREE PHASE CURRENT TRANSFORMER

物联网电流传感器生产商

IOT CURRENT SENSOR MANUFACTURER



专业，方能体现品质和效率
Professional, can reflect quality and efficiency

> 产品概述 Product overview

三相电流互感器，专为采集电流信号而设计。二次电流为mA级，且必须用于穿芯方式，严格按照标准NSX和NXM塑壳断路器穿排尺寸设计。本系列产品测量范围宽，额定一次电流范围：1A~800A额定二次电流范围：20mA~1A，优异先进的制作工艺。保证了其准确度等级，可靠性等技术要求，本系列产品满足GB 28184-2011、GB/T20840.1.2和GB14287.2-2014的要求。

Three-phase current transformer, designed for collecting current signals. The secondary current is mA level and must be used in the core threading mode, which is designed strictly in accordance with the standard NSX and NXM MCCB routing dimensions. This series of products has a wide measuring range, rated primary current range: 1A~800A rated secondary current range: 20mA~1A, excellent advanced production process. To ensure its accuracy level, reliability and other technical requirements, this series of products meet the requirements of GB 28184-2011, GB/T20840.1.2 and GB14287.2-2014.

> 产品特点 Product features

- ◆ 铜排 线缆 都能穿过
- ◆ 穿芯结构、阻燃性环氧树脂浇注、稳定性好
- ◆ 采用高导磁镍钢或纳米晶，线性度好、灵敏度高
- ◆ 优异的平衡特性、并具有极强的抗电磁场干扰能力
- ◆ All copper wires and cables can pass through
- ◆ Core piercing structure, flame retardant epoxy resin casting, good stability
- ◆ High magnetic conductivity nickel steel or nanocrystalline, good linearity and high sensitivity
- ◆ Excellent balance characteristics and strong anti electromagnetic interference ability

> 应用范围 Scope of application

电气火灾监控、电流电压传感器设备、消防设备电源模块、防火漏电系统、小电流接地系统、电磁继电器保护、微机保护、智慧电力、环保监测等。

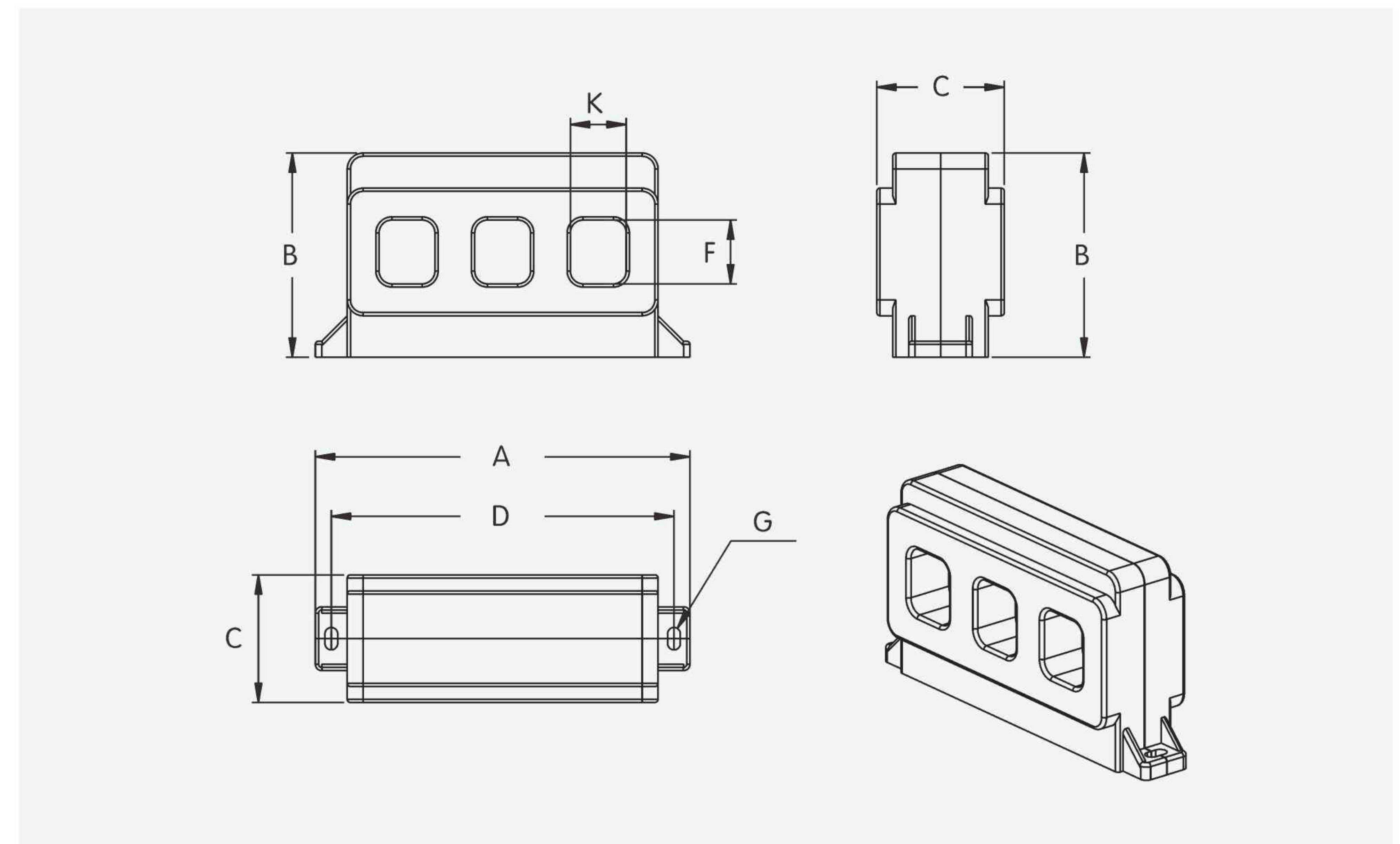
Electrical fire monitoring, current and voltage sensor equipment, fire equipment power module, fire leakage system, small current grounding system, electromagnetic relay protection, microcomputer protection, intelligent power, environmental monitoring, etc.

> 性能指标 Performance index

电气参数 Electrical parameters		机械参数 Mechanical parameters	
工作频率 Working frequency	50~400Hz	外壳 Shell	ABS, 阻燃等级94-V0 ABS, Flame retardant grade 94-V0
额定输入 Rated input	5A~800A	骨架 Skeleton	PBT
测量范围 Measuring range	10%In~130%In	铁芯 Iron core	镍钢或纳米晶 Nickel or nanocrystalline
额定输出 Rated output	0~1VA或0~100mA	内部结构 Internal structure	环保型环氧树脂浇注 Environment friendly epoxy resin casting
比值差 Ratio difference	≤ ± 0.1%	施工方案 Construction plan	螺丝固定 Screw fixation
相位差 Phase difference	≤ ± 10分	工作温度 Working temperature	-12℃~ +45℃
介质强度 Dielectric strength	2.5KV/1mA/1min	环境湿度 Ambient humidity	≤ 85%
绝缘电阻 Insulation resistance	DC500V/1000MΩ /min	接线方式 Connection mode	端子型/屏蔽绞线1.5米 Terminal type / shielded strand 1.5m

> 外形及安装尺寸 Outline and installation dimensions

型号规格 Model and specification	额定输入(A) Rated input	额定输出 (mA/v) Rated output	精度等级 Accuracy class	外形尺寸 Dimensions(mm)						
				A	B	K	F	C	D	G
CT3-100	1A 50A 100A 250A 400A 600A 800A	0~1V 50mA	0.1 0.2	118	60	18	20	30	108	M4*7
CT3-250				136	63	22	25	35	123	M4*7
CT3-400		180	93	32	35	40	166	M4*7		
		CT3-630	210	108	42	40	40	196	M4*7	



三相电流互感器

THREE PHASE CURRENT TRANSFORMER

物联网电流传感器生产商

IOT CURRENT SENSOR MANUFACTURER



专业，方能体现品质和效率
Professional, can reflect quality and efficiency

> 产品概述 Product overview

三相电流互感器，专为采集电流信号而设计。二次电流为mA级，且必须用于穿芯方式，严格按照标准NSX和NXM塑壳断路器穿排尺寸设计。本系列产品测量范围宽，额定一次电流范围：1A~800A额定二次电流范围：20mA~1A，优异先进的制作工艺。保证了其准确度等级，可靠性等技术要求，本系列产品满足GB 28184-2011、GB/T20840.1.2和GB14287.2-2014的要求。

Three-phase current transformer, designed for collecting current signals. The secondary current is mA level and must be used in the core threading mode, which is designed strictly in accordance with the standard NSX and NXM MCCB routing dimensions. This series of products has a wide measuring range, rated primary current range: 1A~800A rated secondary current range: 20mA~1A, excellent advanced production process. To ensure its accuracy level, reliability and other technical requirements, this series of products meet the requirements of GB 28184-2011, GB/T20840.1.2 and GB14287.2-2014.

> 产品特点 Product features

- ◆ 铜排 线缆 都能穿过
- ◆ 穿芯结构、阻燃性环氧树脂浇注、稳定性好
- ◆ 采用高导磁镍钢或纳米晶，线性度好、灵敏度高
- ◆ 优异的平衡特性、并具有极强的抗电磁场干扰能力
- ◆ All copper wires and cables can pass through
- ◆ Core piercing structure, flame retardant epoxy resin casting, good stability
- ◆ High magnetic conductivity nickel steel or nanocrystalline, good linearity and high sensitivity
- ◆ Excellent balance characteristics and strong anti electromagnetic interference ability

> 应用范围 Scope of application

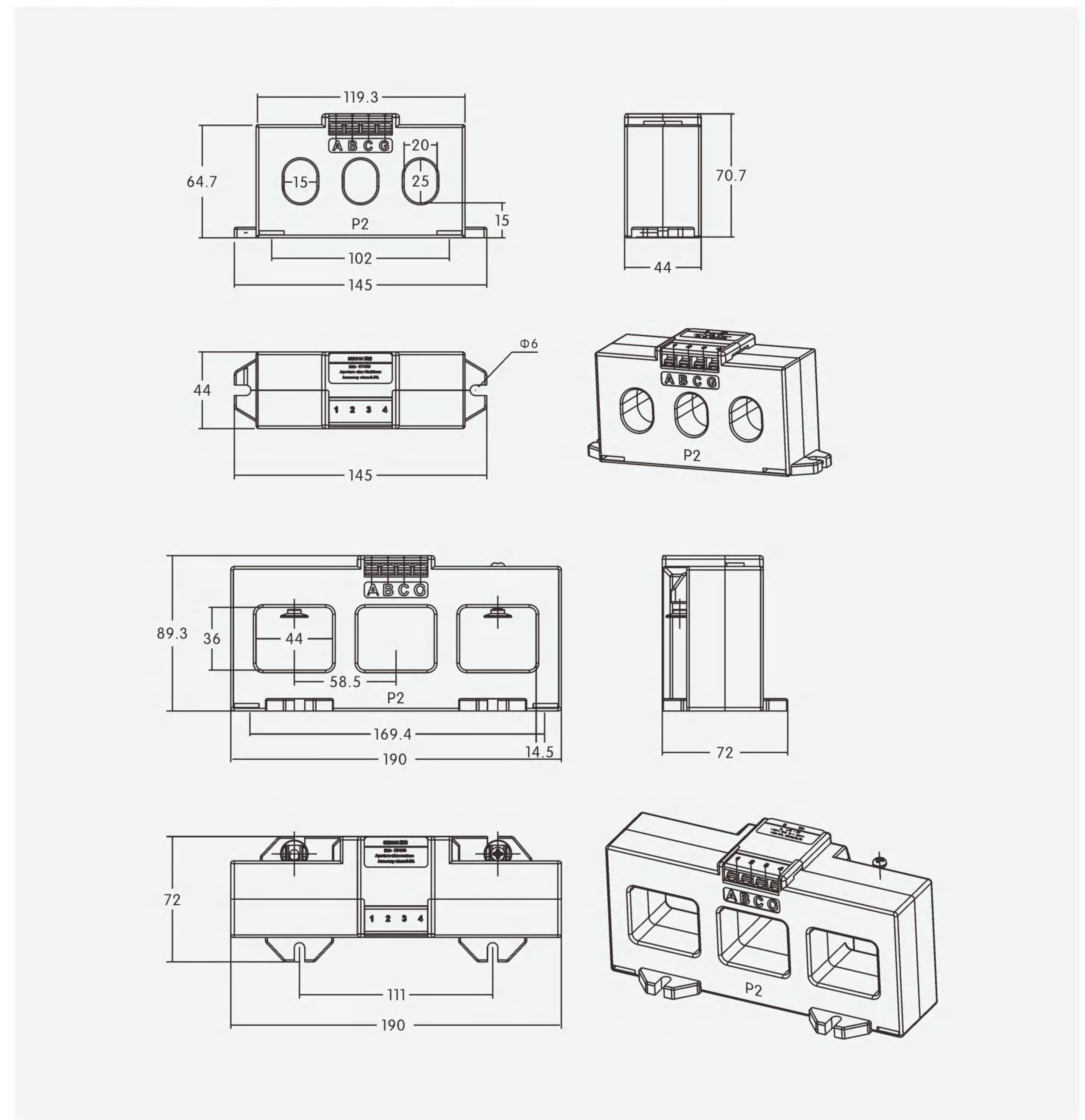
电气火灾监控、电流电压传感器设备、消防设备电源模块、防火漏电系统、小电流接地系统、电磁继电器保护、微机保护、智慧电力、环保监测等。

Electrical fire monitoring, current and voltage sensor equipment, fire equipment power module, fire leakage system, small current grounding system, electromagnetic relay protection, microcomputer protection, intelligent power, environmental monitoring, etc.

> 性能指标 Performance index

电气参数 Electrical parameters		机械参数 Mechanical parameters	
工作频率 Working frequency	50~400Hz	外壳 Shell	ABS, 阻燃等级94-V0 ABS, Flame retardant grade 94-V0
额定输入 Rated input	5A~800A	骨架 Skeleton	PBT
测量范围 Measuring range	10%In~130%In	铁芯 Iron core	镍钢或纳米晶 Nickel or nanocrystalline
额定输出 Rated output	0~1VA或0~100mA	内部结构 Internal structure	环保型环氧树脂浇注 Environment friendly epoxy resin casting
比值差 Ratio difference	≤ ± 0.1%	施工方案 Construction plan	螺丝固定 Screw fixation
相位差 Phase difference	≤ ± 10分	工作温度 Working temperature	-12℃~ +45℃
介质强度 Dielectric strength	2.5KV/1mA/1min	环境湿度 Ambient humidity	≤ 85%
绝缘电阻 Insulation resistance	DC500V/1000MΩ /min	接线方式 Connection mode	端子型/屏蔽绞线1.5米 Terminal type / shielded strand 1.5m

> 外形及安装尺寸 Outline and installation dimensions



三相电流互感器

THREE PHASE CURRENT TRANSFORMER

物联网电流传感器生产商

IOT CURRENT SENSOR MANUFACTURER



专业，方能体现品质和效率
Professional, can reflect quality and efficiency

CT5 三相电流互感器 THREE PHASE CURRENT TRANSFORMER YUCHENG

> 产品概述 Product overview

三相电流互感器，专为采集电流信号而设计。二次电流为A级，且必须用于穿芯方式，严格按照标准NSX和NXM塑壳断路器穿排尺寸设计。本系列产品测量范围宽，额定一次电流范围：1~1000A额定二次电流范围：20mA~5A，优异先进的制作工艺。保证其准确度等级，可靠性等技术要求，本系列产品满足GB28184-2011、GB/T20840.1.2和GB14287.2-2014的要求。

Three-phase current transformer designed for collecting current signals. The secondary current is class A and must be used in the core threading mode, which is designed in strict accordance with the standard NSX and NXM MCCB routing dimensions. This series of products has a wide measuring range, rated primary current range: 1~1000A rated secondary current range: 20mA~5A, excellent advanced production process. To ensure its accuracy level, reliability and other technical requirements, this series of products meet the requirements of GB28184-2011, GB/T20840.1.2 and GB14287.2-2014.

> 产品特点 Product features

- ◆ 铜排 线缆 都能穿过
- ◆ 穿芯结构、阻燃性环氧树脂浇注、稳定性好
- ◆ 采用高导磁镍钢或纳米晶，线性度好、灵敏度高
- ◆ 优异的平衡特性、并具有极强的抗电磁场干扰能力
- ◆ All copper wires and cables can pass through
- ◆ Core piercing structure, flame retardant epoxy resin casting, good stability
- ◆ High magnetic conductivity nickel steel or nanocrystalline, good linearity and high sensitivity
- ◆ Excellent balance characteristics and strong anti electromagnetic interference ability

> 应用范围 Scope of application

电气火灾监控、电流电压传感器设备、消防设备电源模块、防火漏电系统、小电流接地系统、电磁继电器保护、微机保护、智慧电力、环保监测等。

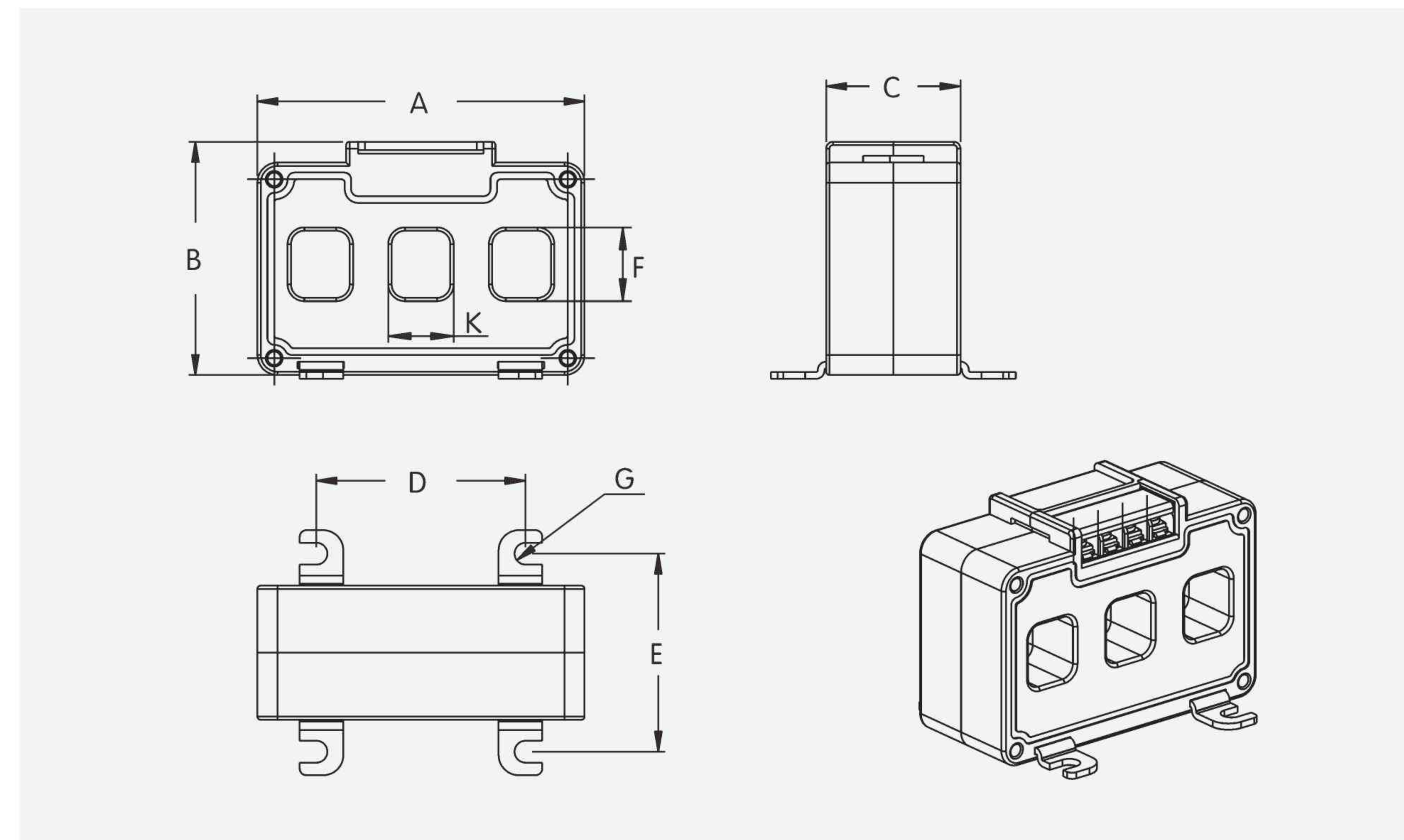
Electrical fire monitoring, current and voltage sensor equipment, fire equipment power module, fire leakage system, small current grounding system, electromagnetic relay protection, microcomputer protection, intelligent power, environmental monitoring, etc.

> 性能指标 Performance index

电气参数 Electrical parameters		机械参数 Mechanical parameters	
工作频率 Working frequency	50~400Hz	外壳 Shell	ABS, 阻燃等级94-V0 ABS, Flame retardant grade 94-V0
额定输入 Rated input	50A~800A	骨架 Skeleton	PBT
测量范围 Measuring range	10%In~130%In	铁芯 Iron core	镍钢或纳米晶 Nickel or nanocrystalline
额定输出 Rated output	0~1VA或0~100mA	内部结构 Internal structure	环保型环氧树脂浇注 Environment friendly epoxy resin casting
比值差 Ratio difference	≤ ± 0.1%	施工方案 Construction plan	螺丝固定 Screw fixation
相位差 Phase difference	≤ ± 10分	工作温度 Working temperature	-12℃~ +45℃
介质强度 Dielectric strength	2.5KV/1mA/1min	环境湿度 Ambient humidity	≤ 85%
绝缘电阻 Insulation resistance	DC500V/1000MΩ /min	接线方式 Connection mode	端子型/屏蔽绞线1.5米 Terminal type / shielded strand 1.5m

> 外形及安装尺寸 Outline and installation dimensions

型号规格 Model and specification	额定输入(A) Rated input	额定输出 (mA/v) Rated output	精度等级 Accuracy class	外形尺寸 Dimensions(mm)							
				A	B	K	F	C	D	E	G
CT5-100	0~100A	0~1V (0~5A)	0.1 0.2 0.5 1.0	97.5	69.5	17.5	20	40	62	59	M6
CT5-250	0~250A			110	77	20	25	40	72	59	M6
CT5-400	0~400A			150	101	30	35	40	108	59	M6
CT5-800	0~800A			212	88	45	34	40	179	58	M6

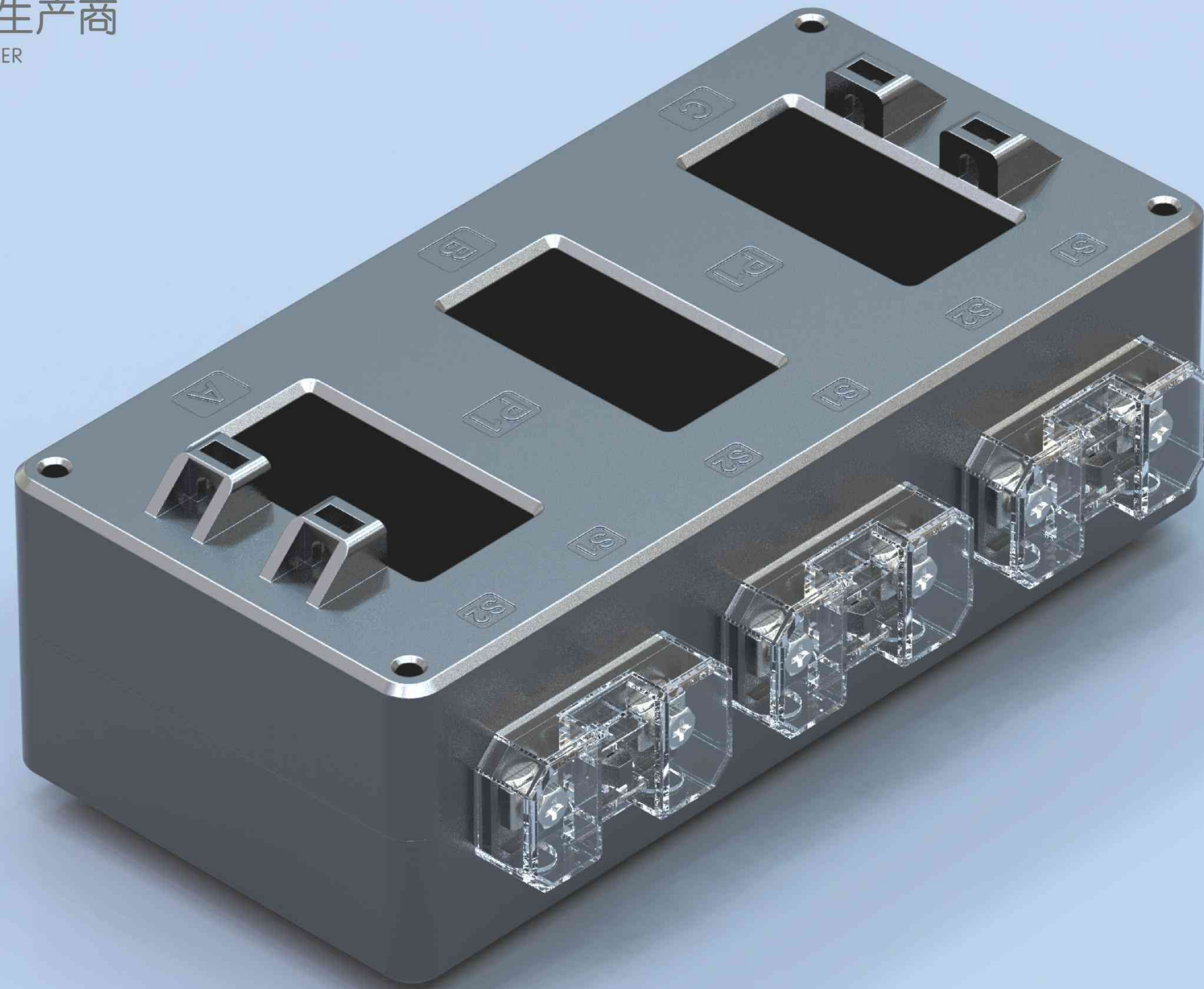


三相电流互感器

THREE PHASE CURRENT TRANSFORMER

物联网电流传感器生产商

IOT CURRENT SENSOR MANUFACTURER



专业，方能体现品质和效率
Professional, can reflect quality and efficiency

> 产品概述 Product overview

三相电流互感器，专为采集电流信号而设计。二次电流为A级，且必须用于穿芯方式，严格按照标准NSX和NXM塑壳断路器穿排尺寸设计。本系列产品测量范围宽，额定一次电流范围：5~6000A额定二次电流范围：20MA~5A，优异先进的制作工艺。保证其准确度等级，可靠性等技术要求，本系列产品满足GB28184-2011、GB/T20840.1.2和GB14287.2-2014的要求。

Three-phase current transformer designed for collecting current signals. The secondary current is class A and must be used in the core threading mode, which is designed in strict accordance with the standard NSX and NXM MCCB routing dimensions. This series of products has a wide measuring range, rated primary current range: 5~6000A rated secondary current range: 20MA~5A, excellent advanced production process. To ensure its accuracy level, reliability and other technical requirements, this series of products meet the requirements of GB28184-2011, GB/T20840.1.2 and GB14287.2-2014.

> 产品特点 Product features

- ◆ 铜排 线缆 都能穿过
- ◆ 穿芯结构、阻燃性环氧树脂浇注、稳定性好
- ◆ 采用高导磁镍钢或纳米晶，线性度好、灵敏度高
- ◆ 优异的平衡特性、并具有极强的抗电磁场干扰能力
- ◆ All copper wires and cables can pass through
- ◆ Core piercing structure, flame retardant epoxy resin casting, good stability
- ◆ High magnetic conductivity nickel steel or nanocrystalline, good linearity and high sensitivity
- ◆ Excellent balance characteristics and strong anti electromagnetic interference ability

> 应用范围 Scope of application

电气火灾监控、电流电压传感器设备、消防设备电源模块、防火漏电系统、小电流接地系统、电磁继电器保护、微机保护、智慧电力、环保监测等。

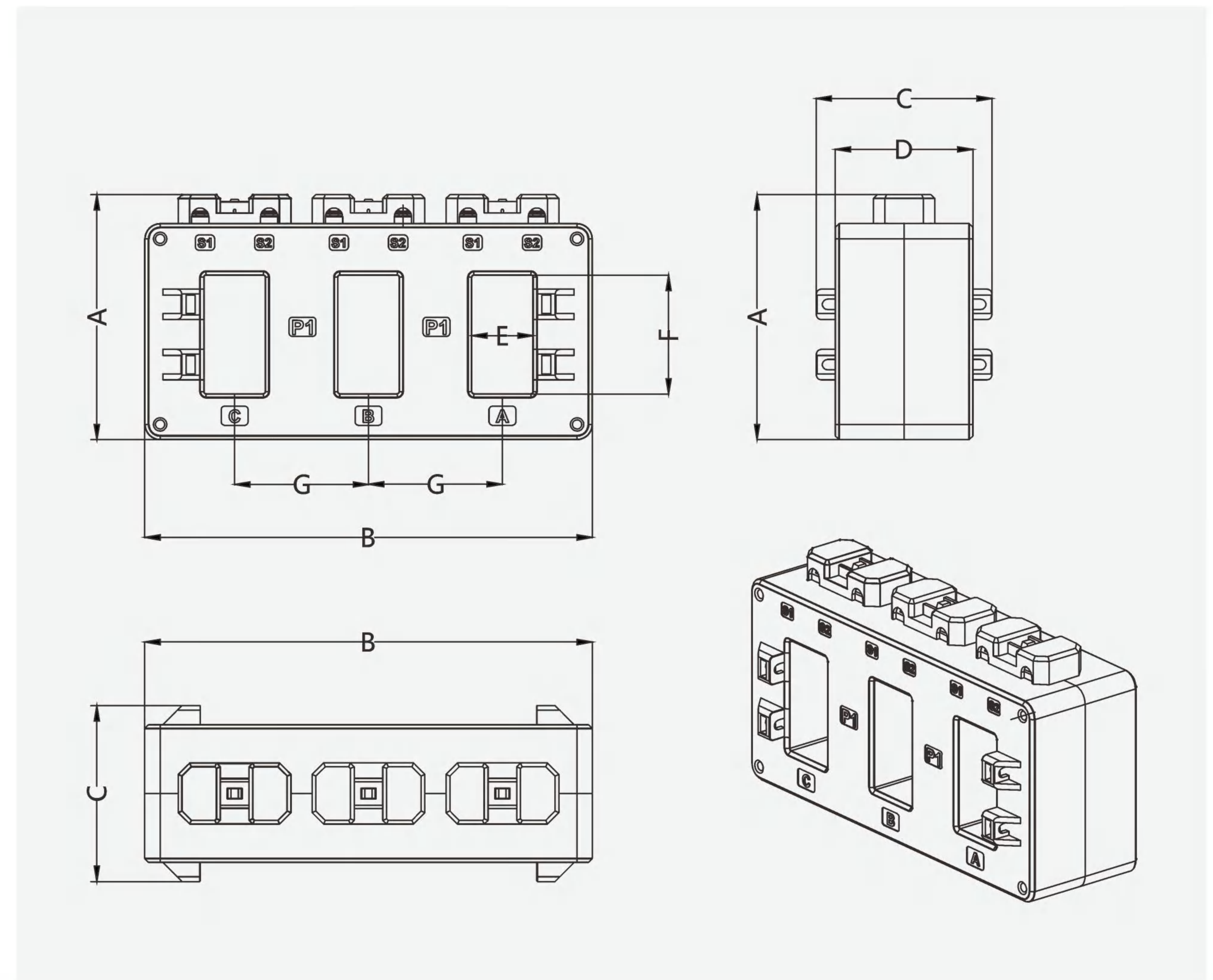
Electrical fire monitoring, current and voltage sensor equipment, fire equipment power module, fire leakage system, small current grounding system, electromagnetic relay protection, microcomputer protection, intelligent power, environmental monitoring, etc.

> 性能指标 Performance index

电气参数 Electrical parameters		机械参数 Mechanical parameters	
工作频率 Working frequency	50~400Hz	外壳 Shell	ABS, 阻燃等级94-V0 ABS, Flame retardant grade 94-V0
额定输入 Rated input	5A~6000A	骨架 Skeleton	PBT
测量范围 Measuring range	10%In~130%In	铁芯 Iron core	镍钢或纳米晶 Nickel or nanocrystalline
额定输出 Rated output	0~1VA或0~100mA	内部结构 Internal structure	环保型环氧树脂浇注 Environment friendly epoxy resin casting
比值差 Ratio difference	≤ ± 0.1%	施工方案 Construction plan	螺丝固定 Screw fixation
相位差 Phase difference	≤ ± 10分	工作温度 Working temperature	-12℃~ +45℃
介质强度 Dielectric strength	2.5KV/1mA/1min	环境湿度 Ambient humidity	≤ 85%
绝缘电阻 Insulation resistance	DC500V/1000MΩ /min	接线方式 Connection mode	端子型/屏蔽绞线1.5米 Terminal type / shielded strand 1.5m

> 外形及安装尺寸 Outline and installation dimensions

型号规格 Model and specification	额定输入(A) Rated input	额定输出 (mA/v) Rated output	精度等级 Accuracy class	外形尺寸 Dimensions(mm)						
				A	B	C	D	E	F	G
CT9	5~6000A	0~5V (0~5A)	0.5 0.2S	128	234	92	72	32	62	70

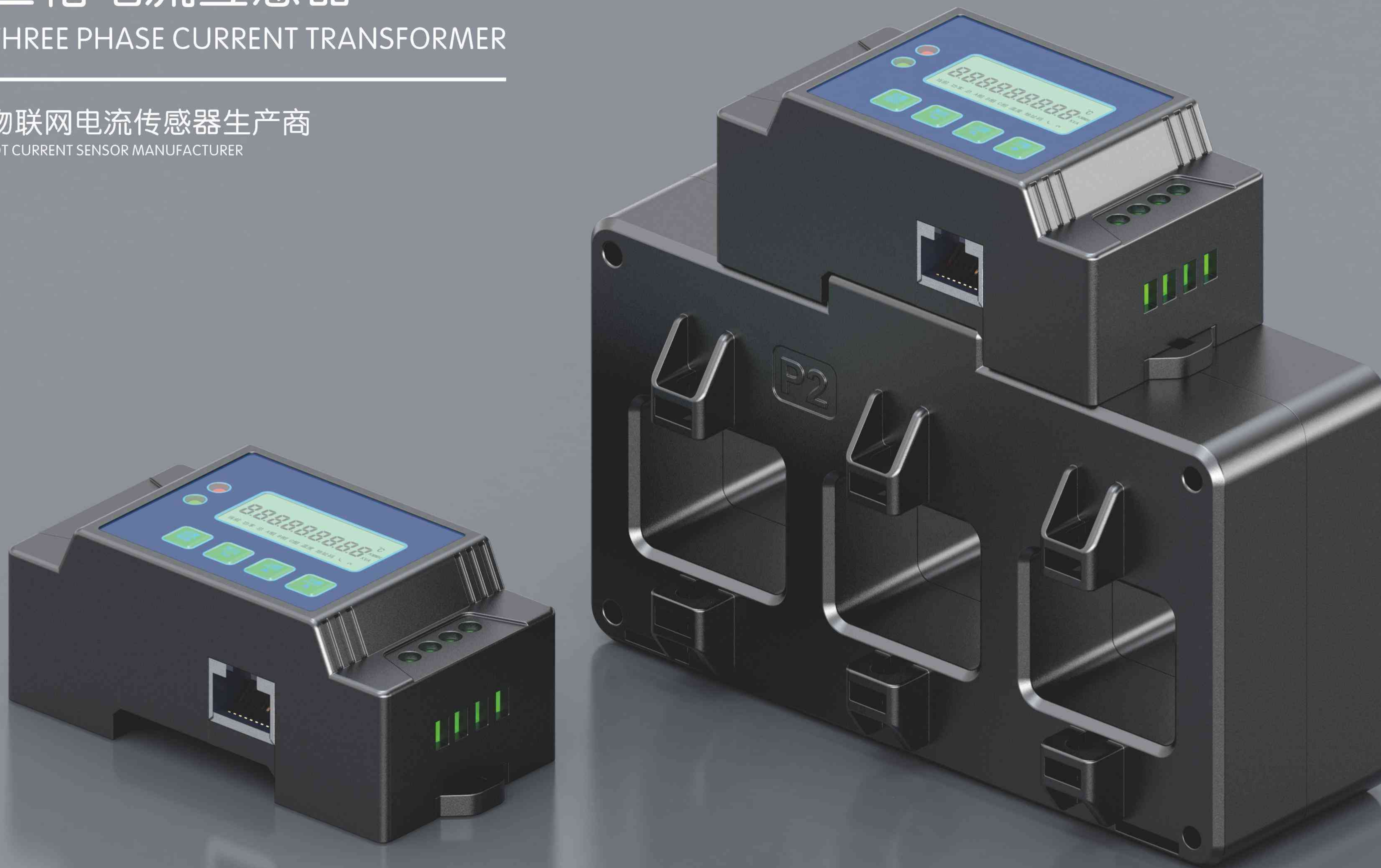


三相电流互感器

THREE PHASE CURRENT TRANSFORMER

物联网电流传感器生产商

IOT CURRENT SENSOR MANUFACTURER



专业，方能体现品质和效率
Professional, can reflect quality and efficiency

三相数字电流互感器

THREE PHASE DIGITAL CURRENT TRANSFORMER

物联网电流传感器生产商

IOT CURRENT SENSOR MANUFACTURER



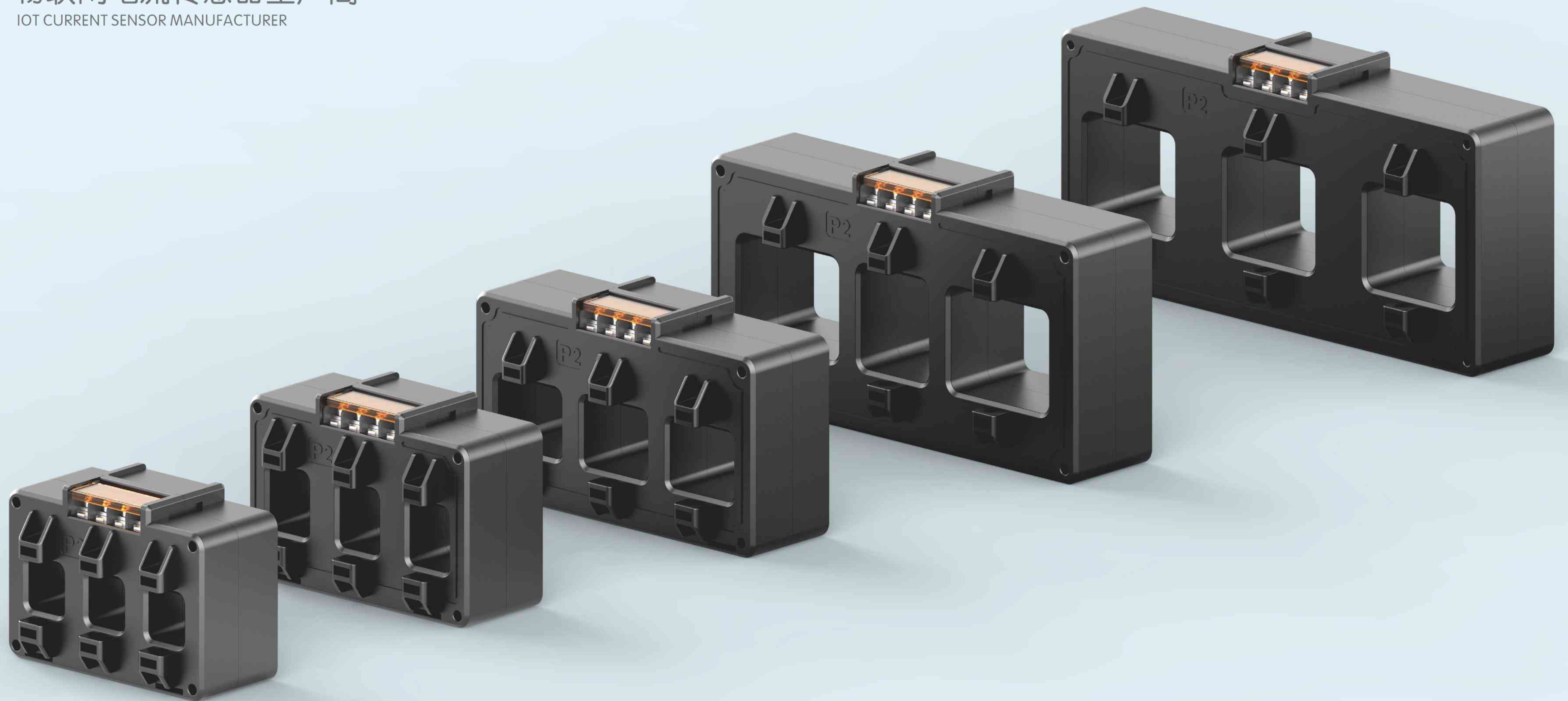
专业，方能体现品质和效率
Professional, can reflect quality and efficiency

三相电流互感器

THREE PHASE CURRENT TRANSFORMER

物联网电流传感器生产商

IOT CURRENT SENSOR MANUFACTURER



专业，方能体现品质和效率
Professional, can reflect quality and efficiency

CT6 三相电流互感器 THREE PHASE CURRENT TRANSFORMER YUCHENG

> 产品概述 Product overview

三相电流互感器，专为采集电流信号而设计。二次电流为A级，且必须用于穿芯方式，严格按照标准NSX和NXM塑壳断路器穿排尺寸设计。本系列产品测量范围宽，额定一次电流范围：0~800A额定二次电流范围：20MA~5A，优异先进的制作工艺。保证其准确度等级，可靠性等技术要求，本系列产品满足GB28184-2011、GB/T20840.1.2和GB14287.2-2014的要求。

Three-phase current transformer designed for collecting current signals. The secondary current is class A and must be used in the core threading mode, which is designed in strict accordance with the standard NSX and NXM MCCB routing dimensions. This series of products has a wide measuring range, rated primary current range: 0~800A rated secondary current range: 20MA~5A, excellent advanced production process. To ensure its accuracy level, reliability and other technical requirements, this series of products meet the requirements of GB28184-2011, GB/T20840.1.2 and GB14287.2-2014.

> 产品特点 Product features

- ◆ 铜排 线缆 都能穿过
- ◆ 穿芯结构、阻燃性环氧树脂浇注、稳定性好
- ◆ 采用高导磁镍钢或纳米晶，线性度好、灵敏度高
- ◆ 优异的平衡特性、并具有极强的抗电磁场干扰能力
- ◆ All copper wires and cables can pass through
- ◆ Core piercing structure, flame retardant epoxy resin casting, good stability
- ◆ High magnetic conductivity nickel steel or nanocrystalline, good linearity and high sensitivity
- ◆ Excellent balance characteristics and strong anti electromagnetic interference ability

> 应用范围 Scope of application

电气火灾监控、电流电压传感器设备、消防设备电源模块、防火漏电系统、小电流接地系统、电磁继电器保护、微机保护、智慧电力、环保监测等。

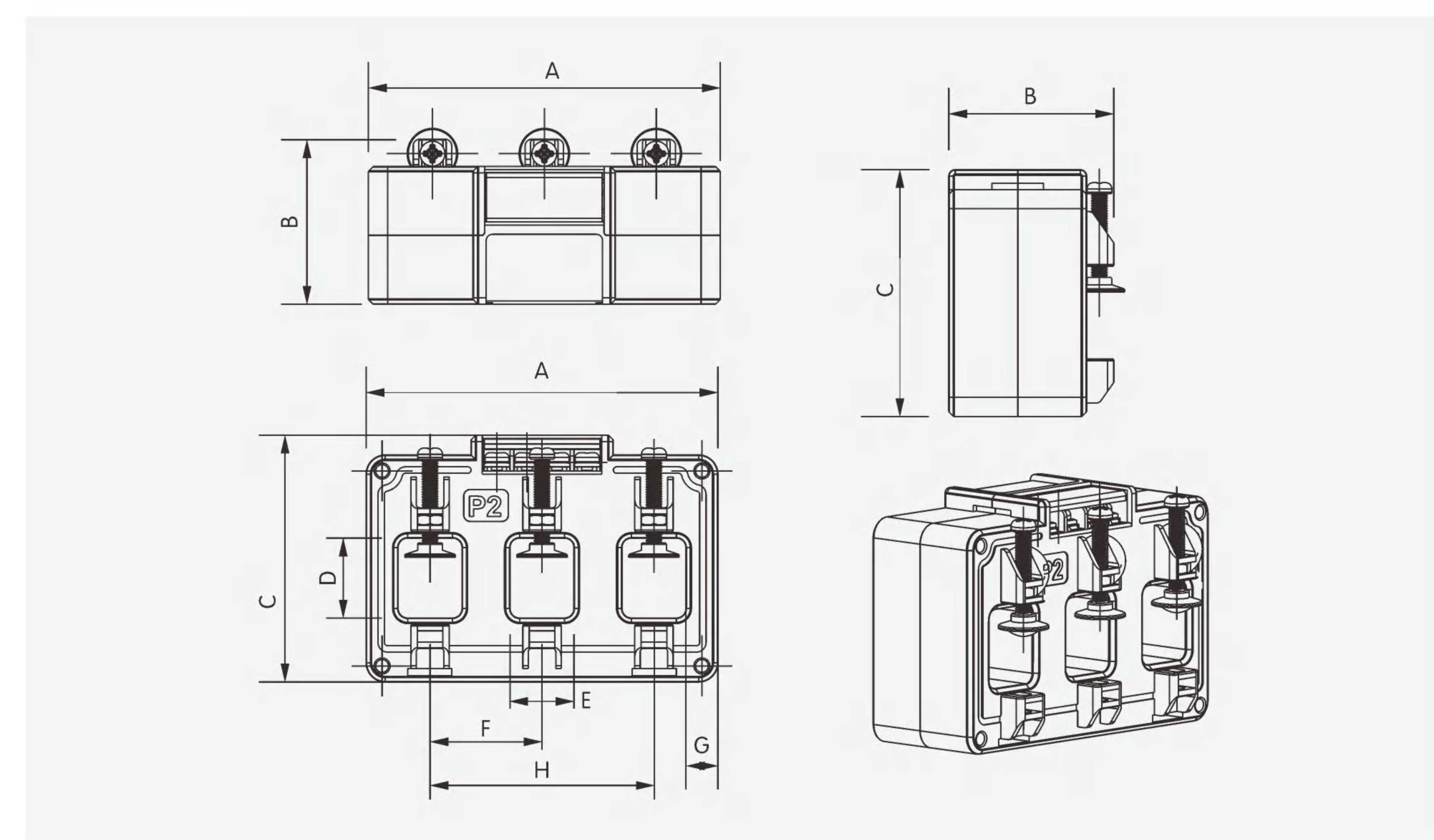
Electrical fire monitoring, current and voltage sensor equipment, fire equipment power module, fire leakage system, small current grounding system, electromagnetic relay protection, microcomputer protection, intelligent power, environmental monitoring, etc.

> 性能指标 Performance index

电气参数 Electrical parameters		机械参数 Mechanical parameters	
工作频率 Working frequency	50~400Hz	外壳 Shell	ABS, 阻燃等级94-V0 ABS, Flame retardant grade 94-V0
额定输入 Rated input	0A~800A	骨架 Skeleton	PBT
测量范围 Measuring range	10%In~130%In	铁芯 Iron core	镍钢或纳米晶 Nickel or nanocrystalline
额定输出 Rated output	0~1VA或0~100mA	内部结构 Internal structure	环保型环氧树脂浇注 Environment friendly epoxy resin casting
比值差 Ratio difference	≤ ± 0.1%	施工方案 Construction plan	螺丝固定 Screw fixation
相位差 Phase difference	≤ ± 10分	工作温度 Working temperature	-12℃~ +45℃
介质强度 Dielectric strength	2.5KV/1mA/1min	环境湿度 Ambient humidity	≤ 85%
绝缘电阻 Insulation resistance	DC500V/1000MΩ /min	接线方式 Connection mode	端子型/屏蔽绞线1.5米 Terminal type / shielded strand 1.5m

> 外形及安装尺寸 Outline and installation dimensions

型号规格 Model and specification	额定输入(A) Rated input	额定输出 (mA/v) Rated output	精度等级 Accuracy class	外形尺寸 Dimensions(mm)							
				A	B	C	D	E	F	G	H
CT6-100	0~100A	0~1V (0~5A)	0.1 0.2 0.5 1.0	98	51.6	71.5	20	18	30	10	65
CT6-250	0~250A			110	51.6	77.2	25	20	35	10	70
CT6-400	0~400A			140	51.6	84	27	32	43	10	108
CT6-600	0~600A			184	51.6	100	40	49	52	15	152
CT6-800	0~800A			210	51.6	105	40	44	70	13	177

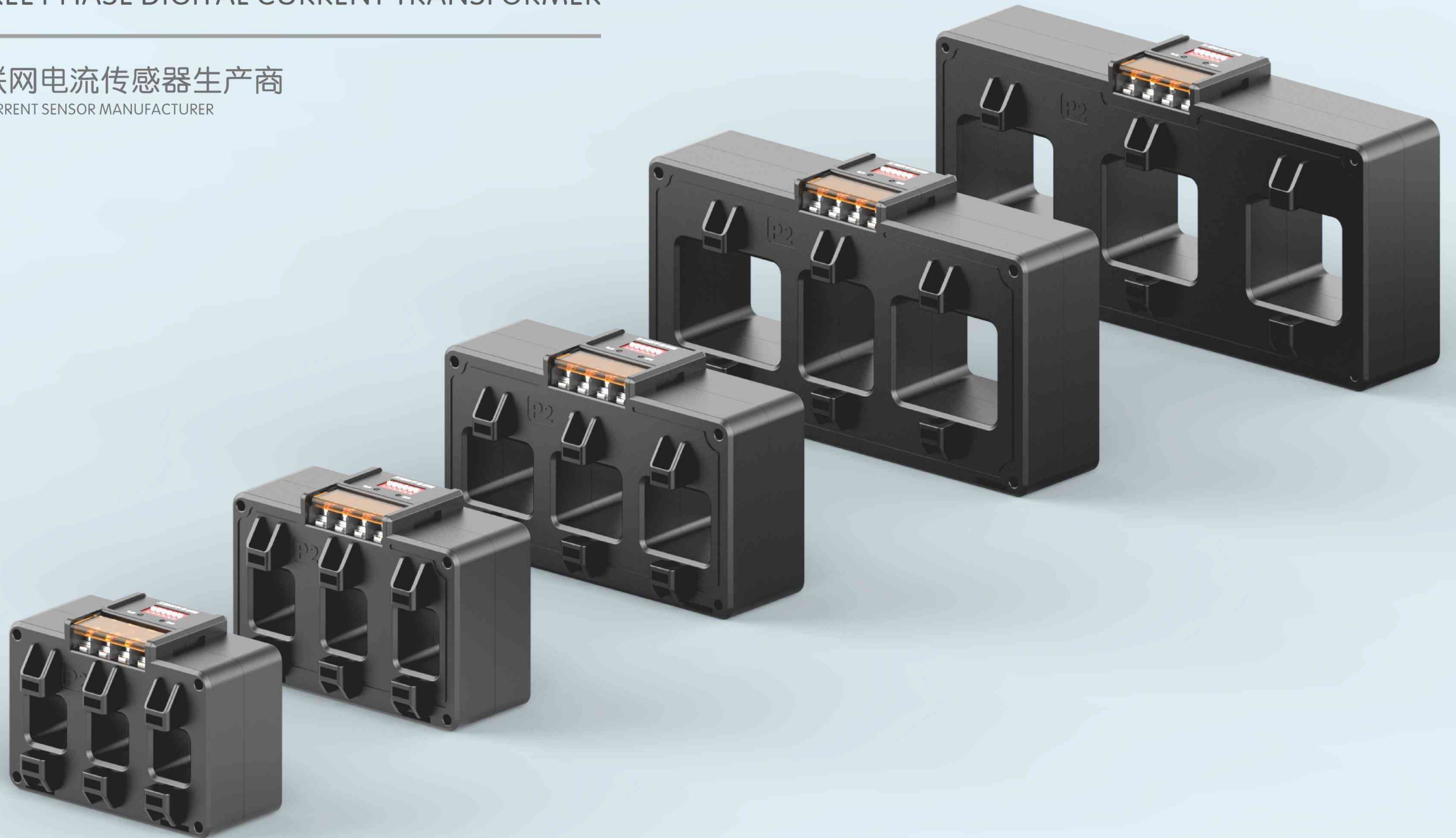


三相数字电流互感器

THREE PHASE DIGITAL CURRENT TRANSFORMER

物联网电流传感器生产商

IOT CURRENT SENSOR MANUFACTURER



专业，方能体现品质和效率
Professional, can reflect quality and efficiency

> 产品概述 Product overview

三相数字电流互感器，专为采集电流信号而设计。二次电流为A级，且必须用于穿芯方式，严格按照标准NSX和NXM塑壳断路器穿排尺寸设计。本系列产品测量范围宽，额定一次电流范围：0~800A额定二次电流范围：20mA~5A，优异先进的制作工艺。保证其准确度等级，可靠性等技术要求，本系列产品满足GB28184-2011、GB/T20840.1.2和GB14287.2-2014的要求。

Three-phase digital current transformer designed for collecting current signals. The secondary current is class A and must be used in the core threading mode, which is designed in strict accordance with the standard NSX and NXM MCCB routing dimensions. This series of products has a wide measuring range, rated primary current range: 0~800A rated secondary current range: 20mA~5A, excellent advanced production process. To ensure its accuracy level, reliability and other technical requirements, this series of products meet the requirements of GB28184-2011, GB/T20840.1.2 and GB14287.2-2014.

> 产品特点 Product features

- ◆ 铜排 线缆 都能穿过
- ◆ 穿芯结构、阻燃性环氧树脂浇注、稳定性好
- ◆ 采用高导磁镍钢或纳米晶，线性度好、灵敏度高
- ◆ 优异的平衡特性、并具有极强的抗电磁场干扰能力
- ◆ All copper wires and cables can pass through
- ◆ Core piercing structure, flame retardant epoxy resin casting, good stability
- ◆ High magnetic conductivity nickel steel or nanocrystalline, good linearity and high sensitivity
- ◆ Excellent balance characteristics and strong anti electromagnetic interference ability

> 应用范围 Scope of application

电气火灾监控、电流电压传感器设备、消防设备电源模块、防火漏电系统、小电流接地系统、电磁继电器保护、微机保护、智慧电力、环保监测等。

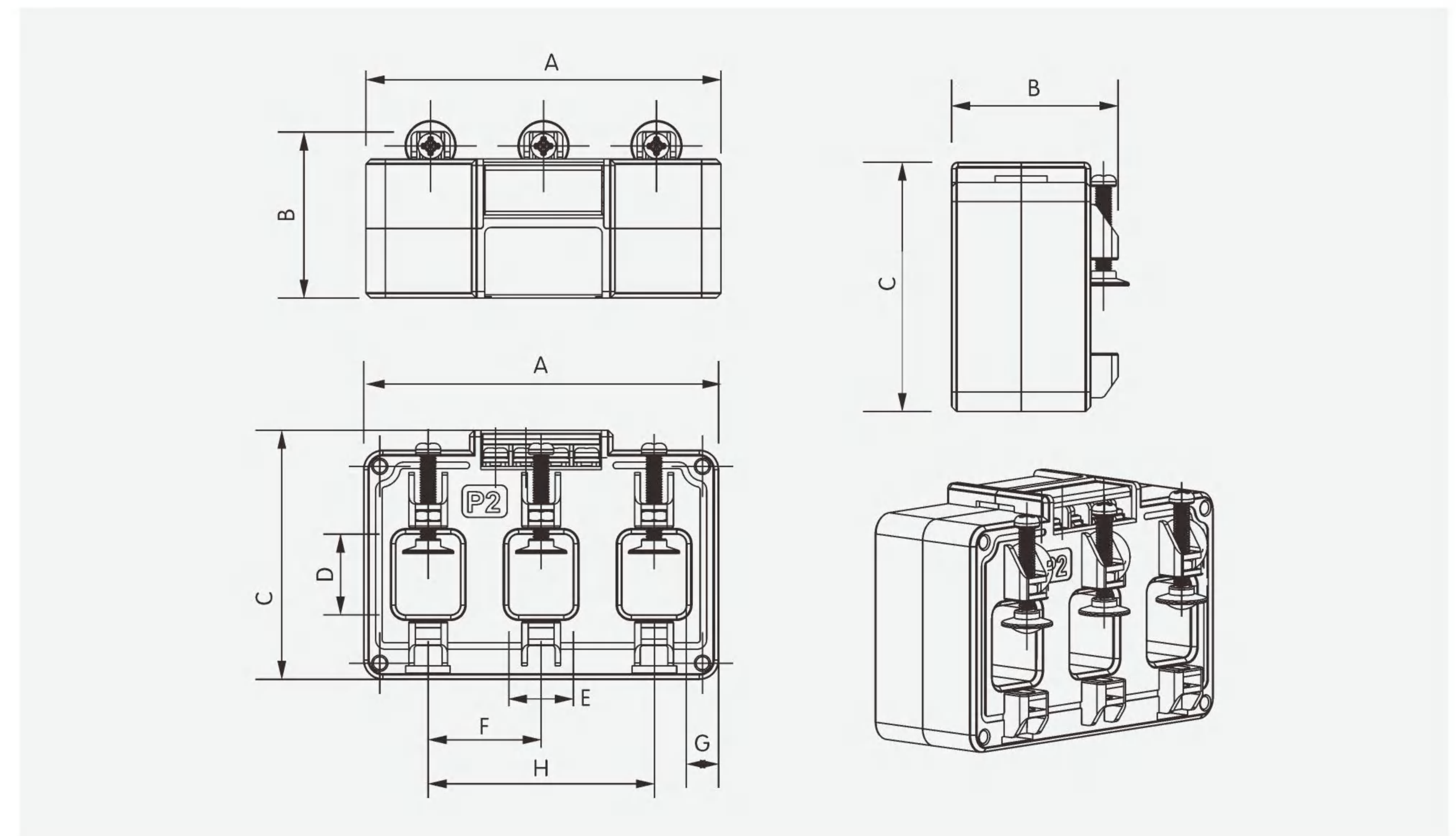
Electrical fire monitoring, current and voltage sensor equipment, fire equipment power module, fire leakage system, small current grounding system, electromagnetic relay protection, microcomputer protection, intelligent power, environmental monitoring, etc.

> 性能指标 Performance index

电气参数 Electrical parameters		机械参数 Mechanical parameters	
工作频率 Working frequency	50~400Hz	外壳 Shell	ABS, 阻燃等级94-V0 ABS, Flame retardant grade 94-V0
额定输入 Rated input	0A~800A	骨架 Skeleton	PBT
测量范围 Measuring range	10%In~130%In	铁芯 Iron core	镍钢或纳米晶 Nickel or nanocrystalline
额定输出 Rated output	DC4~20mA, DC0~20mA, 0~5V, 0~10V, 485	内部结构 Internal structure	环保型环氧树脂浇注 Environment friendly epoxy resin casting
比值差 Ratio difference	≤ ± 0.1%	施工方案 Construction plan	螺丝固定 Screw fixation
相位差 Phase difference	≤ ± 10分	工作温度 Working temperature	-12℃~ +45℃
介质强度 Dielectric strength	2.5KV/1mA/1min	环境湿度 Ambient humidity	≤ 85%
绝缘电阻 Insulation resistance	DC500V/1000MΩ /min	接线方式 Connection mode	端子型/屏蔽绞线1.5米 Terminal type / shielded strand 1.5m

> 外形及安装尺寸 Outline and installation dimensions

型号规格 Model and specification	额定输入(A) Rated input	额定输出 (mA/V) Rated output	精度等级 Accuracy class	外形尺寸 Dimensions(mm)							
				A	B	C	D	E	F	G	H
CTS6-100	0~100A			98	51.6	71.5	20	18	30	10	65
CTS6-250	0~250A	DC4~20mA DC0~20mA	0.1	110	51.6	77.2	25	20	35	10	70
CTS6-400	0~400A	0~5V 0~10V	0.2 0.5	140	51.6	84	27	32	43	10	108
CTS6-600	0~600A	RS485	1.0	184	51.6	100	40	49	52	15	152
CTS6-800	0~800A			210	51.6	105	40	40	70	13	177



三相数字电流互感器

THREE PHASE DIGITAL CURRENT TRANSFORMER

物联网电流传感器生产商

IOT CURRENT SENSOR MANUFACTURER



专业，方能体现品质和效率
Professional, can reflect quality and efficiency

CTS6-2 三相数字电流互感器 THREE PHASE DIGITAL CURRENT TRANSFORMER YUCHENG

> 产品概述 Product overview

三相数字电流互感器，专为采集电流信号而设计。二次电流为A级，且必须用于穿芯方式，严格按照标准NSX和NXM塑壳断路器穿排尺寸设计。本系列产品测量范围宽，额定一次电流范围：0~800A额定二次电流范围：20mA~5A，优异先进的制作工艺。保证其准确度等级，可靠性等技术要求，本系列产品满足GB28184-2011、GB/T20840.1.2和GB14287.2-2014的要求。

Three-phase digital current transformer designed for collecting current signals. The secondary current is class A and must be used in the core threading mode, which is designed in strict accordance with the standard NSX and NXM MCCB routing dimensions. This series of products has a wide measuring range, rated primary current range: 0~800A rated secondary current range: 20mA~5A, excellent advanced production process. To ensure its accuracy level, reliability and other technical requirements, this series of products meet the requirements of GB28184-2011, GB/T20840.1.2 and GB14287.2-2014.

> 产品特点 Product features

- ◆ 铜排 线缆 都能穿过
- ◆ 穿芯结构、阻燃性环氧树脂浇注、稳定性好
- ◆ 采用高导磁镍钢或纳米晶，线性度好、灵敏度高
- ◆ 优异的平衡特性、并具有极强的抗电磁场干扰能力
- ◆ All copper wires and cables can pass through
- ◆ Core piercing structure, flame retardant epoxy resin casting, good stability
- ◆ High magnetic conductivity nickel steel or nanocrystalline, good linearity and high sensitivity
- ◆ Excellent balance characteristics and strong anti electromagnetic interference ability

> 应用范围 Scope of application

电气火灾监控、电流电压传感器设备、消防设备电源模块、防火漏电系统、小电流接地系统、电磁继电器保护、微机保护、智慧电力、环保监测等。

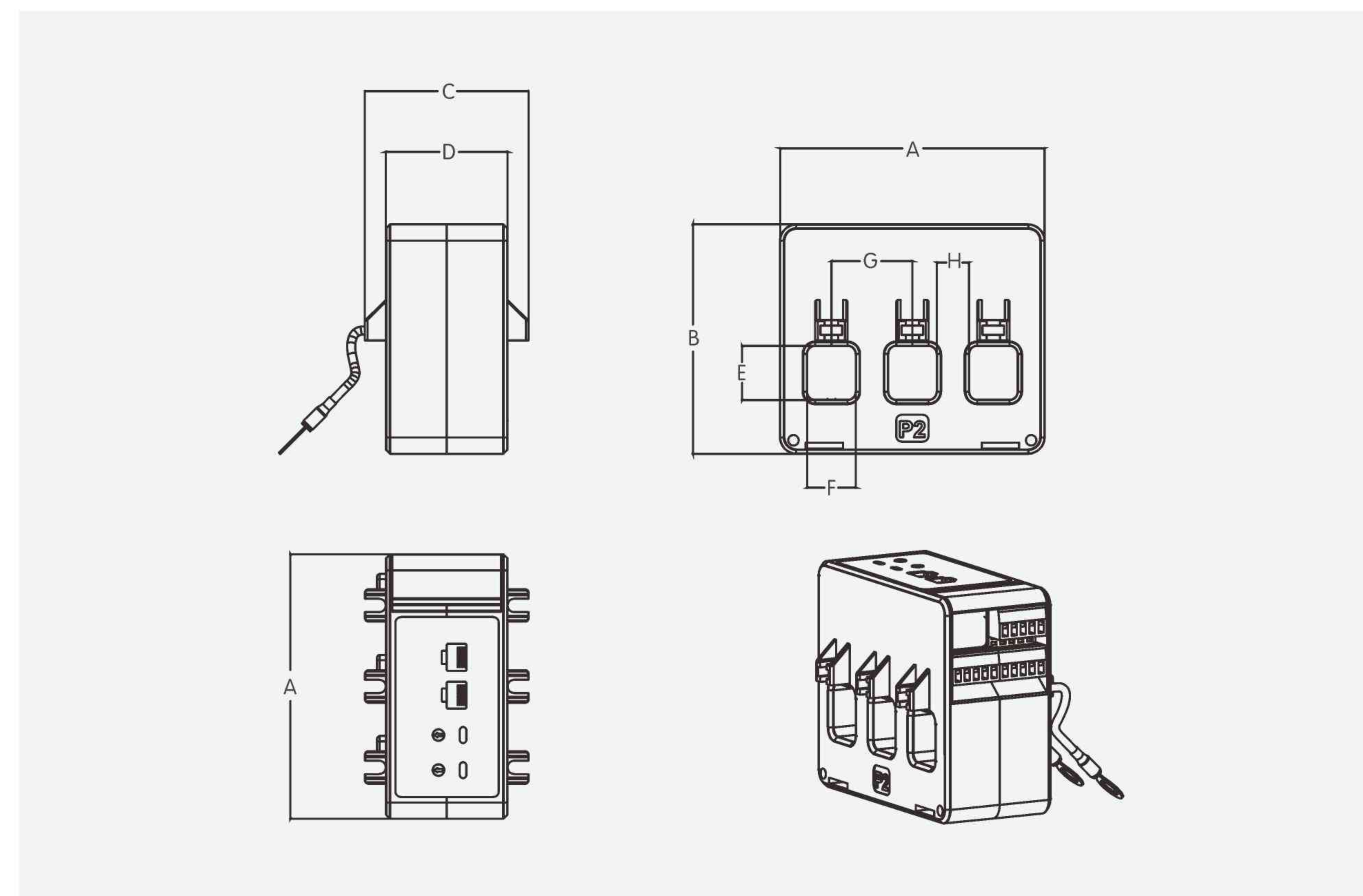
Electrical fire monitoring, current and voltage sensor equipment, fire equipment power module, fire leakage system, small current grounding system, electromagnetic relay protection, microcomputer protection, intelligent power, environmental monitoring, etc.

> 性能指标 Performance index

电气参数 Electrical parameters		机械参数 Mechanical parameters	
工作频率 Working frequency	50~400Hz	外壳 Shell	ABS, 阻燃等级94-V0 ABS, Flame retardant grade 94-V0
额定输入 Rated input	0A~800A	骨架 Skeleton	PBT
测量范围 Measuring range	10%In~130%In	铁芯 Iron core	镍钢或纳米晶 Nickel or nanocrystalline
额定输出 Rated output	DC4~20mA,DC0~20mA,0~5V,0~10V,485	内部结构 Internal structure	环保型环氧树脂浇注 Environment friendly epoxy resin casting
比值差 Ratio difference	≤ ± 0.1%	施工方案 Construction plan	螺丝固定 Screw fixation
相位差 Phase difference	≤ ± 10分	工作温度 Working temperature	-12℃~ +45℃
介质强度 Dielectric strength	2.5KV/1mA/1min	环境湿度 Ambient humidity	≤ 85%
绝缘电阻 Insulation resistance	DC500V/1000MΩ /min	接线方式 Connection mode	端子型/屏蔽绞线1.5米 Terminal type / shielded strand 1.5m

> 外形及安装尺寸 Outline and installation dimensions

型号规格 Model and specification	额定输入(A) Rated input	额定输出 (mA/v) Rated output	精度等级 Accuracy class	外形尺寸 Dimensions(mm)							
				A	B	C	D	E	F	G	H
CTS6-2/100	1~100A	0~1V 0~10mA RS485	0.2 0.5S 0.5	98	85	61	45	20	18	30	12
CTS6-2/250	1~250A			110	95	61	45	25	20	35	15
CTS6-2/400	1~400A			140	96	61	45	27	32	43	11
CTS6-2/800	1~800A			184	120	61	45	49	40	52	11

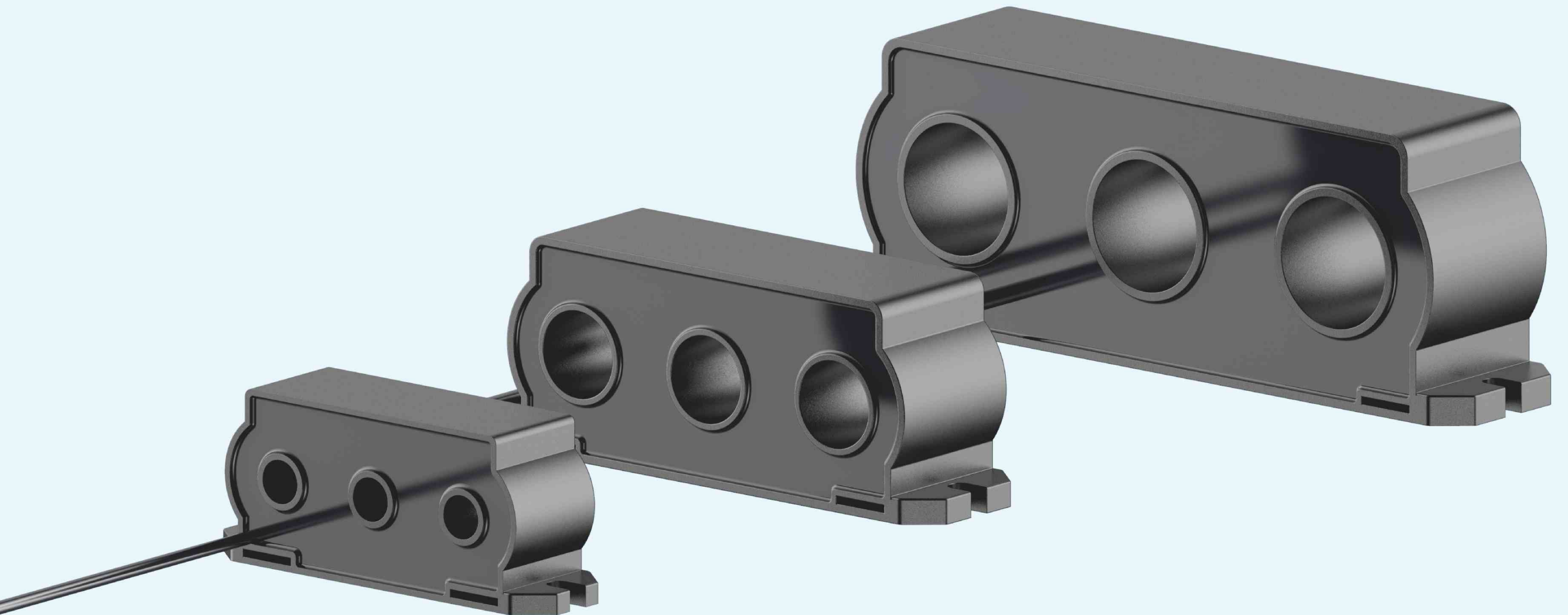


三相电流互感器

THREE PHASE CURRENT TRANSFORMER

物联网电流传感器生产商

IOT CURRENT SENSOR MANUFACTURER



专业，方能体现品质和效率
Professional, can reflect quality and efficiency

CT3A 三相电流互感器 THREE PHASE CURRENT TRANSFORMER YUCHENG

> 产品概述 Product overview

三相电流互感器，专为采集电流信号而设计。二次电流为mA级，且必须用于穿芯方式，严格按照标准NSX和NXM塑壳断路器穿排尺寸设计。本系列产品测量范围宽，额定一次电流范围：1A~800A额定二次电流范围：20MA~1A，优异先进的制作工艺。保证了其准确度等级，可靠性等技术要求，本系列产品满足GB 28184-2011和GB14287.2-2014的要求。

Three-phase current transformer, designed for collecting current signals. The secondary current is mA level and must be used in the core threading mode, which is designed strictly in accordance with the standard NSX and NXM MCCB routing dimensions. This series of products has a wide measuring range, rated primary current range: 1A~800A rated secondary current range: 20MA~1A, excellent advanced production process. To ensure its accuracy level, reliability and other technical requirements, this series of products meet the requirements of GB 28184-2011, GB14287.2-2014.

> 产品特点 Product features

- ◆ 铜排 线缆 都能穿过
- ◆ 穿芯结构、阻燃性环氧树脂浇注、稳定性好
- ◆ 采用高导磁镍钢或纳米晶，线性度好、灵敏度高
- ◆ 优异的平衡特性、并具有极强的抗电磁场干扰能力
- ◆ All copper wires and cables can pass through
- ◆ Core piercing structure, flame retardant epoxy resin casting, good stability
- ◆ High magnetic conductivity nickel steel or nanocrystalline, good linearity and high sensitivity
- ◆ Excellent balance characteristics and strong anti electromagnetic interference ability

> 应用范围 Scope of application

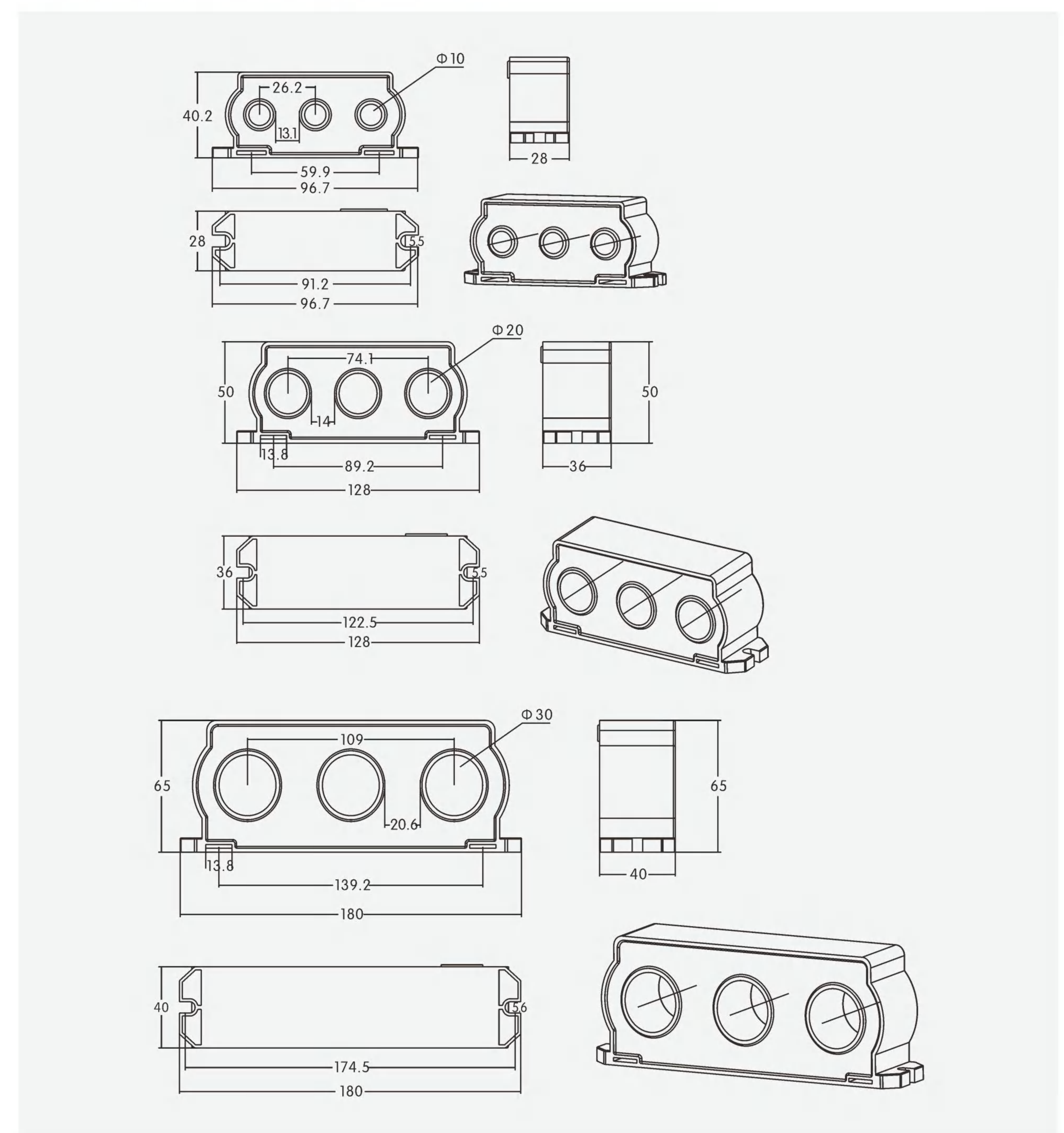
电气火灾监控、电流电压传感器设备、消防设备电源模块、防火漏电系统、小电流接地系统、电磁继电器保护、微机保护等。

Electrical fire monitoring, current and voltage sensor equipment, fire equipment power module, fire leakage system, small current grounding system, electromagnetic relay protection, microcomputer protection etc.

> 性能指标 Performance index

电气参数 Electrical parameters		机械参数 Mechanical parameters	
工作频率 Working frequency	50~400Hz	外壳 Shell	ABS, 阻燃等级94-V0 ABS, Flame retardant grade 94-V0
额定输入 Rated input	1A~800A	骨架 Skeleton	PBT
测量范围 Measuring range	10%In~130%In	铁芯 Iron core	镍钢或纳米晶 Nickel or nanocrystalline
额定输出 Rated output	0~1V(A)或0~1A/100mA	内部结构 Internal structure	环保型环氧树脂浇注 Environment friendly epoxy resin casting
比值差 Ratio difference	≤ ± 0.1%	施工方案 Construction plan	螺丝固定 Screw fixation
相位差 Phase difference	≤ ± 10分	工作温度 Working temperature	-12℃~ +45℃
介质强度 Dielectric strength	2.5KV/1mA/1min	环境湿度 Ambient humidity	≤ 85%
绝缘电阻 Insulation resistance	DC500V/1000MΩ /min	接线方式 Connection mode	端子型/屏蔽绞线1.5米 Terminal type / shielded strand 1.5m

> 外形及安装尺寸 Outline and installation dimensions



圆形三相电流互感器

CIRCULAR THREE PHASE CURRENT TRANSFORMER

物联网电流传感器生产商

IOT CURRENT SENSOR MANUFACTURER



专业，方能体现品质和效率
Professional, can reflect quality and efficiency

圆形三相电流互感器 CIRCULAR THREE PHASE CURRENT TRANSFORMER YUCHENG

> 产品概述 Product overview

圆形三相电流互感器，专为采集电流信号而设计。二次电流为mA级，且必须用于穿芯方式，严格按照标准NSX和NXM塑壳断路器穿排尺寸设计。本系列产品测量范围宽，额定一次电流范围：1A~800A额定二次电流范围：20MA~1A，优异先进的制作工艺。保证了其准确度等级，可靠性等技术要求，本系列产品满足GB 28184-2011和GB14287.2-2014的要求。

Round three-phase current transformer designed for collecting current signals. The secondary current is mA level and must be used in the core threading mode, which is designed strictly in accordance with the standard NSX and NXM MCCB routing dimensions. This series of products has a wide measuring range, rated primary current range: 1A~800A rated secondary current range: 20MA~1A, excellent advanced production process. To ensure its accuracy level, reliability and other technical requirements, this series of products meet the requirements of GB 28184-2011 and GB14287.2-2014.

> 产品特点 Product features

- ◆ 铜排 线缆 都能穿过
- ◆ 穿芯结构、阻燃性环氧树脂浇注、稳定性好
- ◆ 采用高导磁镍钢或纳米晶，线性度好、灵敏度高
- ◆ 优异的平衡特性、并具有极强的抗电磁场干扰能力
- ◆ All copper wires and cables can pass through
- ◆ Core piercing structure, flame retardant epoxy resin casting, good stability
- ◆ High magnetic conductivity nickel steel or nanocrystalline, good linearity and high sensitivity
- ◆ Excellent balance characteristics and strong anti electromagnetic interference ability

> 应用范围 Scope of application

电气火灾监控、电流电压传感器设备、消防设备电源模块、防火漏电系统、小电流接地系统、电磁继电器保护、微机保护等。

Electrical fire monitoring, current and voltage sensor equipment, fire equipment power module, fire leakage system, small current grounding system, electromagnetic relay protection, microcomputer protection etc.

> 性能指标 Performance index

电气参数 Electrical parameters		机械参数 Mechanical parameters	
工作频率 Working frequency	50~400Hz	外壳 Shell	ABS, 阻燃等级94-V0 ABS, Flame retardant grade 94-V0
额定输入 Rated input	1A~800A	骨架 Skeleton	PBT
测量范围 Measuring range	10%In~130%In	铁芯 Iron core	镍钢或纳米晶 Nickel or nanocrystalline
额定输出 Rated output	0~1v(A或)0~1A/100mA	内部结构 Internal structure	环保型环氧树脂浇注 Environment friendly epoxy resin casting
比值差 Ratio difference	≤ ± 0.1%	施工方案 Construction plan	螺丝固定 Screw fixation
相位差 Phase difference	≤ ± 10分	工作温度 Working temperature	-12℃~ +45℃
介质强度 Dielectric strength	2.5KV/1mA/1min	环境湿度 Ambient humidity	≤ 85%
绝缘电阻 Insulation resistance	DC500V/1000MΩ /min	接线方式 Connection mode	端子型/屏蔽绞线1.5米 Terminal type / shielded strand 1.5m

> 外形及安装尺寸 Outline and installation dimensions

