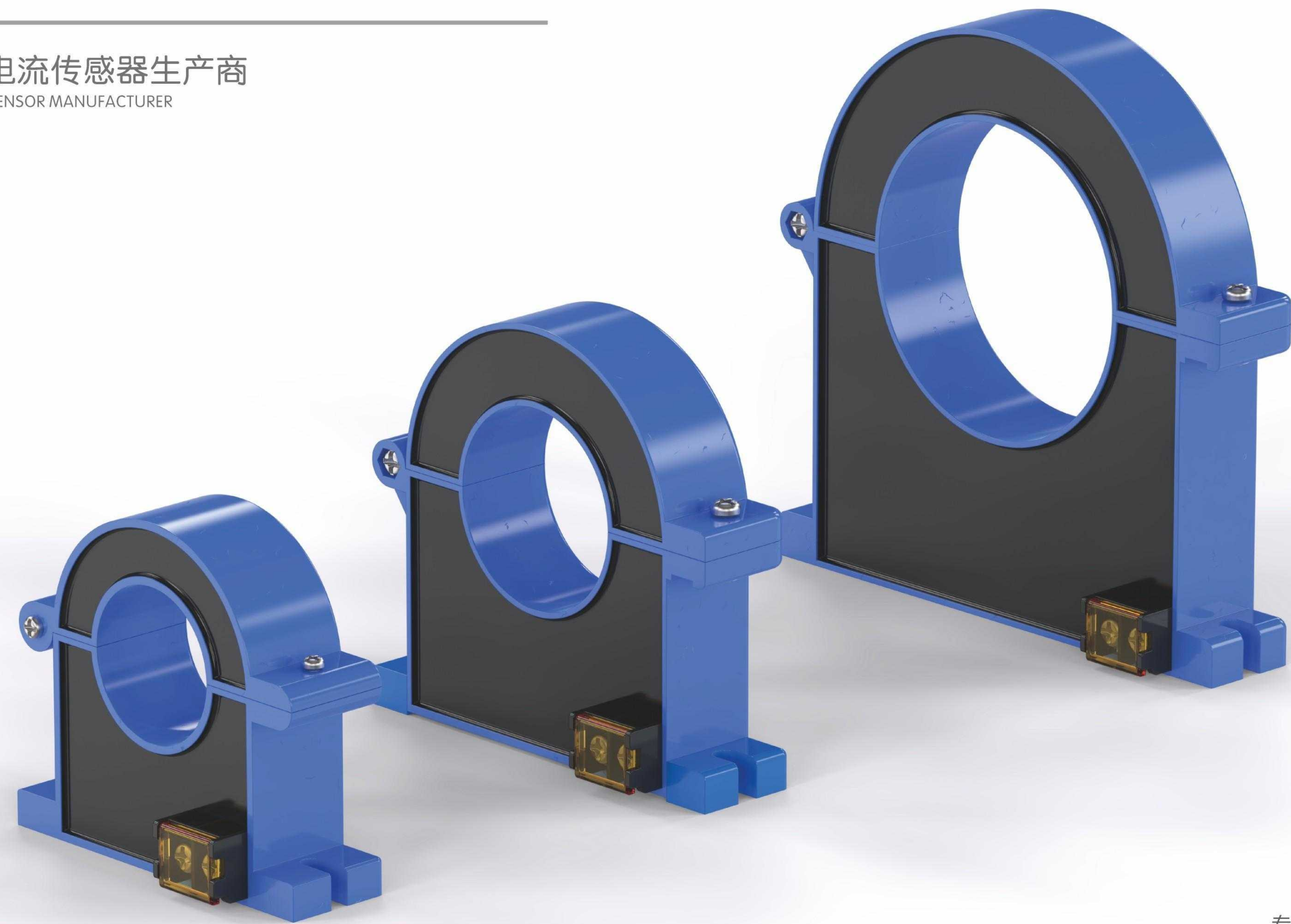


开合式电流互感器

OPEN-CLOSE TYPE CURRENT TRANSFORMER

物联网电流传感器生产商
IOT CURRENT SENSOR MANUFACTURER



专业，方能体现品质和效率
Professional, can reflect quality and efficiency

CTK38/50/80 开合式电流互感器 OPEN-CLOSE TYPE CURRENT TRANSFORMER YUCHENG

> 产品概述 Product overview

开合式电流互感器，是在传统互感器的基础上改进而来。做成自由开合式，可在不停电、不拆线的状态下快速安装、拆卸，操作简便。本系列产品测量范围宽，额定一次电流范围：5~630A，额定二次电流范围：0~5A，电流变比范围可达500:1~10000:1，有序的制作工艺流，保证了其准确度等级、可靠性等技术要求。本产品符合GB/T20840.1.2标准。

The open-close current transformer is improved on the basis of the traditional transformer. Made of free opening and closing, it can be quickly installed and disassembled in the state of no power failure and no wire disassembly, and the operation is simple. The measuring range of this series of products is wide, the rated primary current range: 5~630A, the rated secondary current range: 0~5A, the current ratio range can reach 500:1~10,000:1, the orderly production process flow, to ensure its accuracy level, reliability and other technical requirements. This product complies with GB/T20840.1.2 standard.

> 产品特点 Product features

- ◆ 卡扣结构、线性度高、灵敏度高
- ◆ 采用高导磁硅钢，线性度好、灵敏度高
- ◆ 内部环氧树脂浇注，稳定性好，重量轻，方便安装
- ◆ Snap structure, good linearity and high sensitivity
- ◆ High permeability silicon steel with good linearity and high sensitivity
- ◆ Internal epoxy resin casting, good stability, light weight, easy installation

> 应用范围 Scope of application

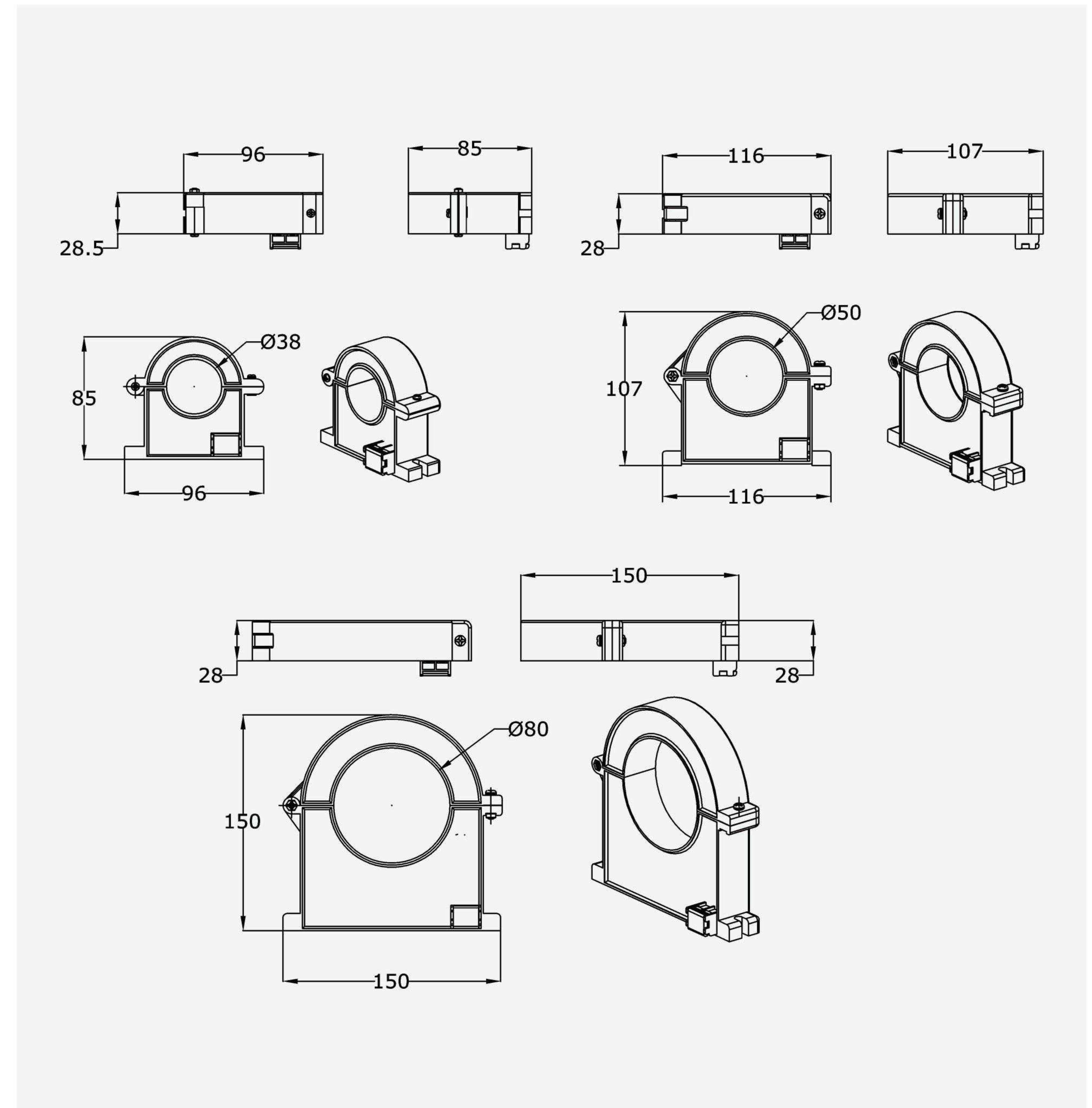
适用于农网改造、电气火灾监控、防火漏电系统、智慧用电系统、电量测量、电能质量分析及电气设备信号的采集、照明设备、电机、电力装置等设备的电力需求侧管理小电流接地系统、电磁继电器保护、微机保护、智慧电力、环保监测等。

It is suitable for rural power grid reconstruction, electrical fire monitoring, fire prevention and leakage system, intelligent power system, power measurement, power quality analysis and electrical equipment signal acquisition, power demand side management of lighting equipment, motor, power device and other equipment, small current grounding system, electromagnetic relay protection, microcomputer protection, intelligent power, environmental protection monitoring, etc.

> 性能指标 Performance index

电气参数 Electrical parameters		机械参数 Mechanical parameters	
工作频率 Working frequency	50~2KHz	外壳 Shell	ABS, 阻燃等级94-V0 ABS, Flame retardant grade 94-V0
额定输入 Rated input	5A~2000A	骨架 Skeleton	PBT
测量范围 Measuring range	10%In~130%In	铁芯 Iron core	硅钢 Silicon steel
额定输出 Rated output	0.333VIAC)或0~5A	内部结构 Internal structure	卡扣 Clasp
比值差 Ratio difference	≤ ± 0.1%	施工方案 Construction plan	扎带固定 Band fixation
相位差 Phase difference	≤ ± 10分	工作温度 Working temperature	-12℃ ~ +75℃
介质强度 Dielectric strength	2.5KV/1mA/1min	环境湿度 Ambient humidity	≤ 85%
绝缘电阻 Insulation resistance	DC500V/1000MΩ /min	接线方式 Connection mode	PVC三色1.5m双绞线 PVC tricolor 1.5m twisted pair

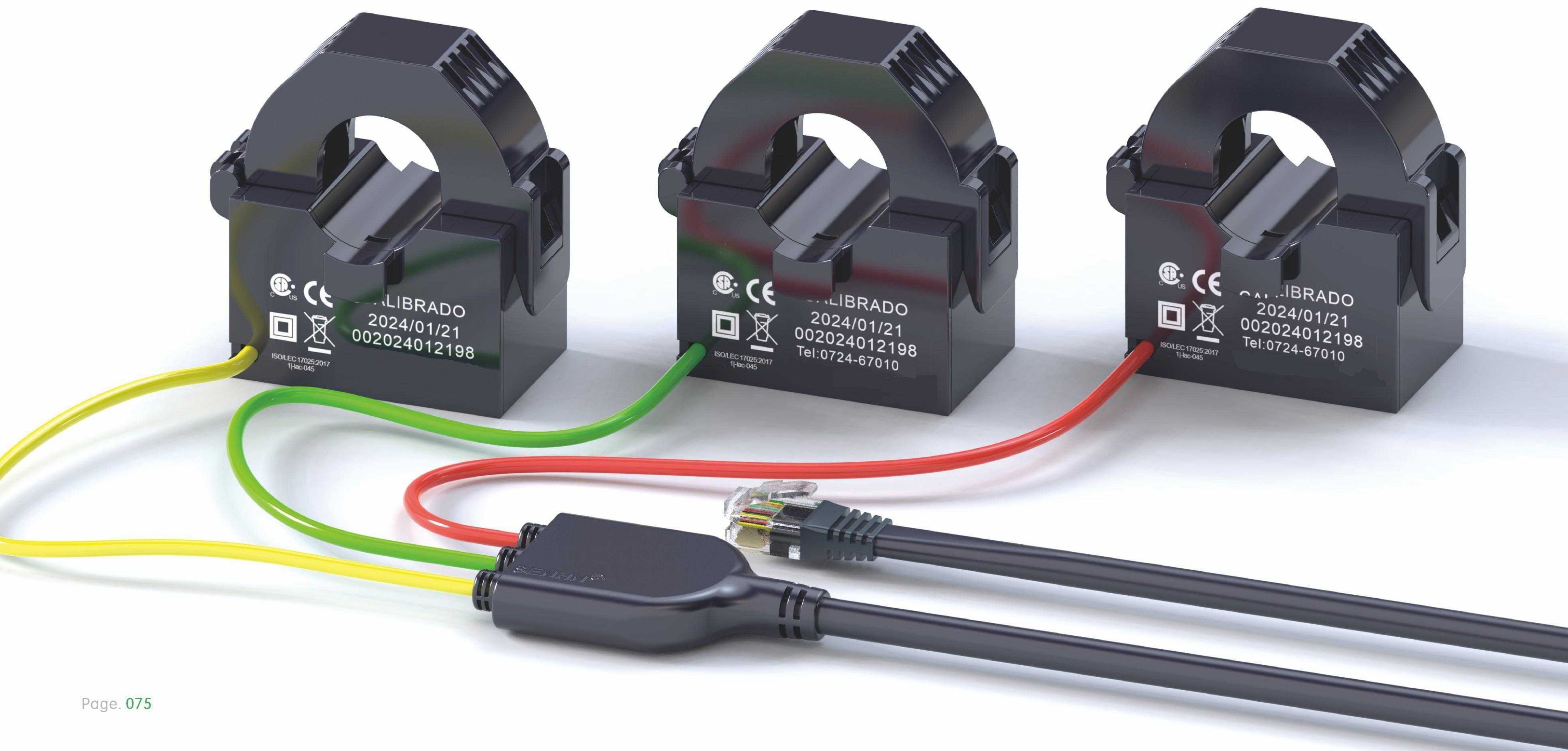
> 外形及安装尺寸 Outline and installation dimensions



负荷有序调节传感器

LOAD ORDERLY REGULATION SENSOR

物联网电流传感器生产商
IOT CURRENT SENSOR MANUFACTURER



负荷有序调节传感器

LOAD ORDERLY REGULATION SENSOR

电力/消防/工控自动化 便捷高效的解决方案
CONVENIENT AND EFFICIENT SOLUTION FOR
POWER / FIRE / INDUSTRIAL CONTROL AUTOMATION



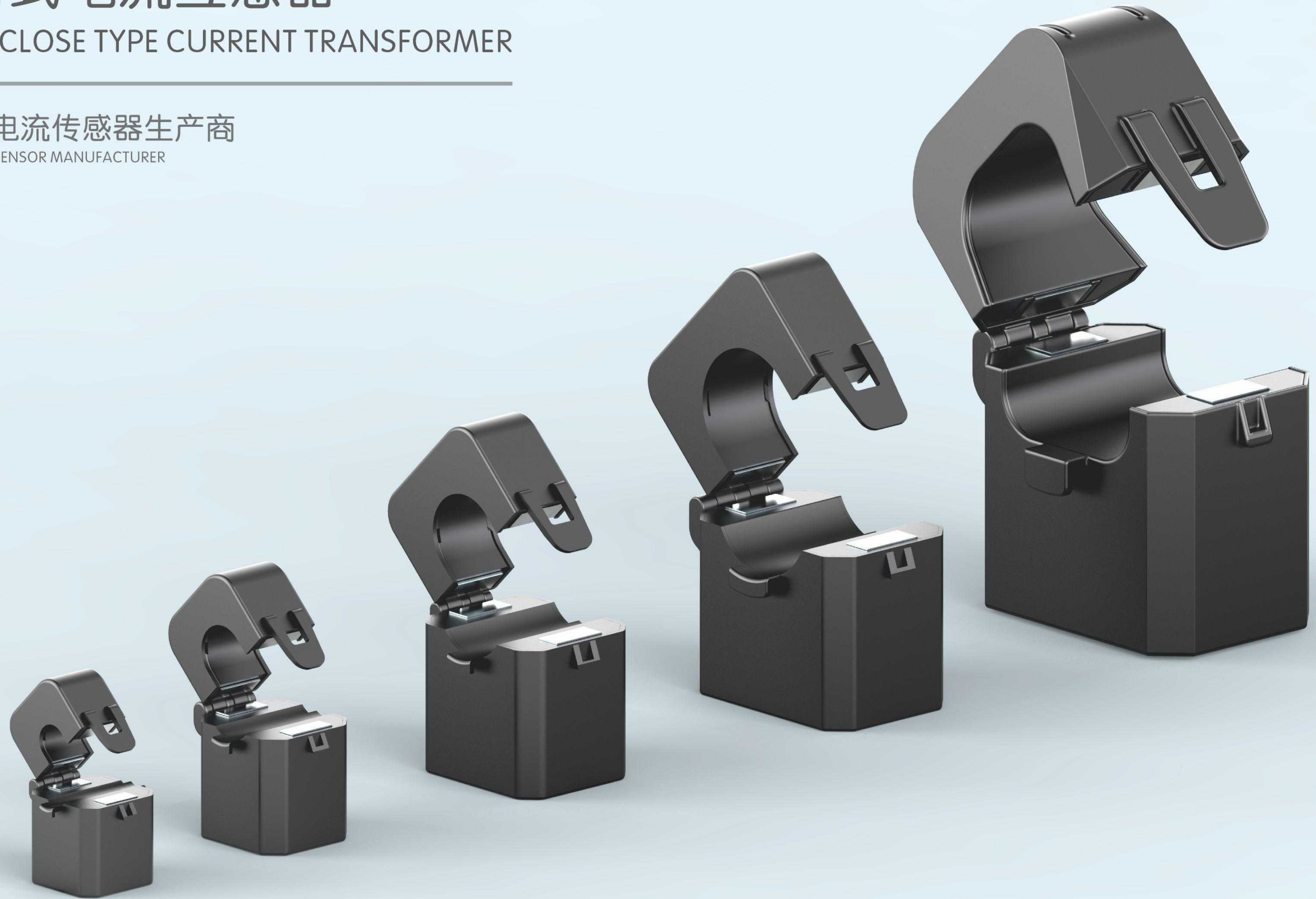
专业，方能体现品质和效率
Professional, can reflect quality and efficiency

开合式电流互感器

OPEN-CLOSE TYPE CURRENT TRANSFORMER

物联网电流传感器生产商

IOT CURRENT SENSOR MANUFACTURER



专业，方能体现品质和效率
Professional, can reflect quality and efficiency

CTKD 开合式电流互感器 OPEN-CLOSE TYPE CURRENT TRANSFORMER YUCHENG

> 产品概述 Product overview

开合式电流互感器，是在传统互感器的基础上改进而来。做成自由开合式，可在不停电、不拆线的状态下快速安装、拆卸，操作简便。本系列产品测量范围宽，额定一次电流范围：5~630A,额定二次电流范围：0~5A,电流变比范围可达500:1~10000:1,有序的制作工艺流，保证了其准确度等级、可靠性等技术要求。本产品符合GB/T20840.1.2标准。

The open-close current transformer is improved on the basis of the traditional transformer. Made of free opening and closing, it can be quickly installed and disassembled in the state of no power failure and no wire disassembly, and the operation is simple. This series of products has a wide measuring range, rated primary current range: 5~630A, rated secondary current range: 0~5A, current ratio range up to 500:1~ 10,000:1, orderly production process, to ensure its accuracy level, reliability and other technical requirements. This product complies with GB/T20840.1.2 standard.

> 产品特点 Product features

- ◆ 卡扣结构、线性度好、灵敏度高
- ◆ 采用高导磁硅钢，线性度好、灵敏度高
- ◆ 内部环氧树脂浇注，稳定性好，重量轻，方便安装
- ◆ Snap structure, good linearity and high sensitivity
- ◆ High permeability silicon steel with good linearity and high sensitivity
- ◆ Internal epoxy resin casting, good stability, light weight, easy installation

> 应用范围 Scope of application

适用于农网改造、电气火灾监控、防火漏电系统、智慧用电系统、电量测量、电能质量分析及电气设备信号的采集、照明设备、电机、电力装置等设备的电力需求侧管理小电流接地系统、电磁继电器保护、微机保护、智慧电力、环保监测等。

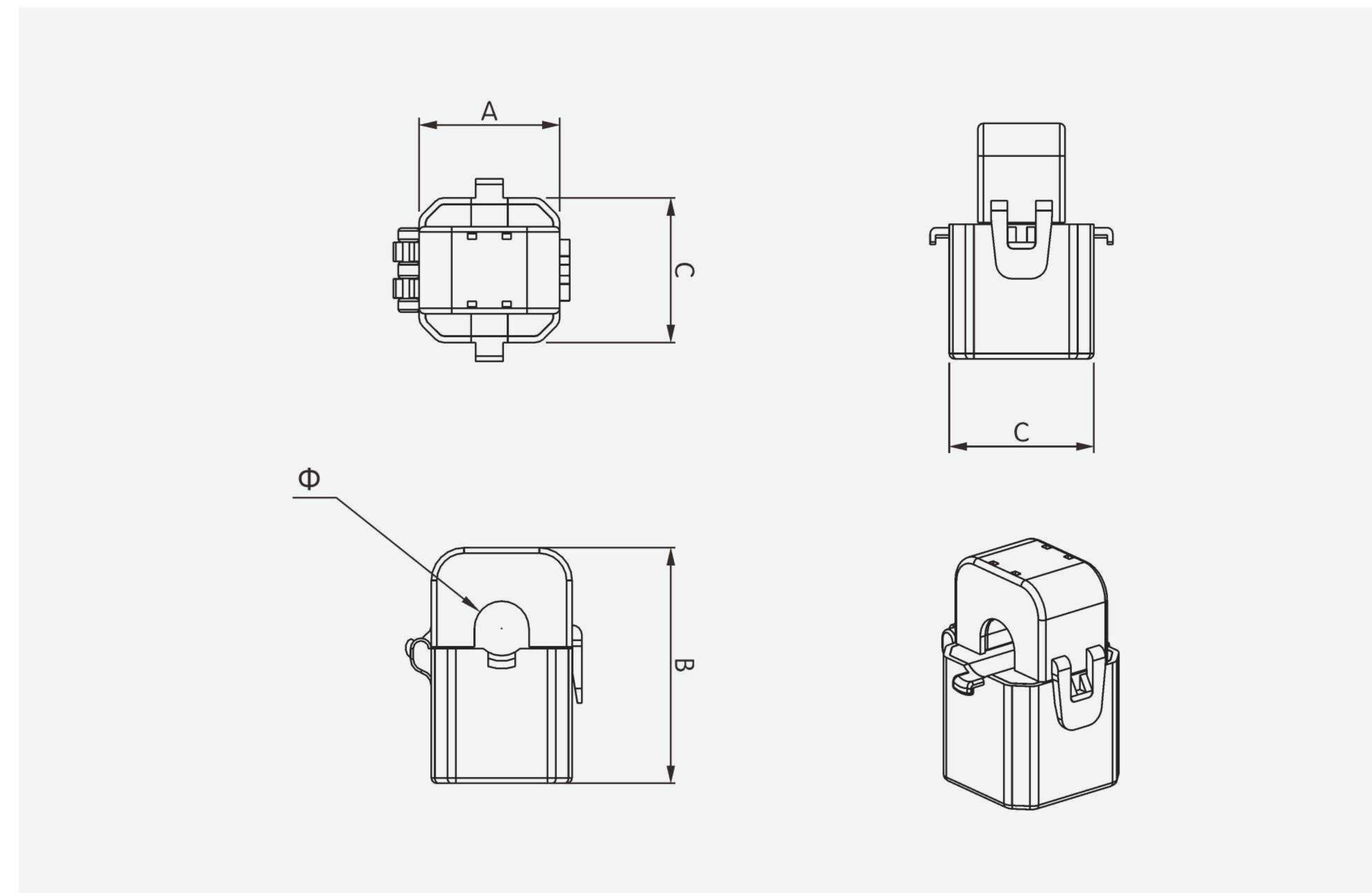
It is suitable for rural power grid reconstruction, electrical fire monitoring, fire prevention and leakage system, intelligent power system, power measurement, power quality analysis and electrical equipment signal acquisition, power demand side management of lighting equipment, motor, power device and other equipment, small current grounding system, electromagnetic relay protection, microcomputer protection, intelligent power, environmental protection monitoring, etc.

> 性能指标 Performance index

电气参数 Electrical parameters		机械参数 Mechanical parameters	
工作频率 Working frequency	50~2KHz	外壳 Shell	ABS, 阻燃等级94-V0 ABS, Flame retardant grade 94-V0
额定输入 Rated input	5A~2000A	骨架 Skeleton	PBT
测量范围 Measuring range	10%In~130%In	铁芯 Iron core	硅钢 Silicon steel
额定输出 Rated output	0.333V(AC) 或 0-5A	内部结构 Internal structure	卡扣 Clasp
比值差 Ratio difference	≤ ± 0.1%	施工方案 Construction plan	扎带固定 Band fixation
相位差 Phase difference	≤ ± 10分	工作温度 Working temperature	-25℃ ~ +75℃
介质强度 Dielectric strength	2.5KV/1mA/1min	环境湿度 Ambient humidity	≤ 85%
绝缘电阻 Insulation resistance	DC500V/1000MΩ /min	接线方式 Connection mode	PVC 三色1.5m双绞线 PVC tricolor 1.5m twisted pair

> 外形及安装尺寸 Outline and installation dimensions

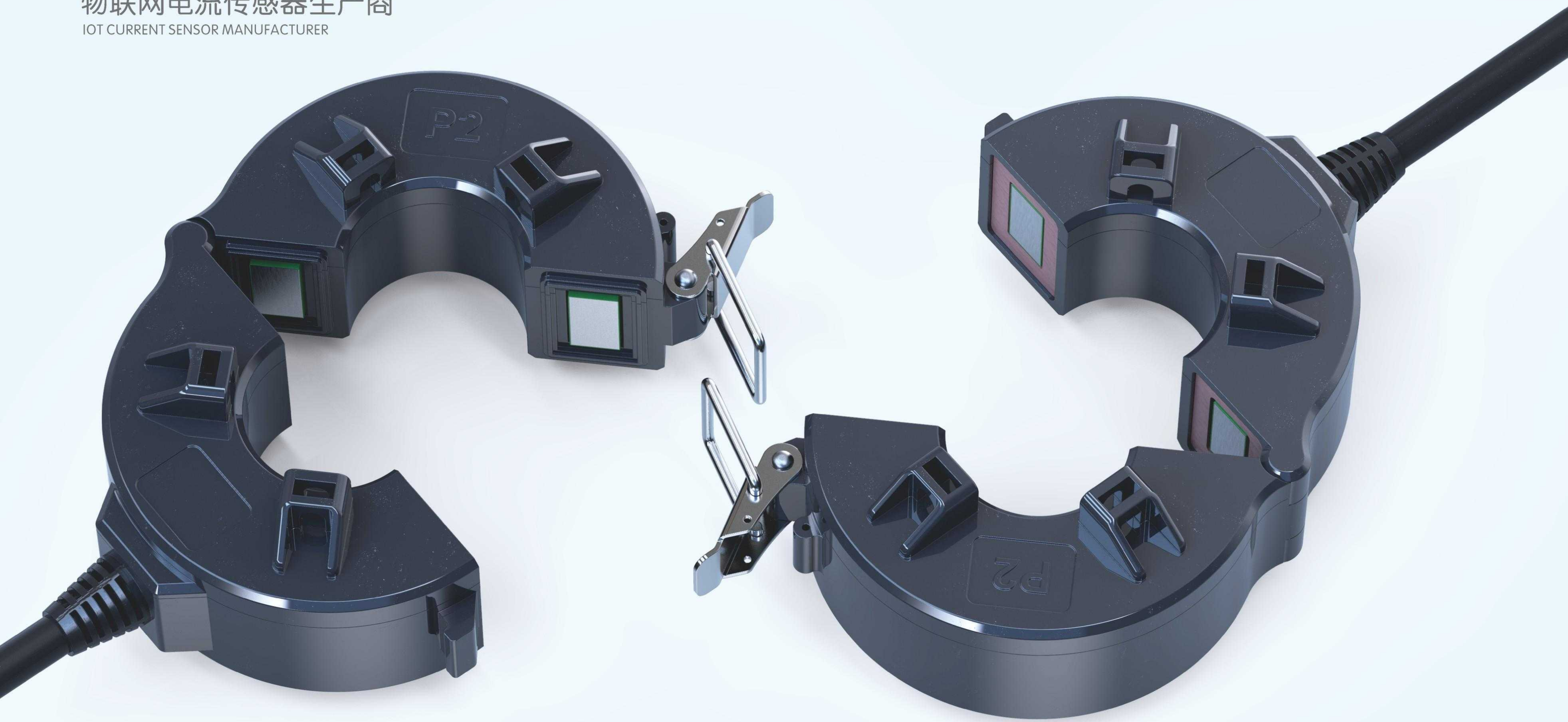
型号规格 Model and specification	额定输入(A) Rated input	额定输出 (mA/V) Rated output	精度等级 Accuracy class	外形尺寸 Dimensions(mm)			
				Φ	A	B	C
CTKD10	5-75A (5、10、20、50、75)	0-50mA 0.333V	0.5、1.0、3.0	10mm	23	40	27
CTKD16	5-160A (5、10、50、100、160)	0-5A 0.333V		16mm	31	50	30
CTKD24	10-300A (10、50、100、200、250)	0-5A 0.333V		23mm	43	73	39
CTKD35	10-630A (20、100、250、400、600)	0-5A 0.333V		35mm	60	89	43
CTKD50	10-2000A (200、500、1000、1500、2000)	0-5A 0.333V		50mm	81.2	119.8	58



铰链式开口互感器

HINGED TYPE OPENING TRANSFORMER

物联网电流传感器生产商
IOT CURRENT SENSOR MANUFACTURER



专业，方能体现品质和效率
Professional, can reflect quality and efficiency

CTK5 铰链式开口互感器 HINGED TYPE OPENING TRANSFORMER YUCHENG

> 产品概述 Product overview

开合式户外防水穿刺互感器，本系列互感器最大的特点就是防水功能，可以在户外使用，他的切面端口采用橡胶垫环绕阻止雨水进入，当然市面上大多数号称防水的互感器都使用了橡胶垫这一手段，但光采用这个手段进行防水也有局限性，因为无法保证互感器本身的防水，而我公司采用了互感器一次成型的技术，就是将互感器直接在模具中做成实体，塑料毫无空隙的包裹全身，同时二次侧引线采用防水端子及护套线，保证没有一丝雨水能够进入互感器机体，经过权威机构测试，我公司互感器防水等级达到了IP67/IP65。本产品符合标准GB20840.1.2部分要求。

Open-close outdoor waterproof puncture transformer is the waterproof function, which can be used outdoors. Its section port is surrounded by rubber pads to prevent rain from entering. Of course, most so-called waterproof transformers on the market use rubber pads as a means, but there are also limitations in using this means for waterproofing. Because it is impossible to guarantee the waterproof of the transformer itself, our company adopts the technology of transformer forming once, that is, the transformer is directly made into a solid in the mold, and the plastic is wrapped around the whole body without any gap. Meanwhile, waterproof terminals and sheath lines are used in the secondary side leads to ensure that no rain can enter the transformer body. Our company transformer waterproof grade has reached IP67/IP65. This product meets part of the standard GB20840.1.2.

> 产品特点 Product features

- ◆ 产品符合标准GB20840-0.66/3KV
- ◆ 输入电流范围：100A-600A
- ◆ 环境温度：-15℃-+40℃
- ◆ 阻燃特性：符合 UL94-V0
- ◆ 湿度：80%
- ◆ 防护等级：IP67/IP65
- ◆ The product meets the standard of GB20840-0.66/3KV
- ◆ Input current range: 100A-600A
- ◆ Ambient temperature: - 15℃ - + 40℃
- ◆ Flame retardant: comply with UL94-V0
- ◆ Humidity: < 80%
- ◆ Protection grade: IP67/IP65

> 应用范围 Scope of application

电气火灾监控系统，消防设备电源监控系统，智慧用电系统，智能电网，台区改造，环保检测，小电流接地系统，继电保护，电动机保护系统。

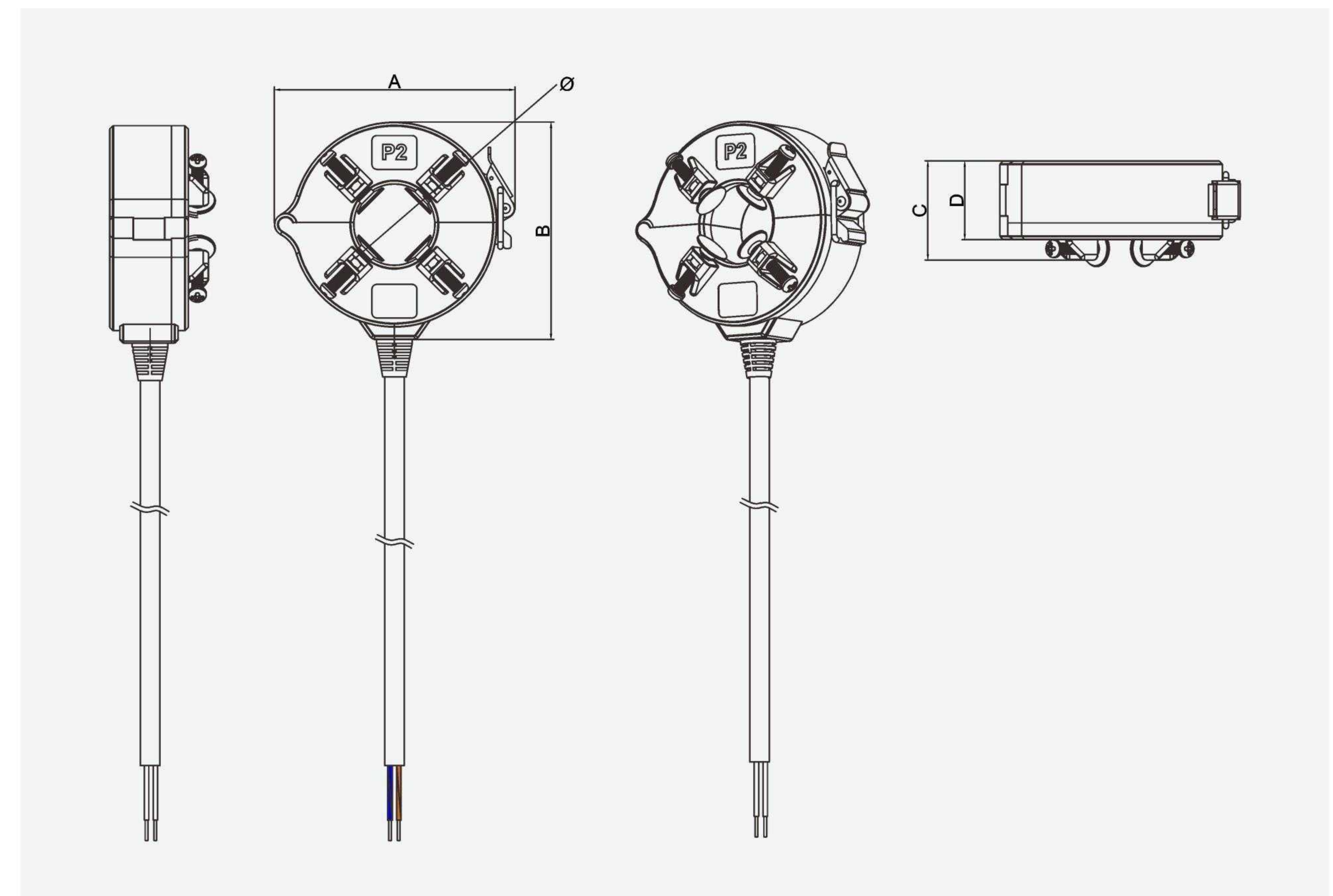
Electrical fire monitoring system, fire equipment power supply monitoring system, intelligent power system, smart grid, substation transformation, environmental protection detection, small current grounding system, relay protection, motor protection system.

> 性能指标 Performance index

电气参数 Electrical parameters		机械参数 Mechanical parameters	
适用标准 Applicable standards	GB/T20840.1.2	外壳 Shell	PA/PC 阻燃等级94-V0 PA / PC flame retardant grade 94-V0
电压等级 Voltage level	0.4/0.66/0.69/0.72kv	铁芯 Iron core	硅钢/纳米晶/铁氧体 Silicon steel / nanocrystalline / ferrite
负荷精度 Load accuracy	5VA/2.5VA	内部结构 Internal structure	防水密封圈/穿刺针 Waterproof sealing ring / puncture needle
精度等级 Accuracy class	0.5s 0.5 1	防护等级 Protection level	IP67/IP65
额定频率 Rated frequency	50/60HZ	适用环境 Applicable environment	-40℃-70℃

> 外形及安装尺寸 Outline and installation dimensions

型号规格 Model and specification	额定输入(A) Rated input	额定输出 (mA/v) Rated output	精度等级 Accuracy class	外形尺寸 Dimensions(mm)				
				Φ	A	B	C	D
CTK5-24	1~250A	0~5A 0~5V	0.2 0.5S 0.5 1.0	24	90	80	44	35
CTK5-36	5~600A			36	106	96.5	44	35
CTK5-45	5~1000A			45	117	107	44	35
CTK5-60	5~1500A			60	139	127	46	37

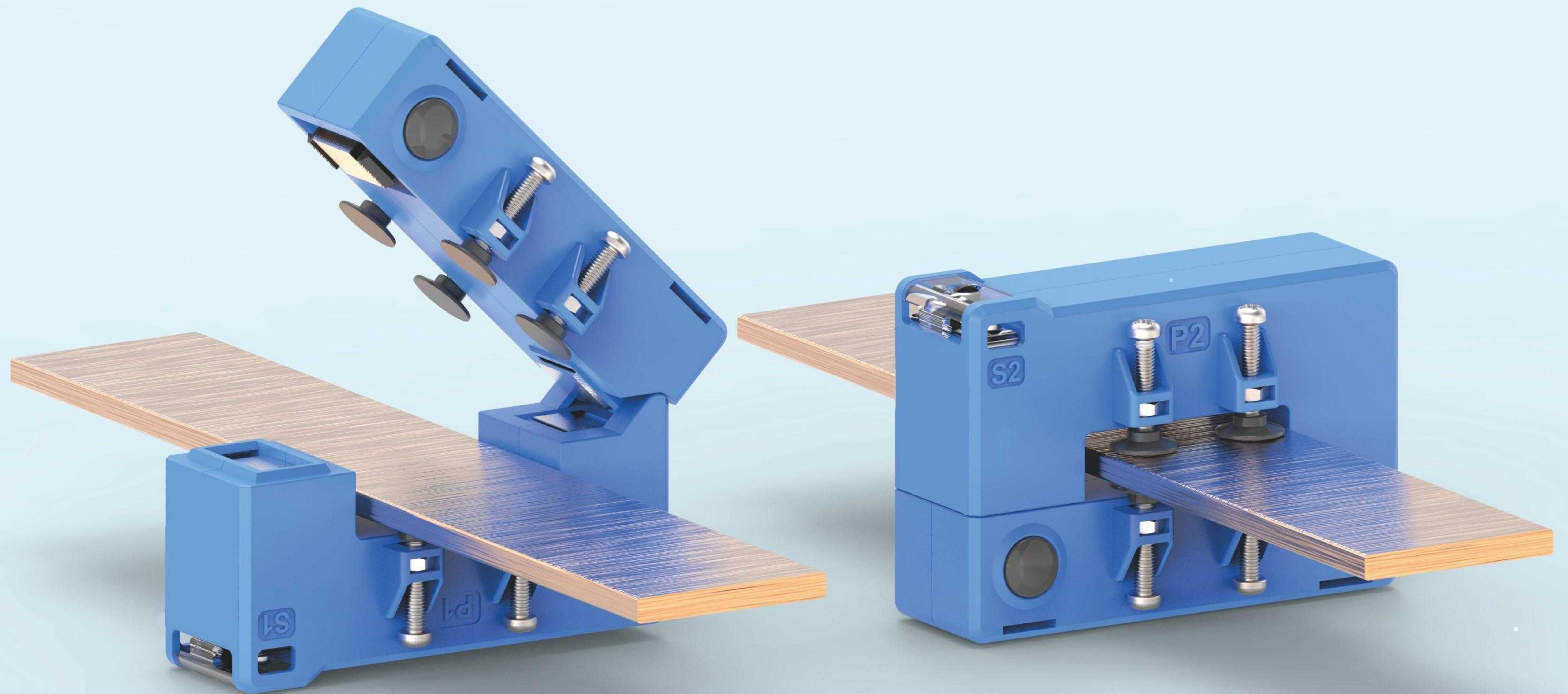


开合式电流互感器

OPEN-CLOSE TYPE CURRENT TRANSFORMER

物联网电流传感器生产商

IOT CURRENT SENSOR MANUFACTURER



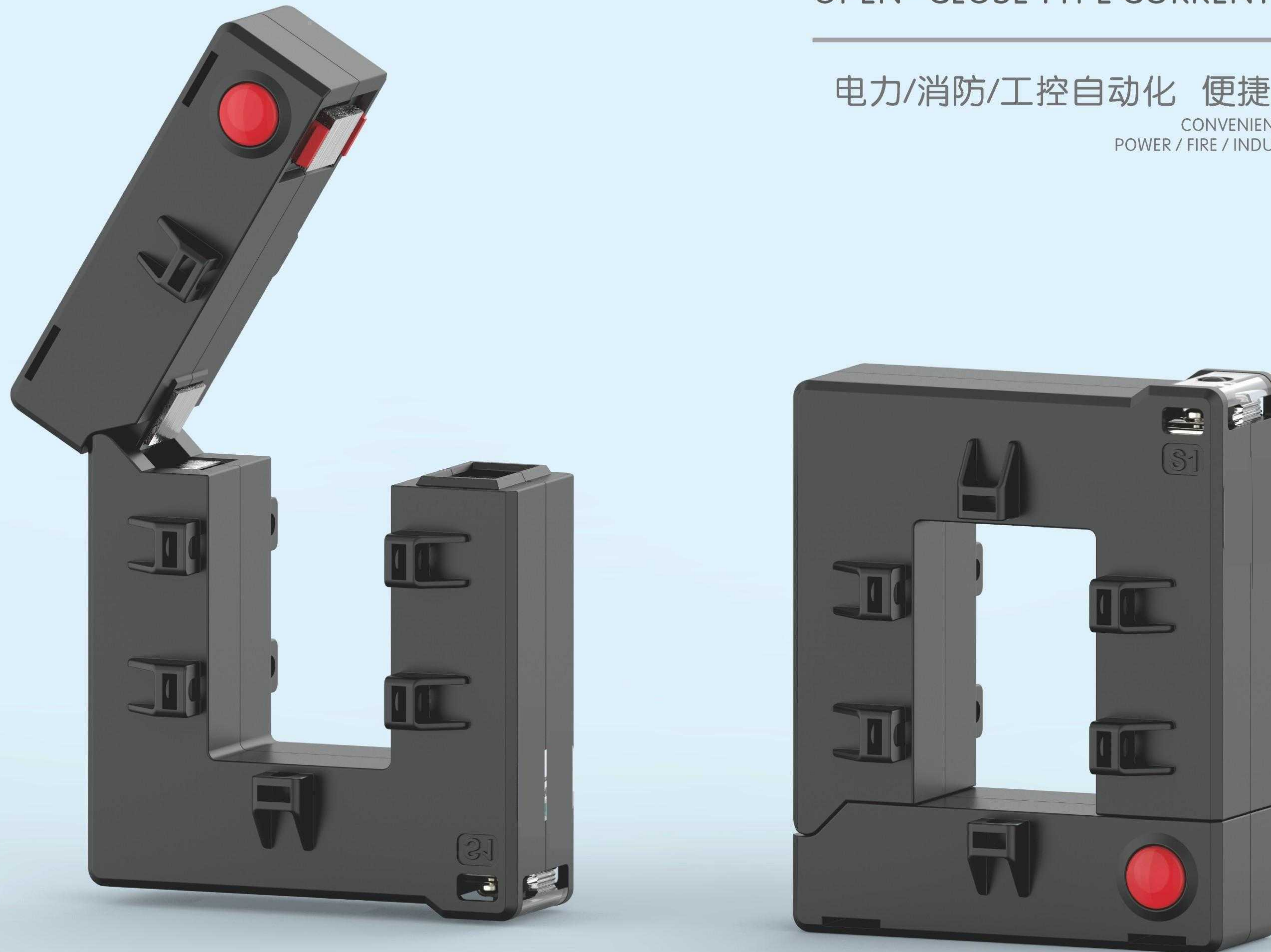
专业，方能体现品质和效率
Professional, can reflect quality and efficiency

开合式电流互感器

OPEN-CLOSE TYPE CURRENT TRANSFORMER

电力/消防/工控自动化 便捷高效的解决方案

CONVENIENT AND EFFICIENT SOLUTION FOR
POWER / FIRE / INDUSTRIAL CONTROL AUTOMATION



专业，方能体现品质和效率
Professional, can reflect quality and efficiency