

# 保护级竖排电流互感器

## PROTECTIVE LEVEL VERTICAL CURRENT TRANSFORMER

物联网电流传感器生产商  
IOT CURRENT SENSOR MANUFACTURER



专业，方能体现品质和效率  
Professional, can reflect quality and efficiency

# BHP 保护级竖排电流互感器 PROTECTIVE LEVEL VERTICAL CURRENT TRANSFORMER YUCHENG

## > 产品概述 Product overview

SEN-BHP系列保护电流互感器在测量交变电流的大电流时,为便于二次仪表测量需要转换为比较统一的电流(我国规定电流互感器的二次额定为5A或1A)。电流互感器在短路过渡过程中是否能正确传变一次电流,对继电保护的正确动作起着决定性的作用,保护用电流互感器(TA)主要与继电保护装置配合,在线路发生短路等故障时,向继电装置提供信号切断故障电路,保护电力系统的安全。保护用电流互感器英文名称: low voltage protective current transformer一次测量范围200-6300A, 二次输出5A、1A, 主要准确级有: 5P10、10P10、10P20、5P20等。采集低压过载、短路信号, 与电动机保护单元配套使用。

When measuring the high current of alternating current, SEN-BHP series current transformers need to be converted to a relatively uniform current for the convenience of secondary instrument measurement (the secondary rating of current transformers is set as 5A or 1A in China). Current transformer in the process of short circuit transition can correct the primary current, the relay protection of right action plays a decisive role, protective current transformer (TA) mainly cooperate with relay protection devices, such as short circuit occurred in line failure, provide signals to cut off the fault circuit to relay device, protect the safety of the power system. Name of protective current transformer: low voltage protective current transformer Primary measuring range 200-6300A, secondary output 5A, 1A, main accuracy levels: 5P10, 10P10, 10P20, 5P20, etc. Collect low voltage overload and short circuit signals, and use with motor protection unit.

## > 技术指标 Technical indicators

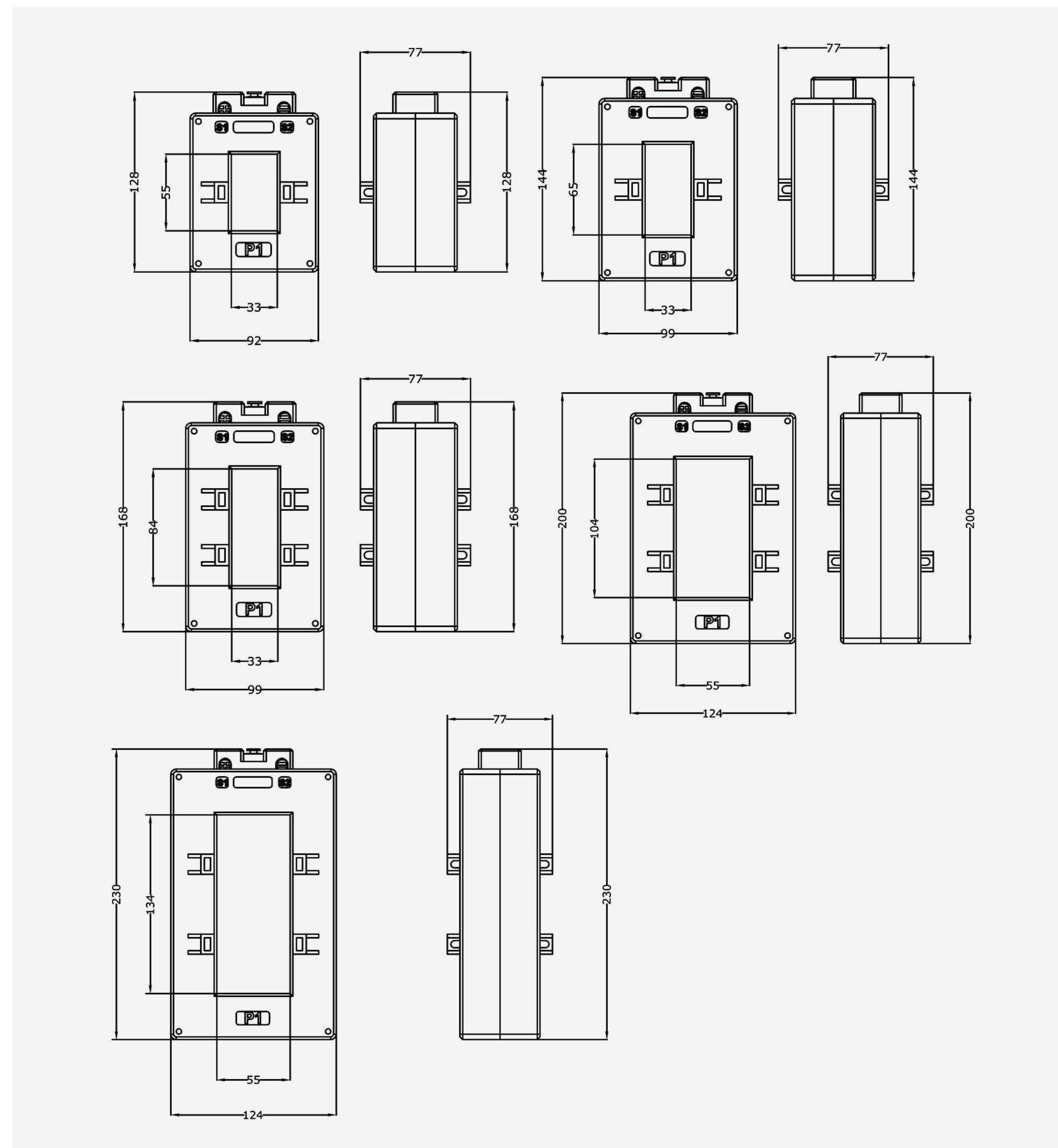
- ◆ 保护CT一次电流200-6300A, 二次电流5A, 1A, 0.1A, 0.05A。
- ◆ 额定工作电压AC0.66kV(等效AC0.69kV, GB/T156-2007)。
- ◆ 额定频率50/60Hz。
- ◆ 环境温度-30℃~70℃, 最高耐温120℃。
- ◆ 海拔高度≤3000m。
- ◆ 工频耐压3000V/1min 50Hz。
- ◆ 用于没有雨雪直接侵袭, 无严重污染及剧烈震动的场所。
- ◆ Protection CT primary current 200-6300A, secondary current 5A, 1A, 0.1A, 0.05A.
- ◆ Rated working voltage AC0.66kV(equivalent AC0.69kV, GB/T156-2007).
- ◆ Rated frequency 50/60Hz.
- ◆ Ambient temperature -30℃~70℃, maximum temperature resistance 120℃.
- ◆ Altitude ≤3000m.
- ◆ Power frequency voltage 3000V/1min 50Hz.
- ◆ Used in places without direct invasion of rain and snow, without serious pollution and severe vibration.

## > 功能特点 Functional features

该系列互感器用于采集低压过载、短路信号, 与保护继电器、电机保护器配套使用。

This series of transformer is used to collect low voltage overload and short circuit signals, and is matched with protective relays and motor protectors.

## > 外形及安装尺寸 Outline and installation dimensions



# 保护级横排电流互感器

## PROTECTED HORIZONTAL CURRENT TRANSFORMER

物联网电流传感器生产商  
IOT CURRENT SENSOR MANUFACTURER



专业，方能体现品质和效率  
Professional, can reflect quality and efficiency

# BHP2 保护级横排电流互感器 PROTECTED HORIZONTAL CURRENT TRANSFORMER YUCHENG

## > 产品概述 Product overview

SEN-BHP2系列保护电流互感器在测量交变电流的大电流时，为便于二次仪表测量需要转换为比较统一的电流（我国规定电流互感器的二次额定为5A或1A）。电流互感器在短路过渡过程中是否能正确传变一次电流，对继电保护的正确动作起着决定性的作用，保护用电流互感器(TA)主要与继电保护装置配合，在线路发生短路等故障时，向继电装置提供信号切断故障电路，保护电力系统的安全。保护用电流互感器英文名称：low voltage protective current transformer一次测量范围200-6300A，二次输出5A、1A，主要准确级有：5P10、10P10、10P20、5P20等。采集低压过载、短路信号，与电动机保护单元配套使用。

When measuring the high current of alternating current, SEN-BHP2 series current transformers need to be converted to a relatively uniform current for the convenience of secondary instrument measurement (the secondary rating of current transformers is set as 5A or 1A in China). Current transformer in the process of short circuit transition can correct the primary current, the relay protection of right action plays a decisive role, protective current transformer (TA) mainly cooperate with relay protection devices, such as short circuit occurred in line failure, provide signals to relay device, protect the safety of the power system. Name of protective current transformer: low voltage protective current transformer Primary measuring range 200-6300A, secondary output 5A, 1A, main accuracy levels: 5P10, 10P10, 10P20, 5P20, etc. Collect low voltage overload and short circuit signals, and use with motor protection unit.

## > 技术指标 Technical indicators

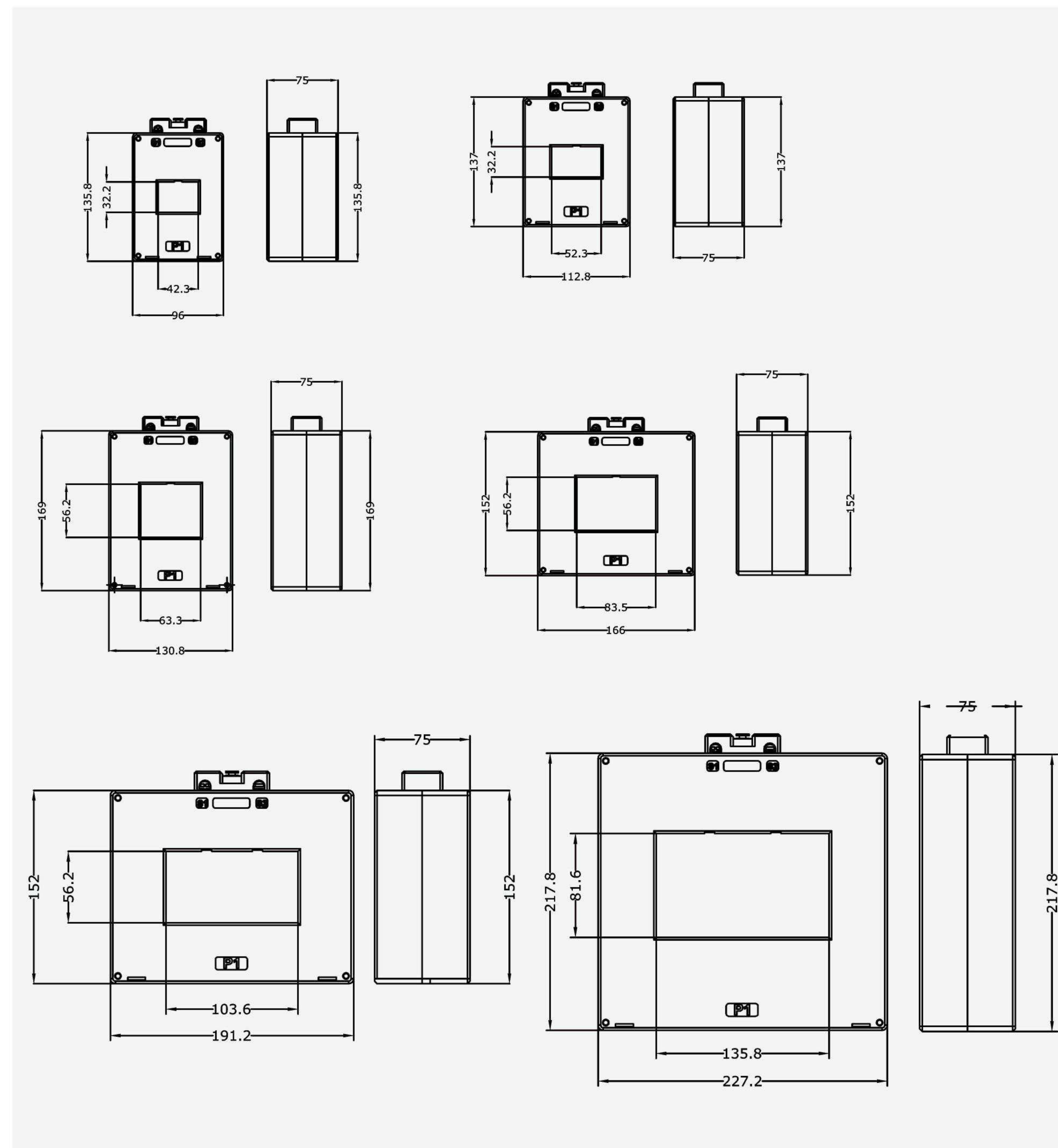
- ◆ 保护CT一次电流200-6300A，二次电流5A，1A，0.1A，0.05A。
- ◆ 额定工作电压AC0.66kV(等效AC0.69kV，GB/T156-2007)。
- ◆ 额定频率50/60Hz。
- ◆ 环境温度-30℃~70℃，最高耐温120℃。
- ◆ 海拔高度≤3000m。
- ◆ 工频耐压3000V/1min 50Hz。
- ◆ 用于没有雨雪直接侵袭，无严重污染及剧烈震动的场所。
- ◆ Protection CT primary current 200-6300A, secondary current 5A, 1A, 0.1A, 0.05A.
- ◆ Rated working voltage AC0.66kV(equivalent AC0.69kV, GB/T156-2007).
- ◆ Rated frequency 50/60Hz.
- ◆ Ambient temperature -30℃~70℃, maximum temperature resistance 120℃.
- ◆ Altitude ≤3000m.
- ◆ Power frequency voltage 3000V/1min 50Hz.
- ◆ Used in places without direct invasion of rain and snow, without serious pollution and severe vibration.

## > 功能特点 Functional features

该系列互感器用于采集低压过载、短路信号，与保护继电器、电机保护器配套使用。

This series of transformer is used to collect low voltage overload and short circuit signals, and is matched with protective relays and motor protectors.

## > 外形及安装尺寸 Outline and installation dimensions

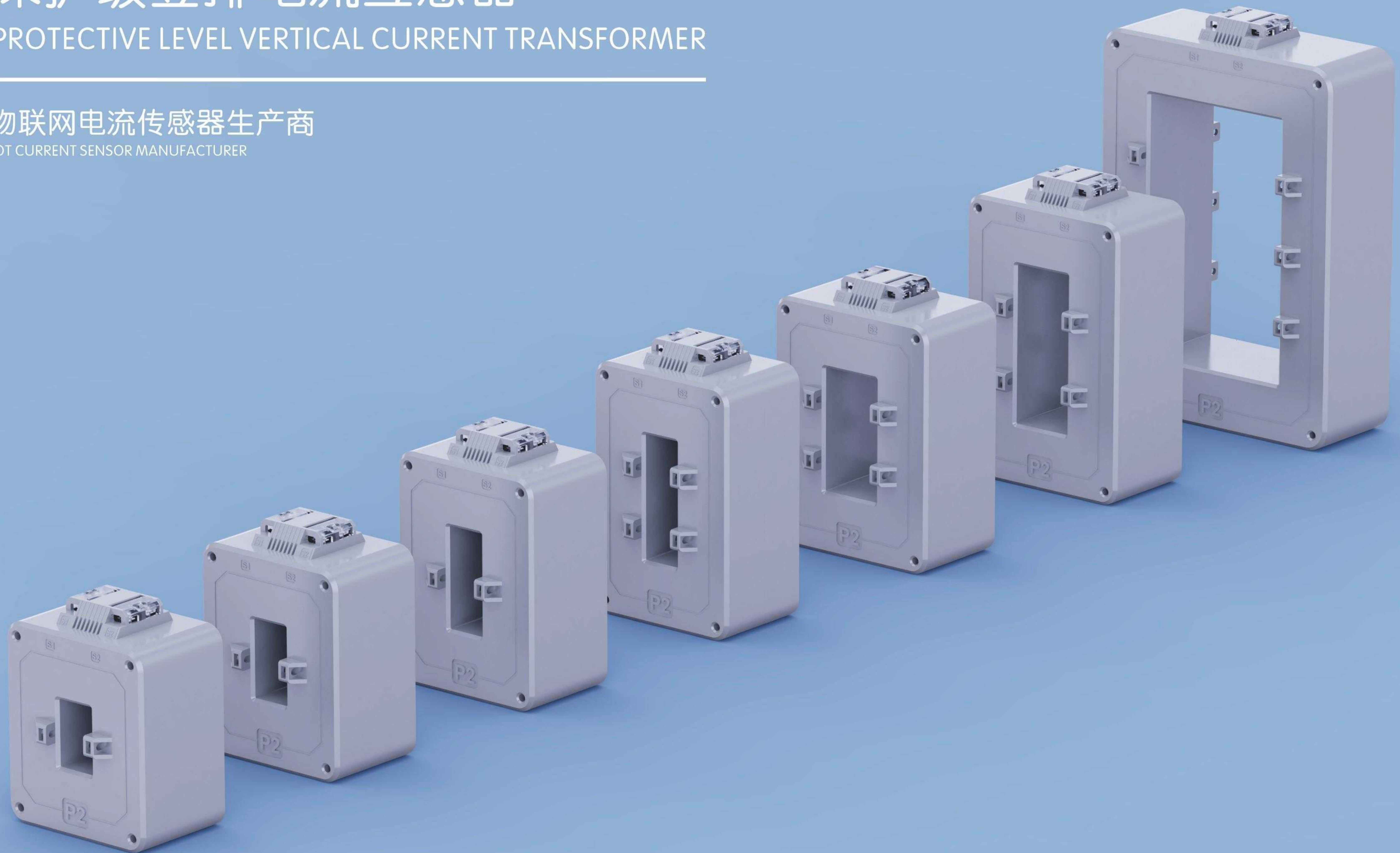


# 保护级竖排电流互感器

PROTECTIVE LEVEL VERTICAL CURRENT TRANSFORMER

物联网电流传感器生产商

IOT CURRENT SENSOR MANUFACTURER



专业，方能体现品质和效率  
Professional, can reflect quality and efficiency

## > 产品概述 Product overview

SEN-BHP3系列保护电流互感器在测量交变电流的大电流时，为便于二次仪表测量需要转换为比较统一的电流（我国规定电流互感器的二次额定为5A或1A）。电流互感器在短路过渡过程中是否能正确传变一次电流，对继电保护的正确动作起着决定性的作用，保护用电流互感器(TA)主要与继电保护装置配合，在线路发生短路等故障时，向继电装置提供信号切断故障电路，保护电力系统的安全。保护用电流互感器英文名称：low voltage protective current transformer一次测量范围200-6300A，二次输出5A、1A，主要准确级有：5P10、10P10、10P20、5P20等。采集低压过载、短路信号，与电动机保护单元配套使用。

When measuring the high current of alternating current, SEN-BHP3 series current transformers need to be converted to a relatively uniform current for the convenience of secondary instrument measurement (the secondary rating of current transformers is set as 5A or 1A in China). Current transformer in the process of short circuit transition can correct the primary current, the relay protection of right action plays a decisive role, protective current transformer (TA) mainly cooperate with relay protection devices, such as short circuit occurred in line failure, provide signals to cut off the fault circuit to relay device, protect the safety of the power system. Name of protective current transformer: low voltage protective current transformer Primary measuring range 200-6300A, secondary output 5A, 1A, main accuracy levels: 5P10, 10P10, 10P20, 5P20, etc. Collect low voltage overload and short circuit signals, and use with motor protection unit.

## > 技术指标 Technical indicators

- ◆ 保护CT一次电流200-6300A，二次电流5A，1A，0.1A，0.05A。
- ◆ 额定工作电压AC0.66kV(等效AC0.69kV，GB/T156-2007)。
- ◆ 额定频率50/60Hz。
- ◆ 环境温度-30℃~70℃，最高耐温120℃。
- ◆ 海拔高度≤3000m。
- ◆ 工频耐压3000V/1min 50Hz。
- ◆ 用于没有雨雪直接侵袭，无严重污染及剧烈震动的场所。
- ◆ Protection CT primary current 200-6300A, secondary current 5A, 1A, 0.1A, 0.05A.
- ◆ Rated working voltage AC0.66kV(equivalent AC0.69kV, GB/T156-2007).
- ◆ Rated frequency 50/60Hz.
- ◆ Ambient temperature -30℃~70℃, maximum temperature resistance 120℃.
- ◆ Altitude ≤3000m.
- ◆ Power frequency voltage 3000V/1min 50Hz.
- ◆ Used in places without direct invasion of rain and snow, without serious pollution and severe vibration.

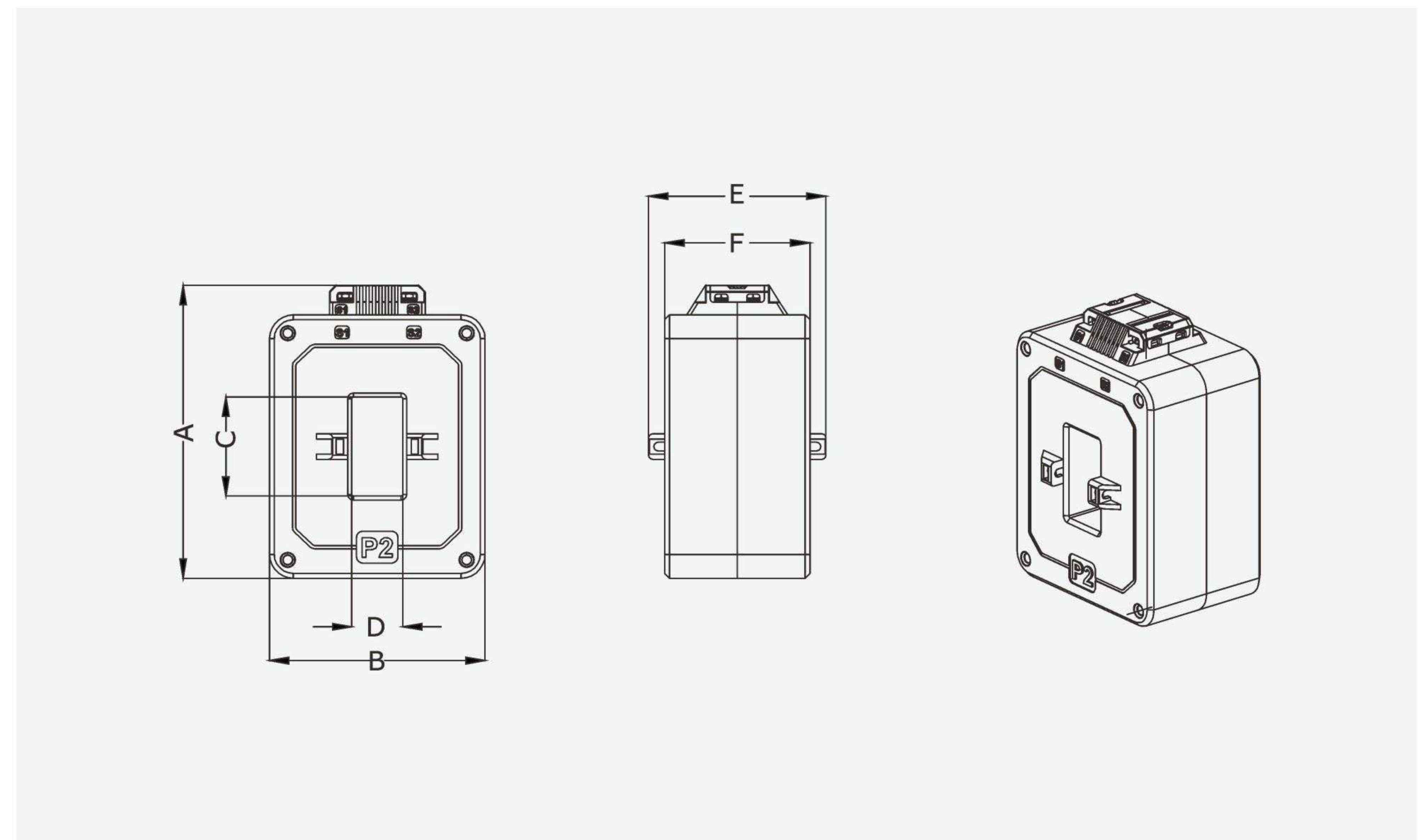
## > 功能特点 Functional features

该系列互感器用于采集低压过载、短路信号，与保护继电器、电机保护器配套使用。

This series of transformer is used to collect low voltage overload and short circuit signals, and is matched with protective relays and motor protectors.

## > 外形及安装尺寸 Outline and installation dimensions

型号 Model	外形尺寸 Dimensions(mm)					
	A	B	C	D	E	F
BHP3-53	173.5	135	52	32	110	90
BHP3-63	183.5	135	62	32	110	90
BHP3-83	203.5	135	82	32	110	90
BHP3-103	223.5	135	102	32	110	90
BHP3-135	255.5	155	134	52	110	90
BHP3-2213	343.5	235	225	135	110	90



# 保护级横排电流互感器

PROTECTED HORIZONTAL CURRENT TRANSFORMER

物联网电流传感器生产商

IOT CURRENT SENSOR MANUFACTURER



专业，方能体现品质和效率  
Professional, can reflect quality and efficiency

# BHP4 保护级横排电流互感器 PROTECTED HORIZONTAL CURRENT TRANSFORMER

# YUCHENG

## > 产品概述 Product overview

SEN-BHP4系列保护级横排电流互感器在测量交变电流的大电流时，为便于二次仪表测量需要转换为比较统一的电流（我国规定电流互感器的二次额定为5A或1A）。电流互感器在短路过渡过程中是否能正确转变一次电流，对继电保护的正确动作起着决定性的作用，保护用电流互感器(TA)主要与继电保护装置配合，在线路发生短路等故障时，向继电装置提供信号切断故障电路，保护电力系统的安全。保护用电流互感器英文名称：low voltage protective current transformer一次测量范围200-6300A，二次输出5A、1A，主要准确级有：5P10、10P10、10P20、5P20等。采集低压过载、短路信号，与电动机保护单元配套使用。

SEN-BHP4 series protected horizontal current transformers need to be converted to a relatively uniform current for the convenience of secondary instrument measurement when measuring the high current of alternating current (the secondary rating of current transformers is set as 5A or 1A in China). Current transformer in the process of short circuit transition can correct the primary current, the relay protection of right action plays a decisive role, protective current transformer (TA) mainly cooperate with relay protection devices, such as short circuit occurred in line failure, provide signals to cut off the fault circuit to relay device, protect the safety of the power system. Name of protective current transformer: low voltage protective current transformer Primary measuring range 200-6300A, secondary output 5A, 1A, main accuracy levels: 5P10, 10P10, 10P20, 5P20, etc. Collect low voltage overload and short circuit signals, and use with motor protection unit.

## > 技术指标 Technical indicators

- ◆ 保护CT一次电流200-6300A，二次电流5A，1A，0.1A，0.05A。
- ◆ 额定工作电压AC0.66kV(等效AC0.69kV，GB/T156-2007)。
- ◆ 额定频率50/60Hz。
- ◆ 环境温度-30℃~70℃，最高耐温120℃。
- ◆ 海拔高度≤3000m。
- ◆ 工频耐压3000V/1min 50Hz。
- ◆ 用于没有雨雪直接侵袭，无严重污染及剧烈震动的场所。
- ◆ Protection CT primary current 200-6300A, secondary current 5A, 1A, 0.1A, 0.05A.
- ◆ Rated working voltage AC0.66kV(equivalent AC0.69kV, GB/T156-2007).
- ◆ Rated frequency 50/60Hz.
- ◆ Ambient temperature -30℃~70℃, maximum temperature resistance 120℃.
- ◆ Altitude ≤3000m.
- ◆ Power frequency voltage 3000V/1min 50Hz.
- ◆ Used in places without direct invasion of rain and snow, without serious pollution and severe vibration.

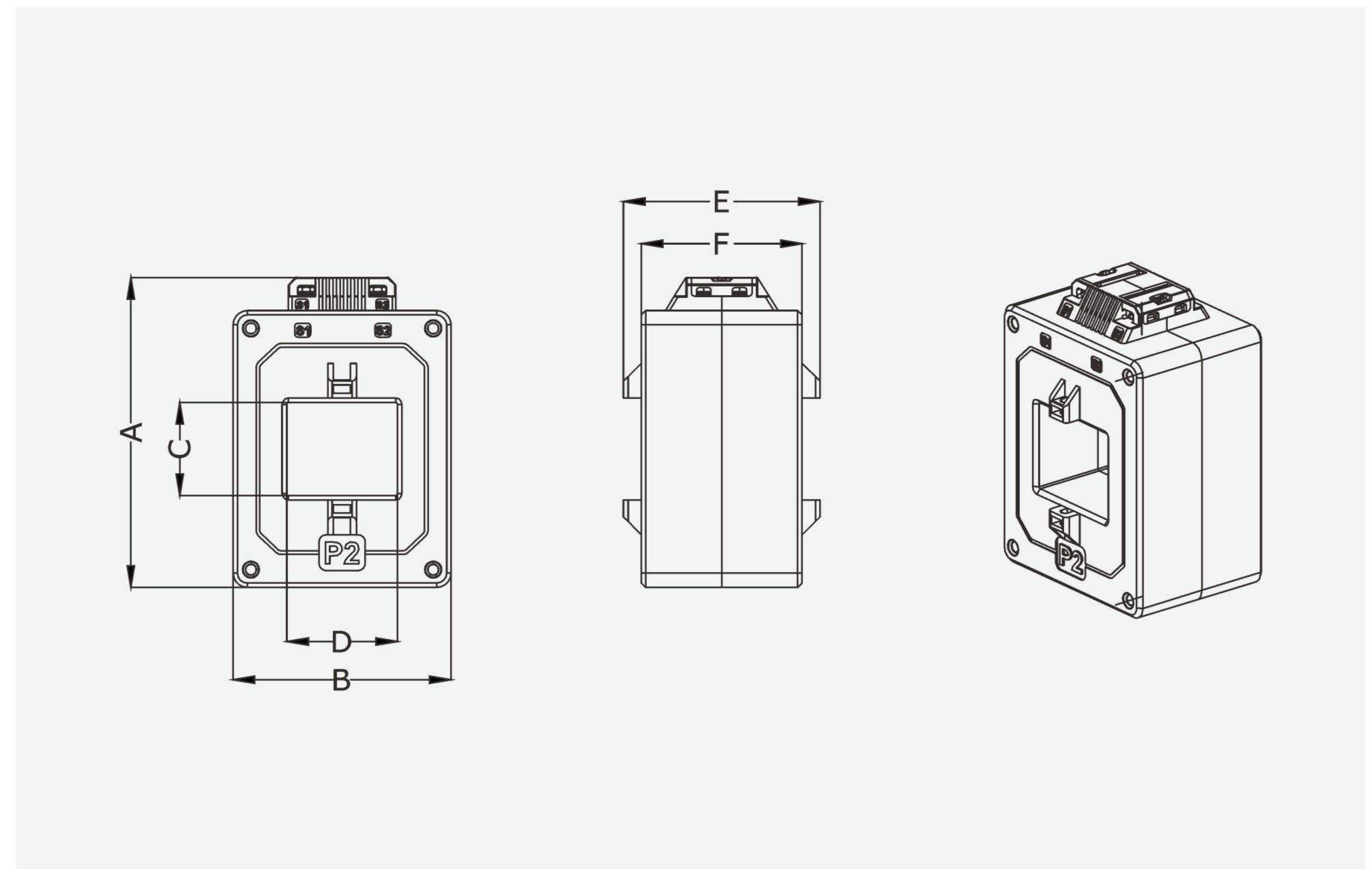
## > 功能特点 Functional features

该系列互感器用于采集低压过载、短路信号，与保护继电器、电机保护器配套使用。

This series of transformer is used to collect low voltage overload and short circuit signals, and is matched with protective relays and motor protectors.

## > 外形及安装尺寸 Outline and installation dimensions

型号 Model	外形尺寸 Dimensions(mm)					
	A	B	C	D	E	F
BHP4-55	173.5	111	52	52	110	90
BHP4-56	173.5	122	52	62	110	90
BHP4-58	173.5	142	52	82	110	90
BHP4-510	173.5	182	52	102	110	90
BHP4-813	220.5	132	82	132	110	90



# 电流互感器

CURRENT TRANSFORMER

物联网电流传感器生产商

IOT CURRENT SENSOR MANUFACTURER



专业，方能体现品质和效率  
Professional, can reflect quality and efficiency

# BH/EMS 电流互感器 CURRENT TRANSFORMER

# YUCHENG

## > 产品概述 Product overview

BH/EMS电流互感器主要用于电缆和铜排，其结构简单、设计合理、应用灵活，并根据主回路所用的电缆铜排规格有多种穿心孔径相对应，主回路一次电流包含了50A~6000A,额定二次输出电流IA~5A[0~1V]。本系列产品能够满足0.2级，0.5级，1级等不同精度的技术要求。GB/T20840.1.2。

BH/EMS current transformer is mainly used in cables and copper bars. It has simple structure, reasonable design and flexible application. According to the specifications of cable copper bars used in the main loop, there are a variety of core aperture corresponding to the main loop. This series of products can meet the technical requirements of 0.2, 0.5, 1 and other different precision. GB/T20840.1.2.

## > 产品特点 Product features

- ◆ 开合式结构，易于安装。
- ◆ 本系列产品共计6个规格，一次电流范围覆盖4000A以内。
- ◆ 二次输出为5A[0~1V]的标准信号。
- ◆ Open and close structure, easy to install.
- ◆ This series of products total 6 specifications, the primary current range covering 4000A.
- ◆ Secondary output is 5A[0~1V] standard signal.

## > 应用范围 Scope of application

电力监控、能耗管理、智慧用电系统、电磁继电器保护、微机保护、电动机保护、农网改造等。

Power monitoring, energy consumption management, intelligent power system, electromagnetic relay protection, microcomputer protection, motor protection, rural grid transformation, etc.

## > 性能指标 Performance index

电气参数 Electrical parameters		机械参数 Mechanical parameters	
工作频率 Working frequency	50~400Hz	外壳 Shell	ABS, 阻燃等级94-V0 ABS, Flame retardant grade 94-V0
设备最高 Highest equipment	0.66\0.72KVrms	骨架 Skeleton	PBT
一次电流输入 Primary current input	100~6000Arms	铁芯 Iron core	镍钢或纳米晶 Nickel or nanocrystalline
二次电流输出 Secondary current output	5\IArms	内部结构 Internal structure	环保型环氧树脂浇注 Environment friendly epoxy resin casting
比值差 Ratio difference	≤ ± 0.1%	施工方案 Construction plan	螺丝固定 Screw fixation
相位差 Phase difference	≤ ± 10分	工作温度 Working temperature	-12℃~ +45℃
介质强度 Dielectric strength	2.5KV/7mA/lmin	环境湿度 Ambient humidity	≤ 85%
绝缘电阻 Insulation resistance	DC500V/1000MQ /min	接线方式 Connection mode	端子型/屏蔽绞线1.5米 Terminal type / shielded strand 1.5m

## > 外形及安装尺寸 Outline and installation dimensions

