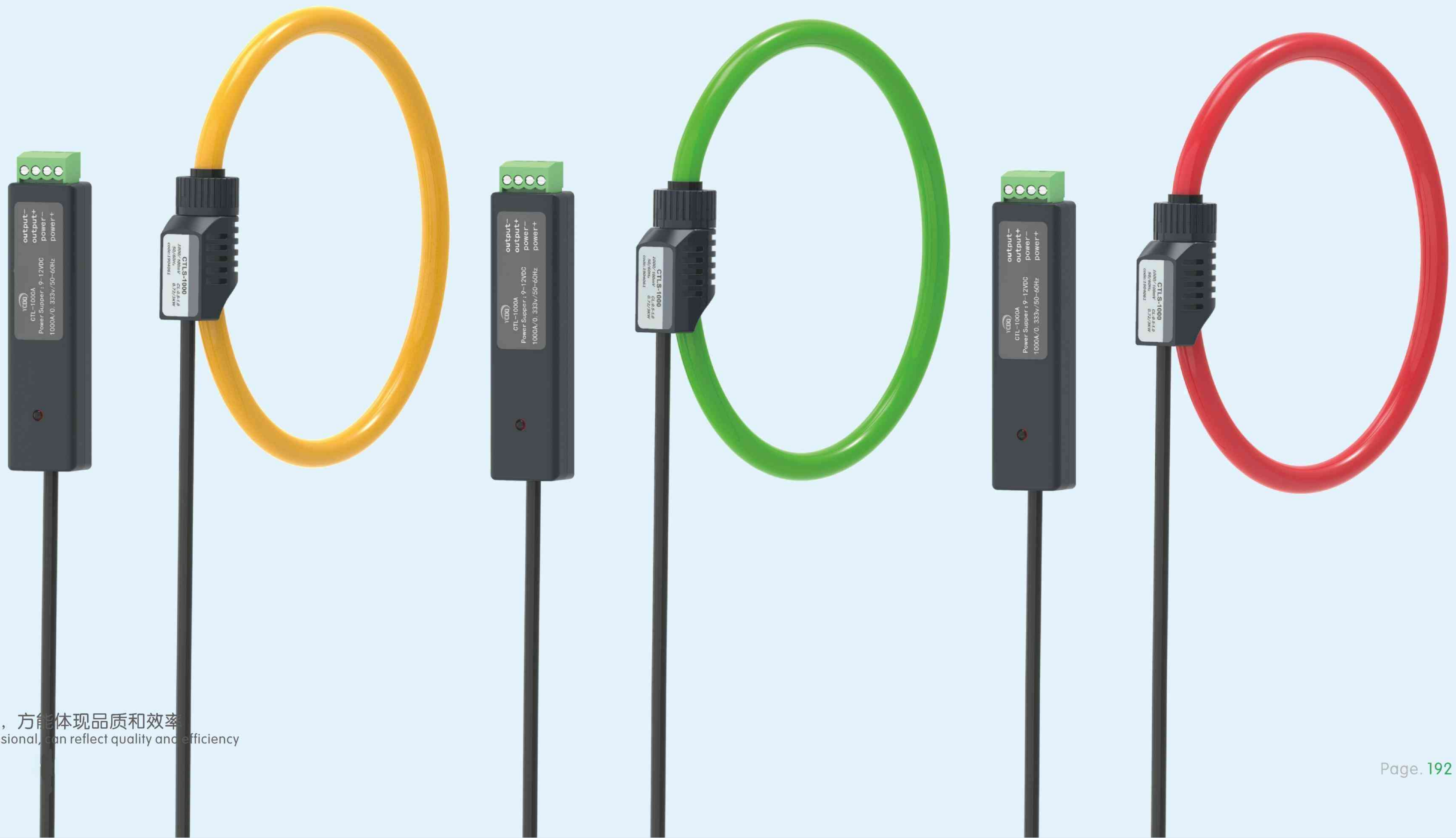


罗氏线圈互感器(柔性开口互感器)

ROCHE COIL TRANSFORMER (FLEXIBLE OPENING TRANSFORMER)

物联网电流传感器生产商
IOT CURRENT SENSOR MANUFACTURER



专业，方能体现品质和效率
Professional, can reflect quality and efficiency

罗氏线圈互感器(柔性开口互感器)

ROCHE COIL TRANSFORMER (FLEXIBLE OPENING TRANSFORMER)

物联网电流传感器生产商

IOT CURRENT SENSOR MANUFACTURER



专业，方能体现品质和效率
Professional, can reflect quality and efficiency

CTLS 罗氏线圈互感器(柔性开口互感器) ROCHE COIL TRANSFORMER (FLEXIBLE OPENING TRANSFORMER)

YUCHENG

> 产品概述 Product overview

柔性罗氏线圈电流传感器用于测量交流电流，尤其是大电流测量。由于其柔性特点，可以用来测量尺寸很大(如导体直径≥3米)或形状不规则或导体之间空间很狭窄的导体电流(例如传统钳形电流探头无法测量时，用柔性罗氏线圈电流传感器可以方便地测量)。接头有临时型和长久型，前者为插拔式，用于便携式仪器或电流的临时测量，用于电流的在线长时间测量。安装方便，无需破坏导体。

Flexible roche coil current sensor is used to measure AC current, especially high current. Because of its flexible characteristics, it can be used to measure the conductor current with large size (such as conductor diameter ≥ 3M) or irregular shape or narrow space between conductors (for example, when the traditional clamp current probe can not measure, the flexible Rogowski coil current sensor can be used to measure conveniently). The former is plug-in type, which is used for temporary measurement of portable instrument or current, and for on-line long-time measurement of current. It is easy to install without damaging the conductor.

> 技术参数 Technical parameter

- ◆ 最高耐压: 0.66KV(如有特殊要求可定制)
- ◆ 额定一次电流: 0A~300KA
- ◆ 额定二次输出: 带积分: 4V、1A (A.C)或4~20mA(D.C); 无积分: 100mV/kA、50mV/kV
- ◆ 准确级: 1%
- ◆ 额定辅助电源: ±12V、24V、5V D.C或者220V A.C
- ◆ 额定功耗: ≤10W, 工作频率1HZ—1MHZ

备注: 1、其他规格产品可以根据客户具体要求定制。

- ◆ Maximum withstand voltage: 0.66kv (customized for special requirements)
- ◆ Rated primary current: 0A ~ 300kA
- ◆ Rated secondary output: with integral: 4V, 1A (A.C) or 4~20mA(D.C.); No integral: 100mV/kA, 50mV/kV
- ◆ Accuracy: 1%
- ◆ Rated auxiliary power supply: ± 12V, 24V, 5V D.C or 220V A.C
- ◆ Rated power consumption: ≤ 10W, working frequency 1hz-1mhz

Note: 1. Other specifications can be customized according to the specific requirements of customers.

> 性能指标 Performance index

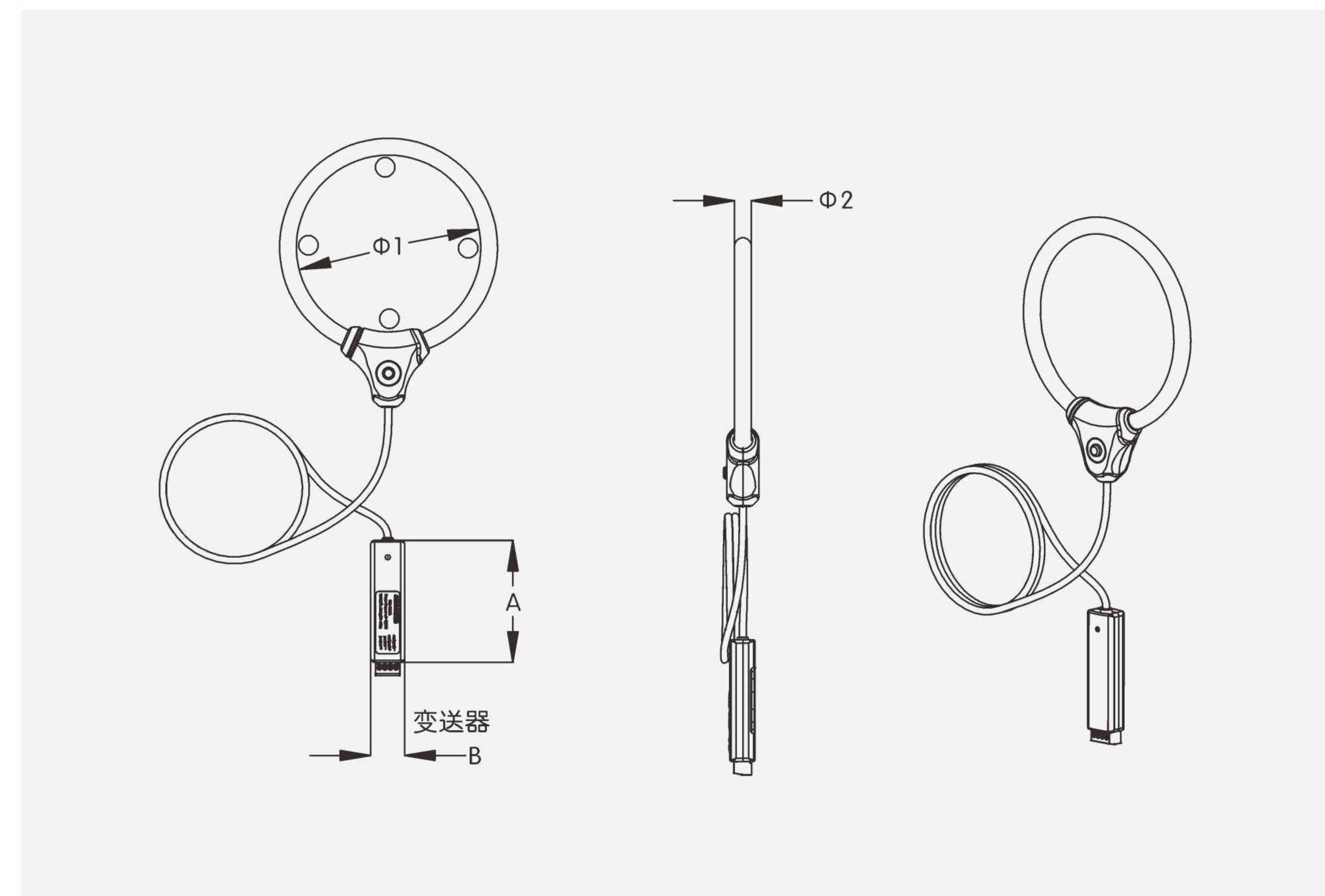
10%~100% 准确度 Accuracy	5%(不带积分器) 1%(加积分器, 45~65HZ)
相位误差 Phase error	W ± 1° (45~65HZ) W ± 10° (20KHZ)
10%~100%线性度 Linearity	0.50%
积分器电源 Integrator power supply	7~30VDC
响应频宽 Response bandwidth	1HZ~1MHZ
线圈截面直径 Coil section diameter	W7.5、W10、W12mm or 客户自订 Custom made
线圈长度 Coil length	W2M or 客户自订 Custom made
使用海拔 Use altitude	W2000M
IP防护等级 Protection level	IP65
材质 Texture of material	硅橡胶 Silicon rubber
二次引线 Secondary lead	屏蔽线, 长度自订 Shielded wire, length customized
耐压强度 Compressive strength	2KVAC/min
绝缘电阻 Insulation resistance	DC500V/100MQ

> 外形及安装尺寸 Outline and installation dimensions

型号规格 Model and specification	额定输入(A) Rated input	额定输出 (mA/v) Rated output	精度等级 Accuracy class	外形尺寸 Dimensions(mm)			
				Φ1	Φ2	A	B
CTLS	0~300KA	0~100mV	0.5 1.0 1.5 2.0	30	8 10 12	72	20
		4~20mADC		40			
		0~20mADC		80			
		0~5VDC		100			
		0~10VDC		150			
		0~5V		200			
		RS485		300			
				400			

备注: 可带积分器, 特殊规格尺寸可定制。

Note: integrators are available, special specifications and sizes can be customized.

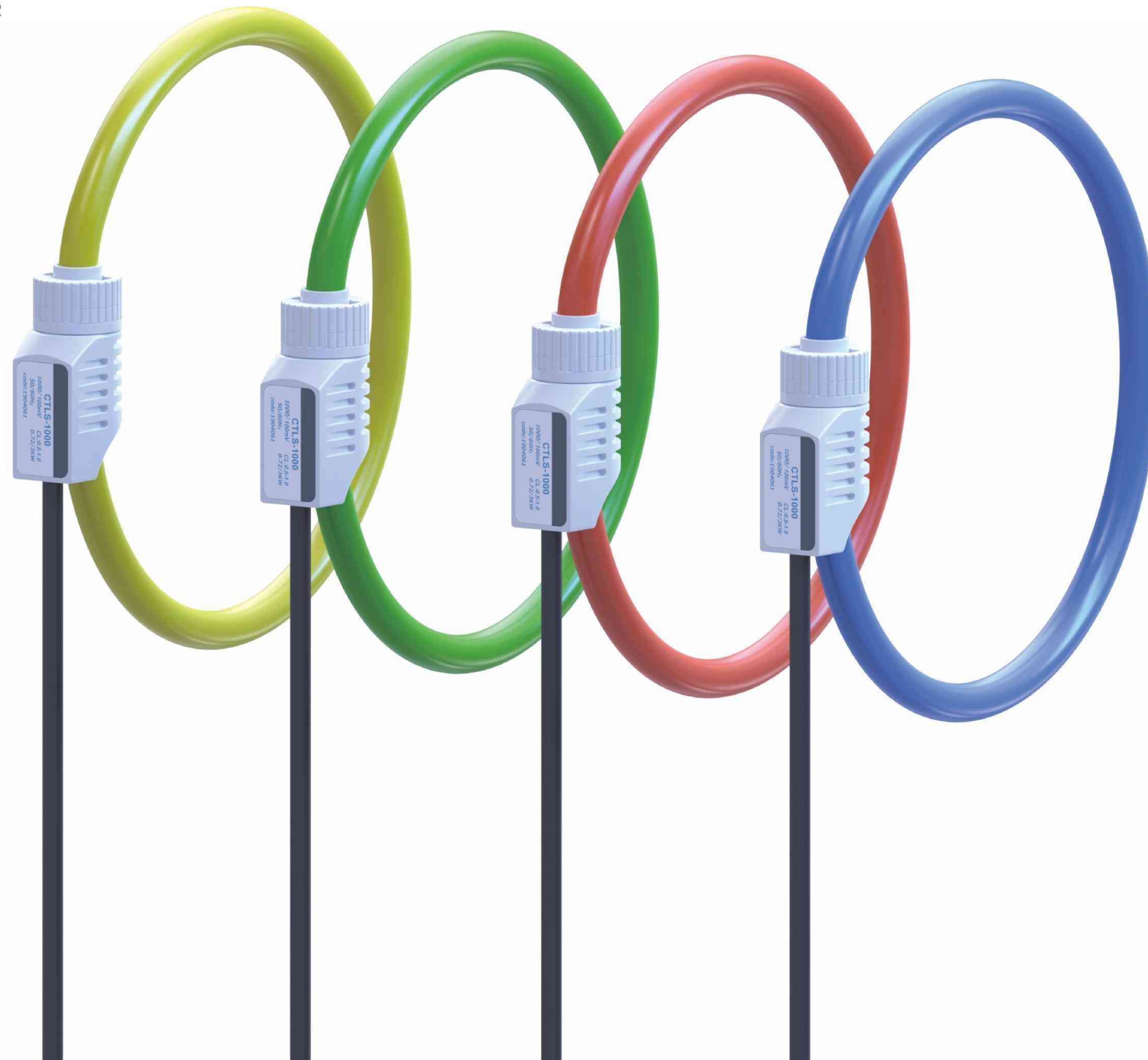


罗氏线圈互感器(柔性开口互感器)

ROCHE COIL TRANSFORMER (FLEXIBLE OPENING TRANSFORMER)

物联网电流传感器生产商

IOT CURRENT SENSOR MANUFACTURER



专业，方能体现品质和效率
Professional, can reflect quality and efficiency

CTLS1 罗氏线圈互感器(柔性开口互感器) ROCHE COIL TRANSFORMER (FLEXIBLE OPENING TRANSFORMER) YUCHENG

> 产品概述 Product overview

柔性罗氏线圈电流传感器用于测量交流电流，尤其是大电流测量。由于其柔性特点，可以用来测量尺寸很大(如导体直径≥3米)或形状不规则或导体之间空间很狭窄的导体电流(例如传统钳形电流探头无法测量时，用柔性罗氏线圈电流传感器可以方便地测量)。接头有临时型和长久型，前者为插拔式，用于便携式仪器或电流的临时测量，用于电流的在线长时间测量。安装方便，无需破坏导体。

Flexible roche coil current sensor is used to measure AC current, especially high current. Because of its flexible characteristics, it can be used to measure the conductor current with large size (such as conductor diameter ≥ 3M) or irregular shape or narrow space between conductors (for example, when the traditional clamp current probe can not measure, the flexible Rogowski coil current sensor can be used to measure conveniently). The former is plug-in type, which is used for temporary measurement of portable instrument or current, and for on-line long-time measurement of current. It is easy to install without damaging the conductor.

> 技术参数 Technical parameter

- ◆ 最高耐压: 0.66KV(如有特殊要求可定制)
 - ◆ 额定一次电流: 0A~300KA
 - ◆ 额定二次输出: 带积分: 4V、1A (A.C)或4~20mA(D.C); 无积分: 100mV/kA、50mV/kV
 - ◆ 准确级: 1%
 - ◆ 额定辅助电源: ±12V、24V、5V D.C或者220V A.C
 - ◆ 额定功耗: ≤10W, 工作频率1HZ—1MHZ
- 备注: 1、其他规格产品可以根据客户具体要求定制。
- ◆ Maximum withstand voltage: 0.66kv (customized for special requirements)
 - ◆ Rated primary current: 0A ~ 300kA
 - ◆ Rated secondary output: with integral: 4V, 1A (A.C) or 4~20mA(D.C.); No integral: 100mV/kA, 50mV/kV
 - ◆ Accuracy: 1%
 - ◆ Rated auxiliary power supply: ± 12V, 24V, 5V D.C or 220V A.C
 - ◆ Rated power consumption: ≤ 10W, working frequency 1hz-1mhz
- Note: 1. Other specifications can be customized according to the specific requirements of customers.

> 性能指标 Performance index

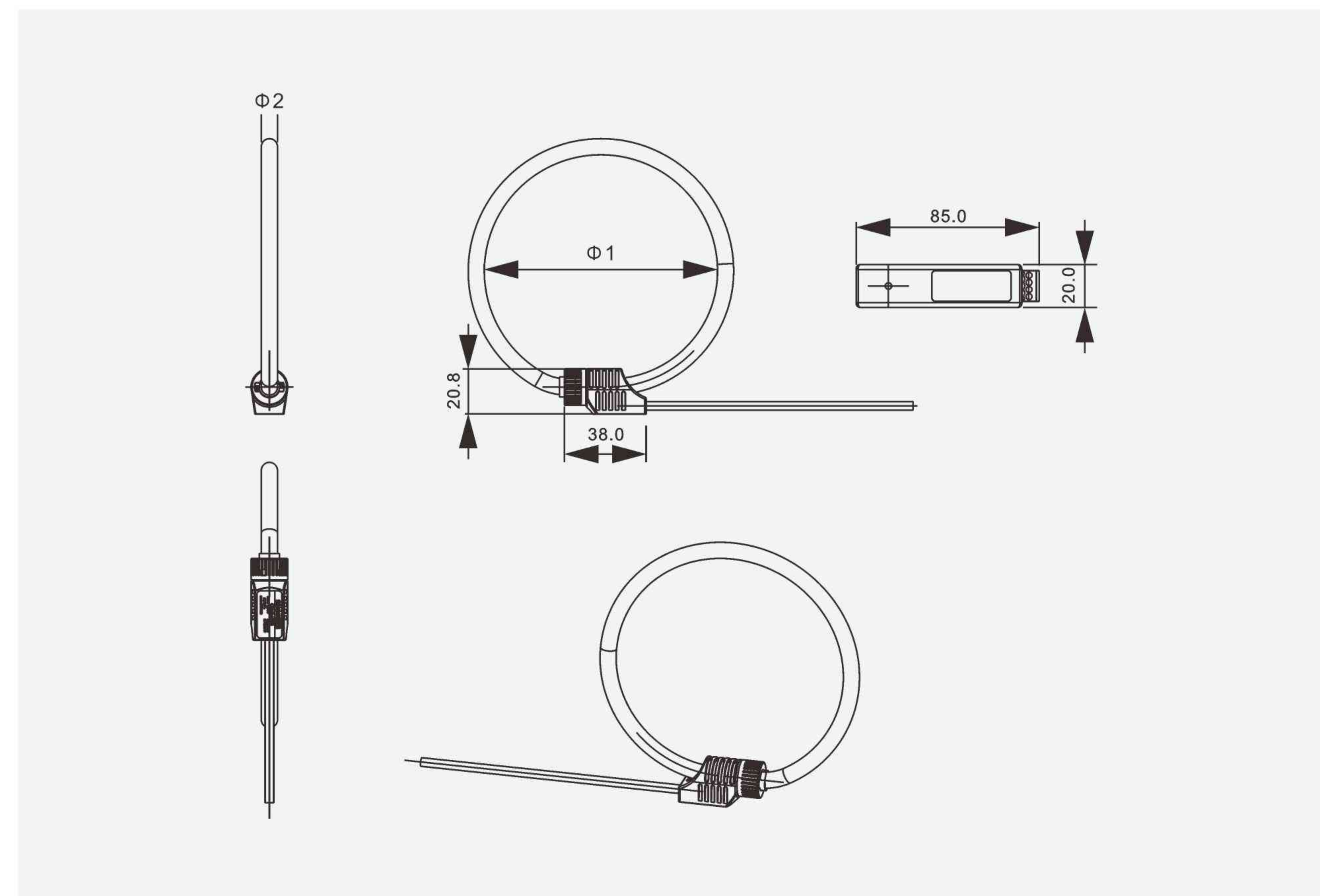
10%~100% 准确度 Accuracy	5%(不带积分器) 1%(加积分器, 45~65HZ)
相位误差 Phase error	W ± 1° (45~65HZ) W ± 10° (20KHZ)
10%~100%线性度 Linearity	0.50%
积分器电源 Integrator power supply	7~30VDC
响应频宽 Response bandwidth	1HZ~1MHZ
线圈截面直径 Coil section diameter	W7.5、W10、W12mm or 客户自订 Custom made
线圈长度 Coil length	W2M or 客户自订 Custom made
使用海拔 Use altitude	W2000M
IP防护等级 Protection level	IP65
材质 Texture of material	硅橡胶 Silicon rubber
二次引线 Secondary lead	屏蔽线, 长度自订 Shielded wire, length customized
耐压强度 Compressive strength	2KVAC/min
绝缘电阻 Insulation resistance	DC500V/100MQ

> 外形及安装尺寸 Outline and installation dimensions

型号规格 Model and specification	额定输入(A) Rated input	额定输出 (mA/v) Rated output	精度等级 Accuracy class	外形尺寸 Dimensions(mm)	
				Φ1	Φ2
CTLS1	0~300KA	0~100mV 4~20mADC 0~20mADC 0~5VDC 0~10VDC 0~5V RS485	0.5 1.0 1.5 2.0	30	7.5
				40	
				80	
				100	
				150	
				200	
300	12				
400					

备注: 可带积分器, 特殊规格尺寸可定制。

Note: integrators are available, special specifications and sizes can be customized.



罗氏线圈互感器(柔性开口互感器)

ROCHE COIL TRANSFORMER (FLEXIBLE OPENING TRANSFORMER)

物联网电流传感器生产商

IOT CURRENT SENSOR MANUFACTURER



专业，方能体现品质和效率
Professional, can reflect quality and efficiency

www.cnlr.com

CTLSX 罗氏线圈互感器(柔性开口互感器) ROCHE COIL TRANSFORMER (FLEXIBLE OPENING TRANSFORMER)

YUCHENG

> 产品概述 Product overview

柔性罗氏线圈电流传感器用于测量交流电流，尤其是大电流测量。由于其柔性特点，可以用来测量尺寸很大(如导体直径≥3米)或形状不规则或导体之间空间很狭窄的导体电流(例如传统钳形电流探头无法测量时，用柔性罗氏线圈电流传感器可以方便地测量)。接头有临时型和长久型，前者为插拔式，用于便携式仪器或电流的临时测量，用于电流的在线长时间测量。安装方便，无需破坏导体。

Flexible roche coil current sensor is used to measure AC current, especially high current. Because of its flexible characteristics, it can be used to measure the conductor current with large size (such as conductor diameter ≥ 3M) or irregular shape or narrow space between conductors (for example, when the traditional clamp current probe can not measure, the flexible Rogowski coil current sensor can be used to measure conveniently). The former is plug-in type, which is used for temporary measurement of portable instrument or current, and for on-line long-time measurement of current. It is easy to install without damaging the conductor.

> 技术参数 Technical parameter

- ◆ 最高耐压: 0.66KV(如有特殊要求可定制)
 - ◆ 额定一次电流: 0A~300KA
 - ◆ 额定二次输出: 带积分: 4V、1A (A.C)或4~20mA(D.C); 无积分: 100mV/kA、50mV/kV
 - ◆ 准确级: 1%
 - ◆ 额定辅助电源: ±12V、24V、5V D.C或者220V A.C
 - ◆ 额定功耗: ≤10W, 工作频率1HZ—1MHZ
- 备注: 1、其他规格产品可以根据客户具体要求定制。
- ◆ Maximum withstand voltage: 0.66kv (customized for special requirements)
 - ◆ Rated primary current: 0A ~ 300kA
 - ◆ Rated secondary output: with integral: 4V, 1A (A.C) or 4~20mA(D.C.); No integral: 100mV/kA, 50mV/kV
 - ◆ Accuracy: 1%
 - ◆ Rated auxiliary power supply: ± 12V, 24V, 5V D.C or 220V A.C
 - ◆ Rated power consumption: ≤ 10W, working frequency 1hz-1mhz
- Note: 1. Other specifications can be customized according to the specific requirements of customers.

> 性能指标 Performance index

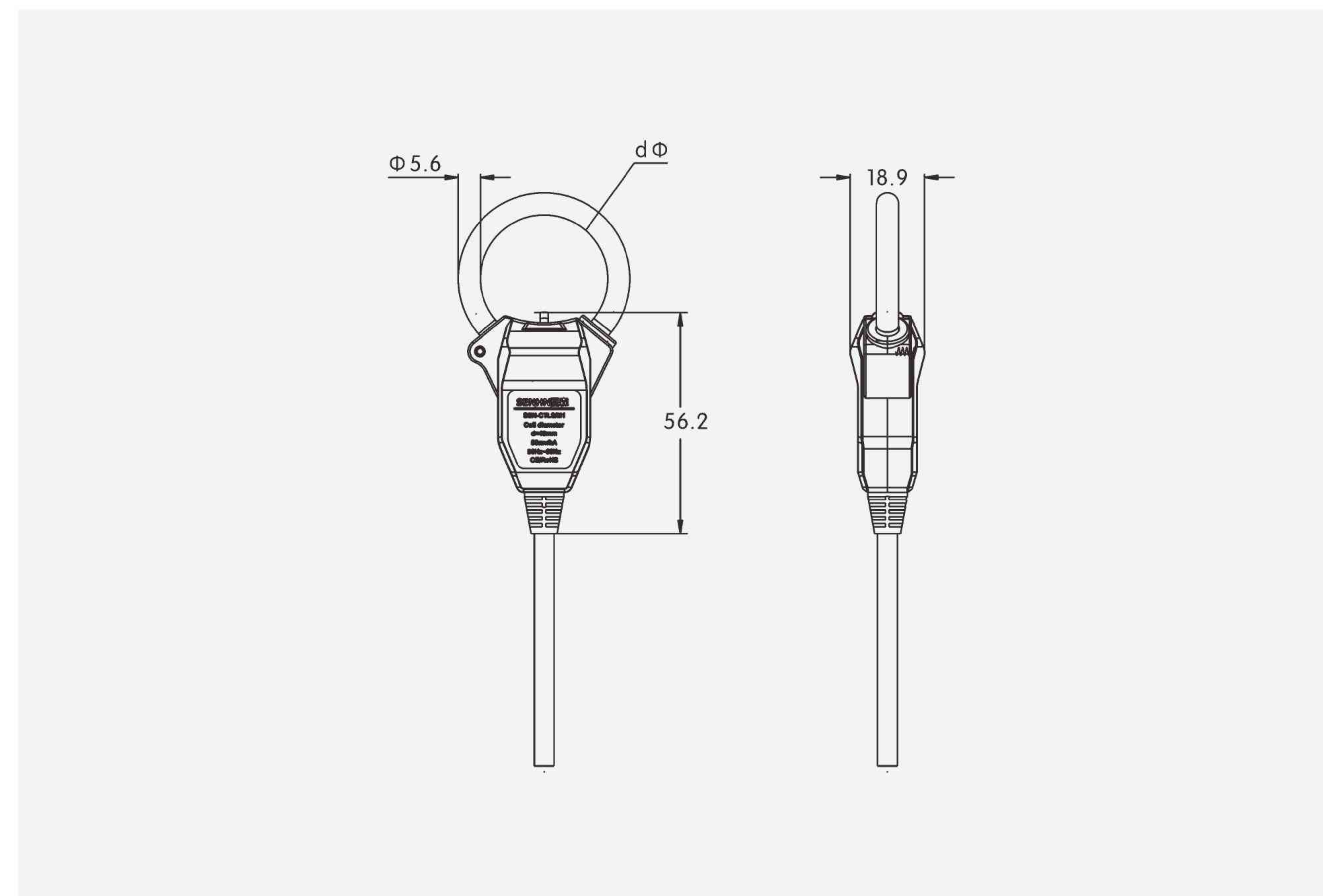
10%~100% 准确度 Accuracy	5%(不带积分器) 1%(加积分器, 45~65HZ)
相位误差 Phase error	W ± 1° (45~65HZ) W ± 10° (20KHZ)
10%~100%线性度 Linearity	0.50%
积分器电源 Integrator power supply	7~30VDC
响应频宽 Response bandwidth	1HZ~1MHZ
线圈截面直径 Coil section diameter	W7.5、W10、W12mm or 客户自订 Custom made
线圈长度 Coil length	W2M or 客户自订 Custom made
使用海拔 Use altitude	W2000M
IP防护等级 Protection level	IP65
材质 Texture of material	硅橡胶 Silicon rubber
二次引线 Secondary lead	屏蔽线, 长度自订 Shielded wire, length customized
耐压强度 Compressive strength	2KVAC/min
绝缘电阻 Insulation resistance	DC500V/100MQ

> 外形及安装尺寸 Outline and installation dimensions

型号规格 Model and specification	额定输入(A) Rated input	额定输出 (mA/v) Rated output	精度等级 Accuracy class	外形尺寸 Dimensions(mm)	
				Φ1	Φ2
CTLSX	0~300KA	0~100mV 4~20mADC 0~20mADC 0~5VDC 0~10VDC 0~5V RS485	0.5 1.0 1.5 2.0	30	7.5 10 12
				40	
				80	
				100	
				150	
				200	
				300	
400					

备注: 可带积分器, 特殊规格尺寸可定制。

Note: integrators are available, special specifications and sizes can be customized.

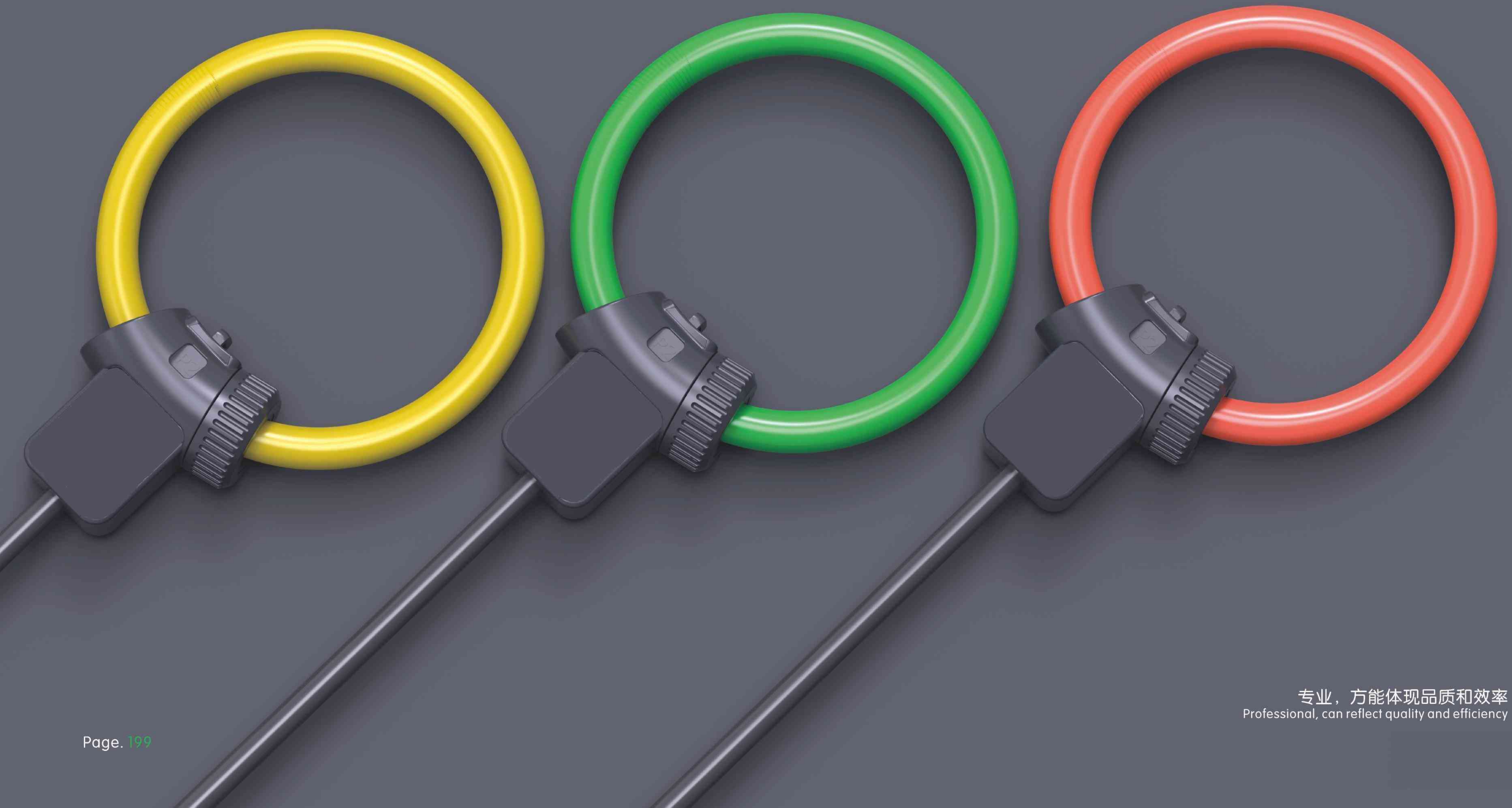


罗氏线圈互感器(柔性开口互感器)

ROCHE COIL TRANSFORMER (FLEXIBLE OPENING TRANSFORMER)

物联网电流传感器生产商

IOT CURRENT SENSOR MANUFACTURER



专业，方能体现品质和效率
Professional, can reflect quality and efficiency

CTLS2 罗氏线圈互感器(柔性开口互感器) ROCHE COIL TRANSFORMER (FLEXIBLE OPENING TRANSFORMER) YUCHENG

> 产品概述 Product overview

柔性罗氏线圈电流传感器用于测量交流电流，尤其是大电流测量。由于其柔性特点，可以用来测量尺寸很大(如导体直径 $\geq 3M$)或形状不规则或导体之间空间很狭窄的导体电流(例如传统钳形电流探头无法测量时，用柔性罗氏线圈电流传感器可以方便地测量)。接头有临时型和长久型，前者为插拔式，用于便携式仪器或电流的临时测量，用于电流的在线长时间测量。安装方便，无需破坏导体。

Flexible roche coil current sensor is used to measure AC current, especially high current. Because of its flexible characteristics, it can be used to measure the conductor current with large size (such as conductor diameter $\geq 3M$) or irregular shape or narrow space between conductors (for example, when the traditional clamp current probe can not measure, the flexible Rogowski coil current sensor can be used to measure conveniently). The former is plug-in type, which is used for temporary measurement of portable instrument or current, and for on-line long-time measurement of current. It is easy to install without damaging the conductor.

> 技术参数 Technical parameter

- ◆ 最高耐压: 0.66KV(如有特殊要求可定制)
- ◆ 额定一次电流: 0A~300KA
- ◆ 额定二次输出: 带积分: 4V、1A (A.C)或4~20mA(D.C); 无积分: 100mV/kA、50mV/kV
- ◆ 准确级: 1%
- ◆ 额定辅助电源: $\pm 12V$ 、24V、5V D.C或者220V A.C
- ◆ 额定功耗: $\leq 10W$ ，工作频率1HZ—1MHZ

备注: 1、其他规格产品可以根据客户具体要求定制。

- ◆ Maximum withstand voltage: 0.66kv (customized for special requirements)
- ◆ Rated primary current: 0A ~ 300kA
- ◆ Rated secondary output: with integral: 4V, 1A (A.C) or 4~20mA(D.C.); No integral: 100mV/kA, 50mV/kV
- ◆ Accuracy: 1%
- ◆ Rated auxiliary power supply: $\pm 12V$, 24V, 5V D.C or 220V A.C
- ◆ Rated power consumption: $\leq 10W$, working frequency 1hz-1mhz

Note: 1. Other specifications can be customized according to the specific requirements of customers.

> 性能指标 Performance index

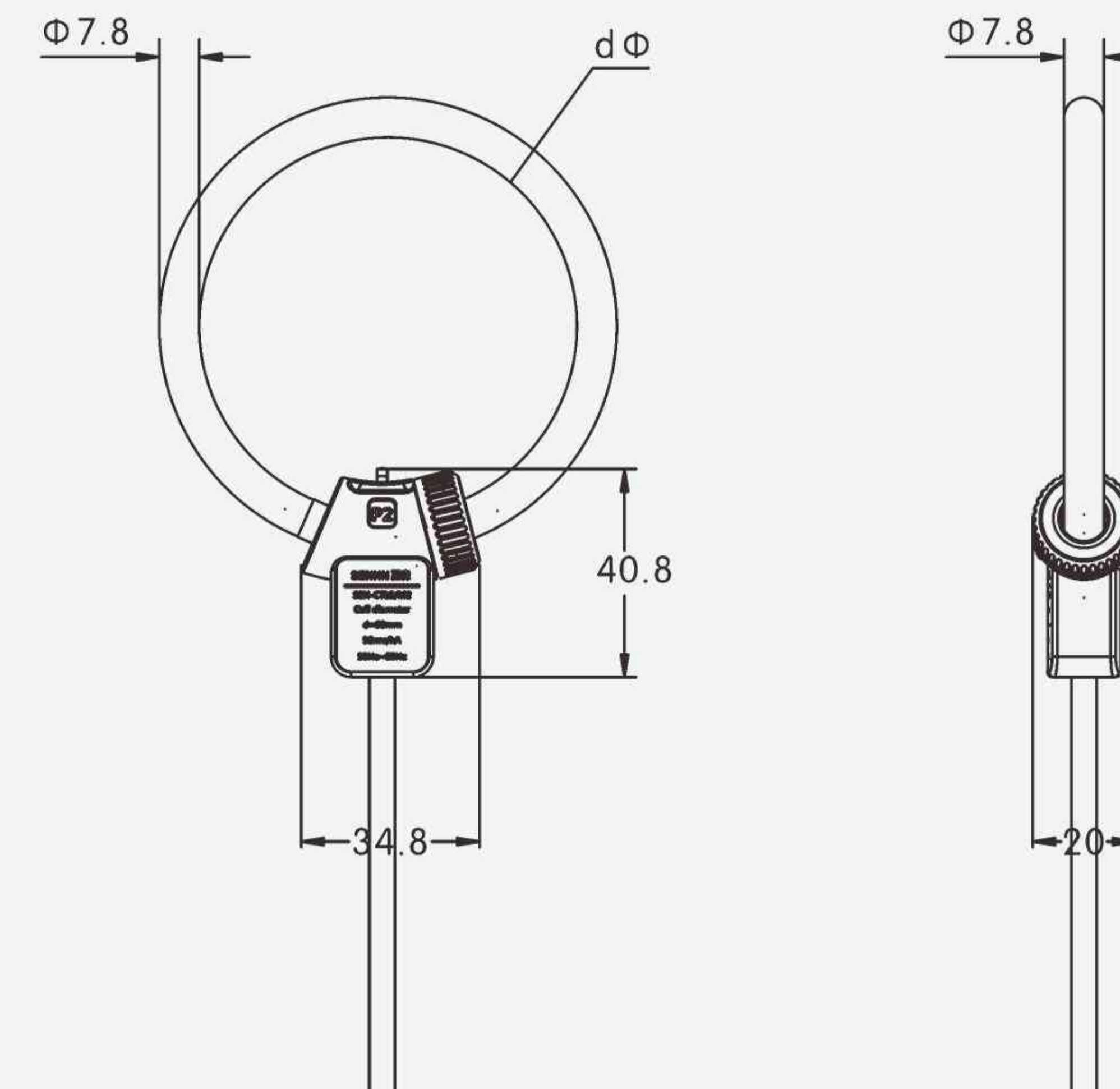
10%~100% 准确度 Accuracy	5%(不带积分器) 1%(加积分器, 45~65HZ)
相位误差 Phase error	$W \pm 1^\circ$ (45~65HZ) $W \pm 10^\circ$ (20KHZ)
10%~100%线性度 Linearity	0.50%
积分器电源 Integrator power supply	7~30VDC
响应频宽 Response bandwidth	1HZ~1MHZ
线圈截面直径 Coil section diameter	W7.5、W10、W12mm or 客户自订 Custom made
线圈长度 Coil length	W2M or 客户自订 Custom made
使用海拔 Use altitude	W2000M
IP防护等级 Protection level	IP65
材质 Texture of material	硅橡胶 Silicon rubber
二次引线 Secondary lead	屏蔽线, 长度自订 Shielded wire, length customized
耐压强度 Compressive strength	2KVAC/min
绝缘电阻 Insulation resistance	DC500V/100MQ

> 外形及安装尺寸 Outline and installation dimensions

型号规格 Model and specification	额定 输入(A) Rated input	额定输出 (mA/v) Rated output	精度等级 Accuracy class	外形尺寸 Dimensions(mm)	
				$\Phi 1$	$\Phi 2$
CTLS2	0~300KA	0~100mV 4~20mADC 0~20mADC 0~5VDC 0~10VDC 0~5V RS485	0.5 1.0 1.5 2.0	30	7.5
				40	
				80	
				100	
				150	
				200	
				300	
400					

备注: 可带积分器, 特殊规格尺寸可定制。

Note: integrators are available, special specifications and sizes can be customized.



罗氏线圈互感器(柔性开口互感器)

ROCHE COIL TRANSFORMER (FLEXIBLE OPENING TRANSFORMER)

物联网电流传感器生产商

IOT CURRENT SENSOR MANUFACTURER



专业，方能体现品质和效率
Professional, can reflect quality and efficiency

CTLS3 罗氏线圈互感器(柔性开口互感器) ROCHE COIL TRANSFORMER (FLEXIBLE OPENING TRANSFORMER)

YUCHENG

> 产品概述 Product overview

柔性罗氏线圈电流传感器用于测量交流电流，尤其是大电流测量。由于其柔性特点，可以用来测量尺寸很大(如导体直径≥3米)或形状不规则或导体之间空间很狭窄的导体电流(例如传统钳形电流探头无法测量时，用柔性罗氏线圈电流传感器可以方便地测量)。接头有临时型和长久型，前者为插拔式，用于便携式仪器或电流的临时测量，用于电流的在线长时间测量。安装方便，无需破坏导体。

Flexible roche coil current sensor is used to measure AC current, especially high current. Because of its flexible characteristics, it can be used to measure the conductor current with large size (such as conductor diameter ≥ 3M) or irregular shape or narrow space between conductors (for example, when the traditional clamp current probe can not measure, the flexible Rogowski coil current sensor can be used to measure conveniently). The former is plug-in type, which is used for temporary measurement of portable instrument or current, and for on-line long-time measurement of current. It is easy to install without damaging the conductor.

> 技术参数 Technical parameter

- ◆ 最高耐压: 0.66KV(如有特殊要求可定制)
- ◆ 额定一次电流: 0A~300KA
- ◆ 额定二次输出: 带积分: 4V、1A (A.C)或4~20mA(D.C); 无积分: 100mV/kA、50mV/kV
- ◆ 准确度: 1%
- ◆ 额定辅助电源: ±12V、24V、5V D.C或者220V A.C
- ◆ 额定功耗: ≤10W, 工作频率1HZ—1MHZ

备注: 1、其他规格产品可以根据客户具体要求定制。

- ◆ Maximum withstand voltage: 0.66kv (customized for special requirements)
- ◆ Rated primary current: 10A ~ 300kA
- ◆ Rated secondary output: with integral: 4V, 1A (A.C) or 4~20mA(D.C.); No integral: 100mV/kA, 50mV/kV
- ◆ Accuracy: 1%
- ◆ Rated auxiliary power supply: ± 12V, 24V, 5V D.C or 220V A.C
- ◆ Rated power consumption: ≤ 10W, working frequency 1hz-1mhz

Note: 1. Other specifications can be customized according to the specific requirements of customers.

> 性能指标 Performance index

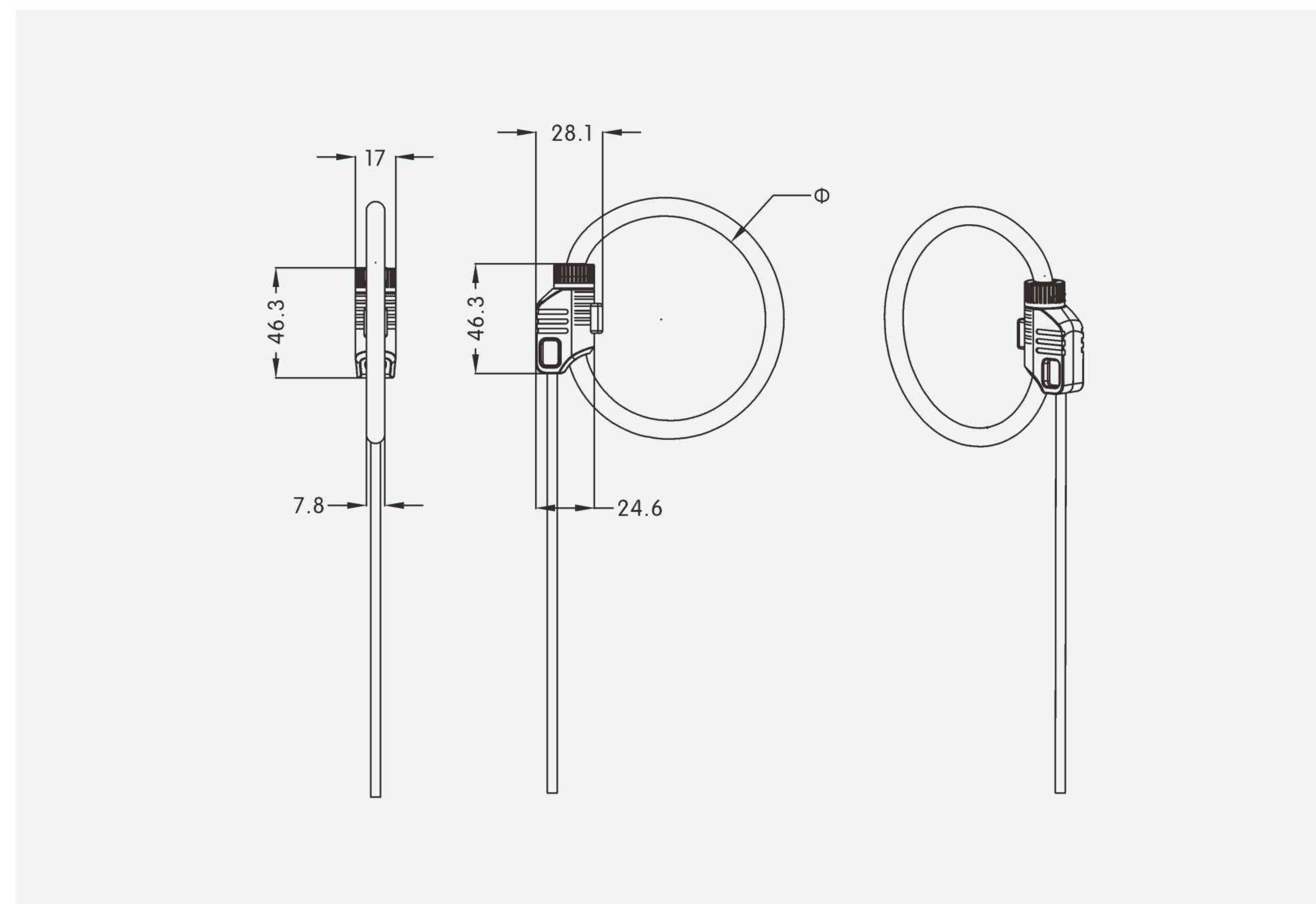
10%~100% 准确度 Accuracy	5%(不带积分器) 1%(加积分器, 45~65HZ)
相位误差 Phase error	W ± 1° (45~65HZ) W ± 10° (20KHZ)
10%~100%线性度 Linearity	0.50%
积分器电源 Integrator power supply	7~30VDC
响应频宽 Response bandwidth	1HZ~1MHZ
线圈截面直径 Coil section diameter	W7.5、W10、W12mm or 客户自订 Custom made
线圈长度 Coil length	W2M or 客户自订 Custom made
使用海拔 Use altitude	W2000M
IP防护等级 Protection level	IP65
材质 Texture of material	硅橡胶 Silicon rubber
二次引线 Secondary lead	屏蔽线, 长度自订 Shielded wire, length customized
耐压强度 Compressive strength	2KVAC/min
绝缘电阻 Insulation resistance	DC500V/100MQ

> 外形及安装尺寸 Outline and installation dimensions

型号规格 Model and specification	额定输入(A) Rated input	额定输出 (mA/v) Rated output	精度等级 Accuracy class	外形尺寸 Dimensions(mm)	
				Φ1	Φ2
CTLS3	0~300KA	0~100mV 4~20mADC 0~20mADC 0~5VDC 0~10VDC 0~5V RS485	0.5 1.0 1.5 2.0	30	7.5
				40	
				80	
				100	
				150	
				200	
300	12				
400					

备注: 可带积分器, 特殊规格尺寸可定制。

Note: integrators are available, special specifications and sizes can be customized.

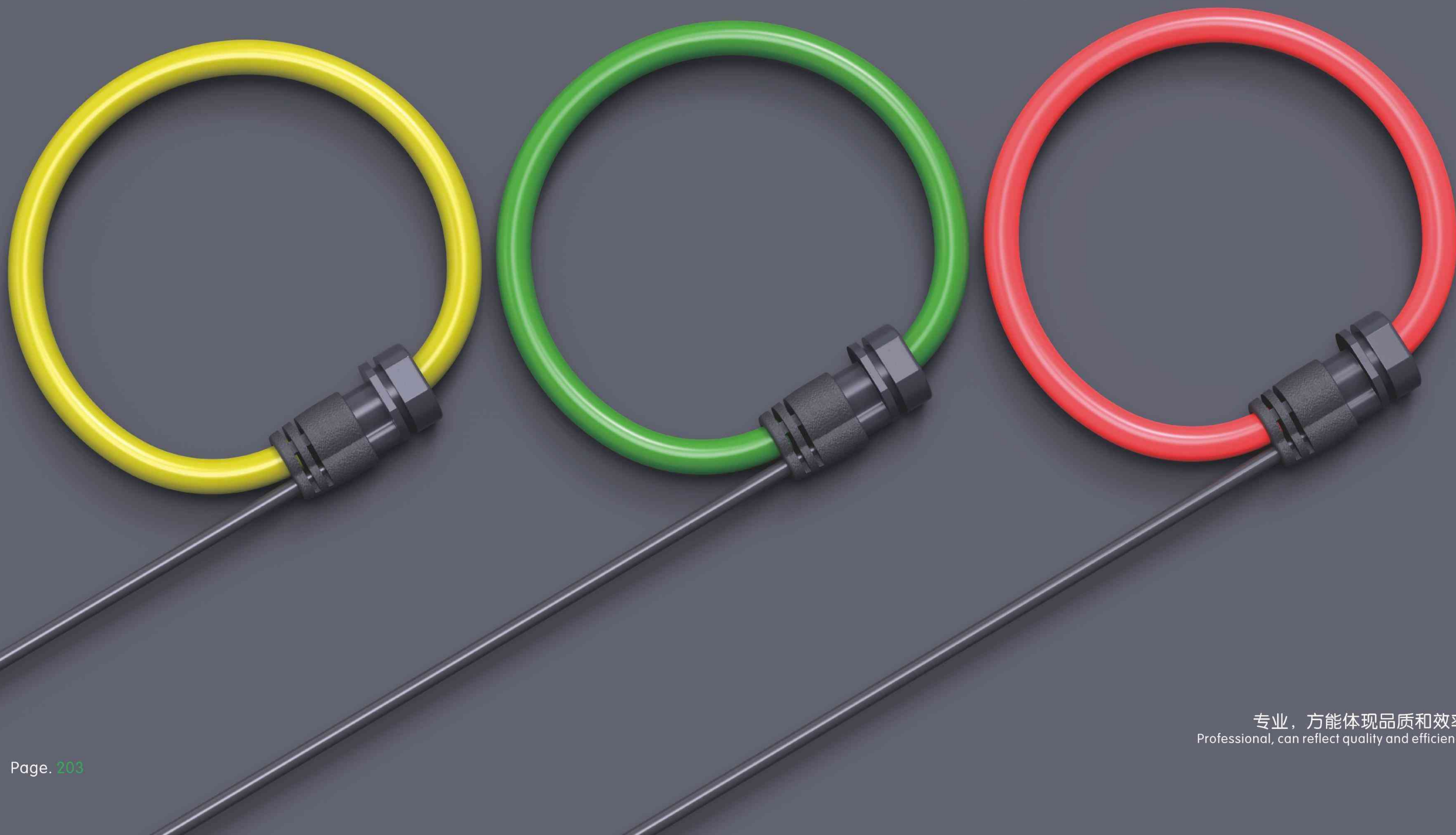


罗氏线圈互感器(柔性开口互感器)

ROCHE COIL TRANSFORMER (FLEXIBLE OPENING TRANSFORMER)

物联网电流传感器生产商

IOT CURRENT SENSOR MANUFACTURER



专业，方能体现品质和效率
Professional, can reflect quality and efficiency

CTLS4 罗氏线圈互感器(柔性开口互感器) ROCHE COIL TRANSFORMER (FLEXIBLE OPENING TRANSFORMER)

YUCHENG

> 产品概述 Product overview

柔性罗氏线圈电流传感器用于测量交流电流，尤其是大电流测量。由于其柔性特点，可以用来测量尺寸很大(如导体直径≥3米)或形状不规则或导体之间空间很狭窄的导体电流(例如传统钳形电流探头无法测量时，用柔性罗氏线圈电流传感器可以方便地测量)。接头有临时型和长久型，前者为插拔式，用于便携式仪器或电流的临时测量，用于电流的在线长时间测量。安装方便，无需破坏导体。

Flexible roche coil current sensor is used to measure AC current, especially high current. Because of its flexible characteristics, it can be used to measure the conductor current with large size (such as conductor diameter ≥ 3M) or irregular shape or narrow space between conductors (for example, when the traditional clamp current probe can not measure, the flexible Rogowski coil current sensor can be used to measure conveniently). The former is plug-in type, which is used for temporary measurement of portable instrument or current, and for on-line long-time measurement of current. It is easy to install without damaging the conductor.

> 技术参数 Technical parameter

- ◆ 最高耐压: 0.66KV(如有特殊要求可定制)
- ◆ 额定一次电流: 0A~300KA
- ◆ 额定二次输出: 带积分: 4V、1A (A.C)或4~20mA(D.C); 无积分: 100mV/kA、50mV/kV
- ◆ 准确级: 1%
- ◆ 额定辅助电源: ±12V、24V、5V D.C或者220V A.C
- ◆ 额定功耗: ≤10W, 工作频率1HZ—1MHZ

备注: 1、其他规格产品可以根据客户具体要求定制。

- ◆ Maximum withstand voltage: 0.66kv (customized for special requirements)
- ◆ Rated primary current: 10A ~ 300kA
- ◆ Rated secondary output: with integral: 4V, 1A (A.C) or 4~20mA(D.C.); No integral: 100mV/kA, 50mV/kV
- ◆ Accuracy: 1%
- ◆ Rated auxiliary power supply: ± 12V, 24V, 5V D.C or 220V A.C
- ◆ Rated power consumption: ≤ 10W, working frequency 1hz-1mhz

Note: 1. Other specifications can be customized according to the specific requirements of customers.

> 性能指标 Performance index

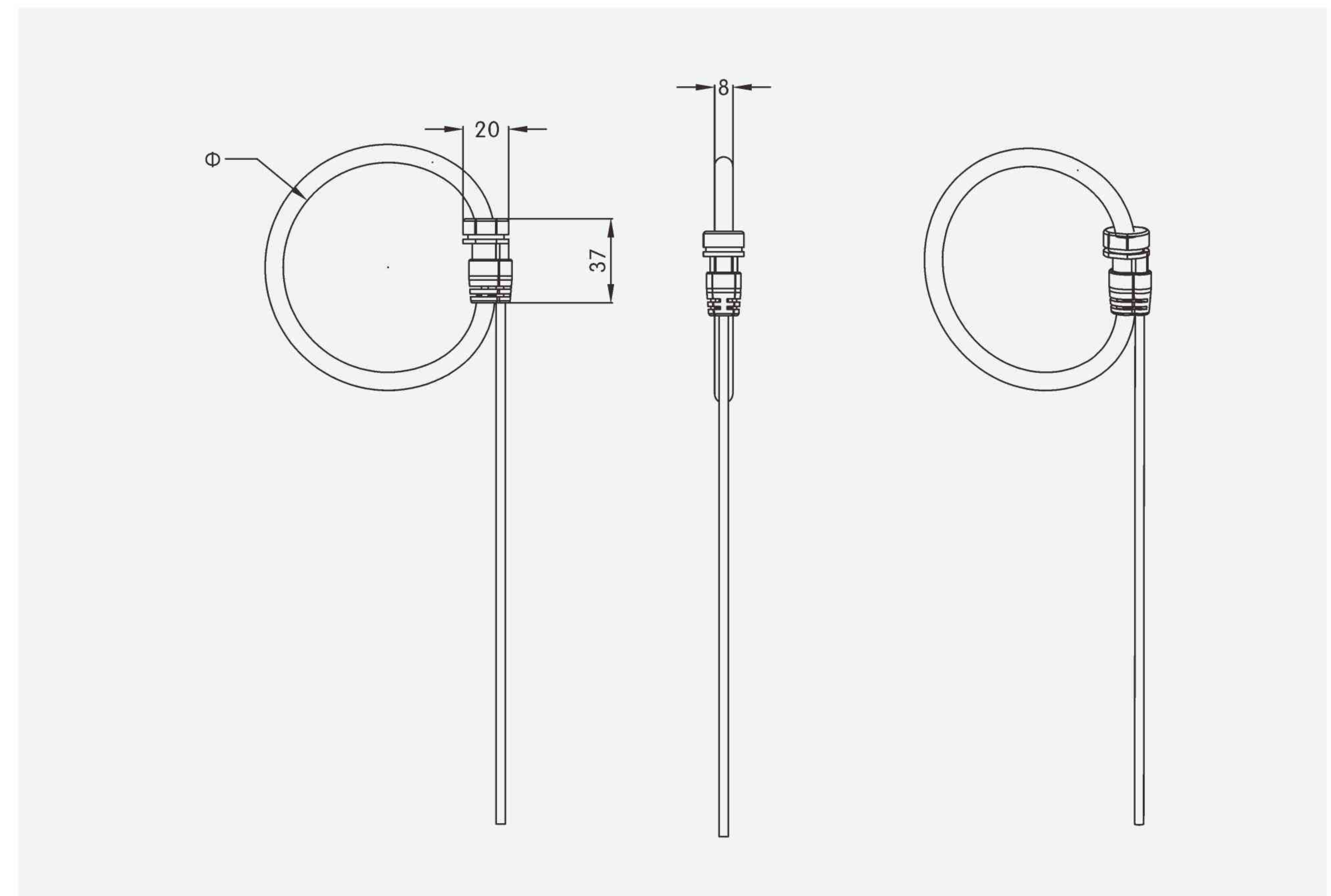
10%~100% 准确度 Accuracy	5%(不带积分器) 1%(加积分器, 45~65HZ)
相位误差 Phase error	W ± 1° (45~65HZ) W ± 10° (20KHZ)
10%~100%线性度 Linearity	0.50%
积分器电源 Integrator power supply	7~30VDC
响应频宽 Response bandwidth	1HZ~1MHZ
线圈截面直径 Coil section diameter	W7.5、W10、W12mm or 客户自订 Custom made
线圈长度 Coil length	W2M or 客户自订 Custom made
使用海拔 Use altitude	W2000M
IP防护等级 Protection level	IP65
材质 Texture of material	硅橡胶 Silicon rubber
二次引线 Secondary lead	屏蔽线, 长度自订 Shielded wire, length customized
耐压强度 Compressive strength	2KVAC/min
绝缘电阻 Insulation resistance	DC500V/100MQ

> 外形及安装尺寸 Outline and installation dimensions

型号规格 Model and specification	额定输入(A) Rated input	额定输出 (mA/v) Rated output	精度等级 Accuracy class	外形尺寸 Dimensions(mm)	
				Φ1	Φ2
CTLS4	0~300KA	0~100mV 4~20mADC 0~20mADC 0~5VDC 0~10VDC 0~5V RS485	0.5 1.0 1.5 2.0	30	7.5
				40	
				80	
				100	
				150	
				200	
				300	
400					

备注: 可带积分器, 特殊规格尺寸可定制。

Note: integrators are available, special specifications and sizes can be customized.

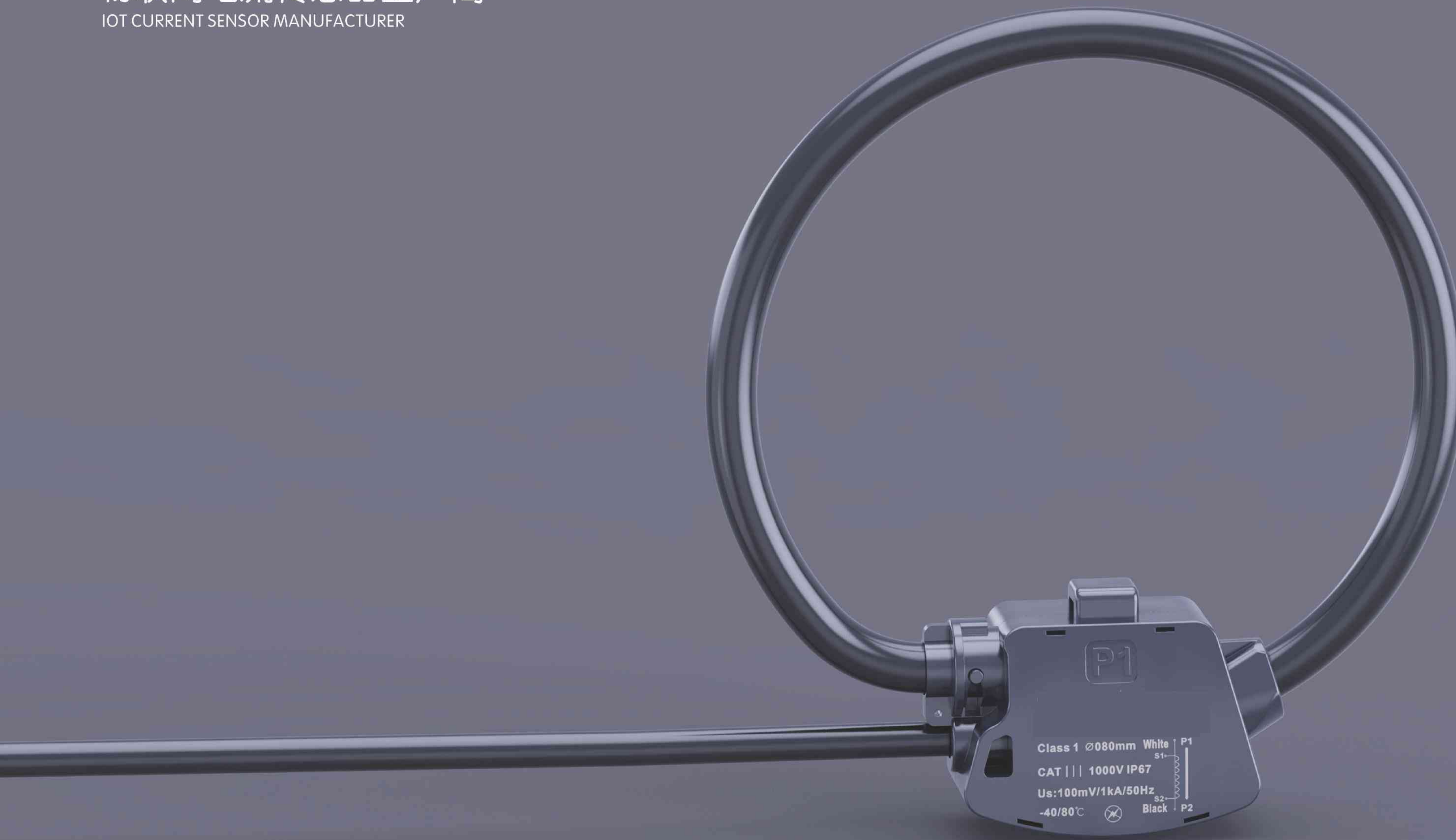


柔性罗氏线圈

FLEXIBLE ROCHE COIL

物联网电流传感器生产商

IOT CURRENT SENSOR MANUFACTURER



专业，方能体现品质和效率
Professional, can reflect quality and efficiency

LSPD1 柔性罗氏线圈 FLEXIBLE ROCHE COIL YUCHENG

> 产品概述 Product overview

柔性罗氏线圈，用于交流电流的电子测量。利用磁屏蔽技术大大减少了由于被测量的导体在孔径内的位置而造成的误差和由于接近外部导体而造成的误差。

Flexible Roche coil for electronic measurement of AC current. The error due to the position of the measured conductor within the aperture and the error due to the proximity of the external conductor are greatly reduced using magnetic shielding techniques.

> 产品特点 Product features

- ◆ 市场上最精确的线圈，0.5级 (IEC 61869-10)。
- ◆ 定位误差很低。
- ◆ 较小的外部电场的影响。
- ◆ 低灵敏度 22.5 mV/kA, 50mv/Ka, 100MV/Ka, 用于室内应用。
- ◆ 静电屏蔽，包括更好的共模抑制积分器。
- ◆ 防护等级IP67/IP65。
- ◆ 传感孔径大小可定制。
- ◆ The most accurate coil on the market, class 0.5 (IEC 61869-10).
- ◆ Low positioning error.
- ◆ Small influence of external electric field.
- ◆ Low sensitivity 22.5mV /kA, 50mv/Ka, 100MV/Ka, for indoor applications.
- ◆ Electrostatic shielding, including better common mode suppression integrator.
- ◆ Protection level IP67/IP65.
- ◆ Sensor aperture size can be customized.

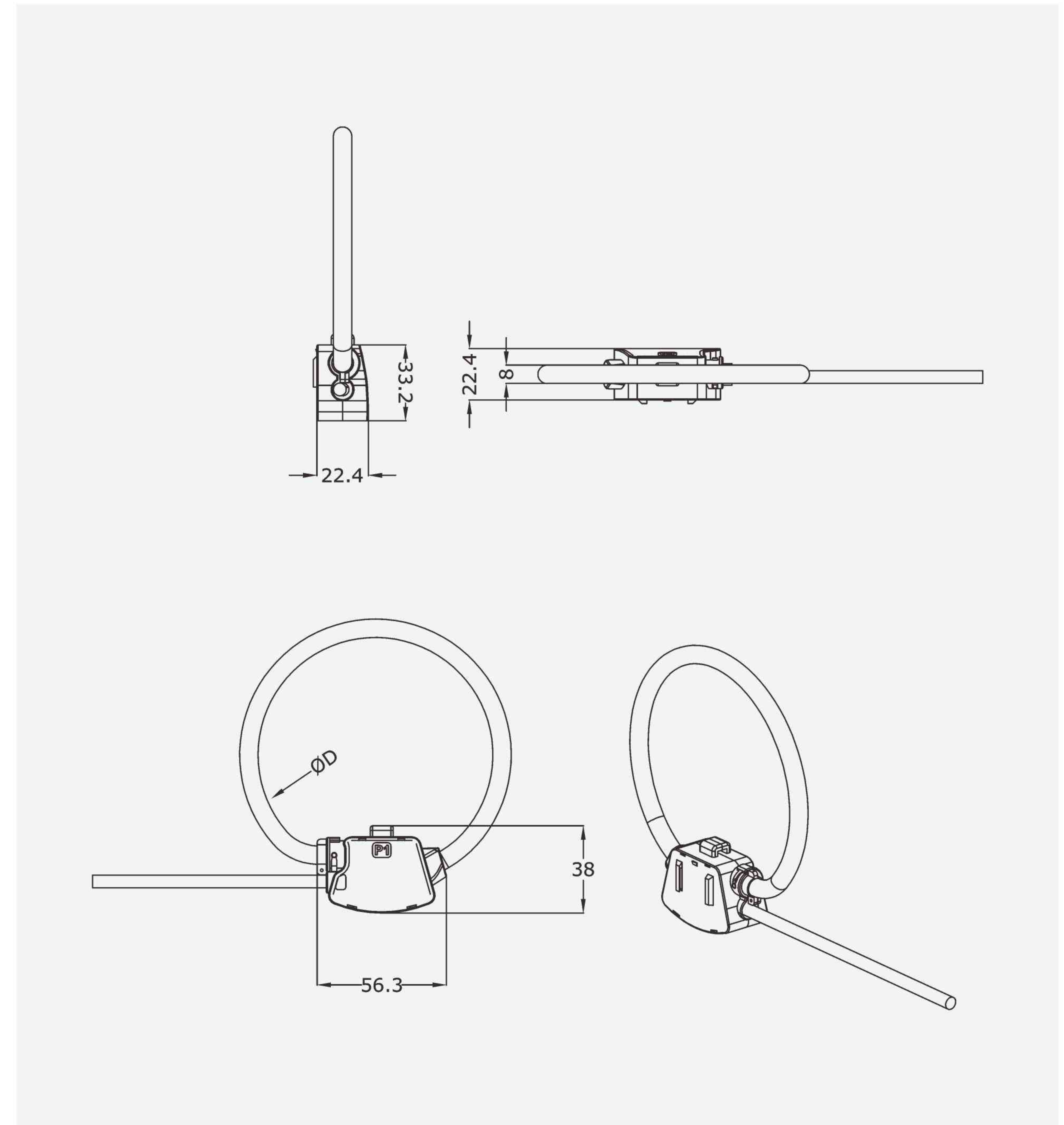
> 特殊功能 Special function

- ◆ 电缆端配备SMA公连接器。
- ◆ 3m输出电缆。
- ◆ Cable ends are equipped with SMA male connectors.
- ◆ 3m output cable.

> 标准 Standard

- ◆ EC 61010-1:2010
- ◆ IEC 61010-2-32:2012
- ◆ IEC 61869-10:2017)
- ◆ UL 61010-1:2012.

> 外形及安装尺寸 Outline and installation dimensions

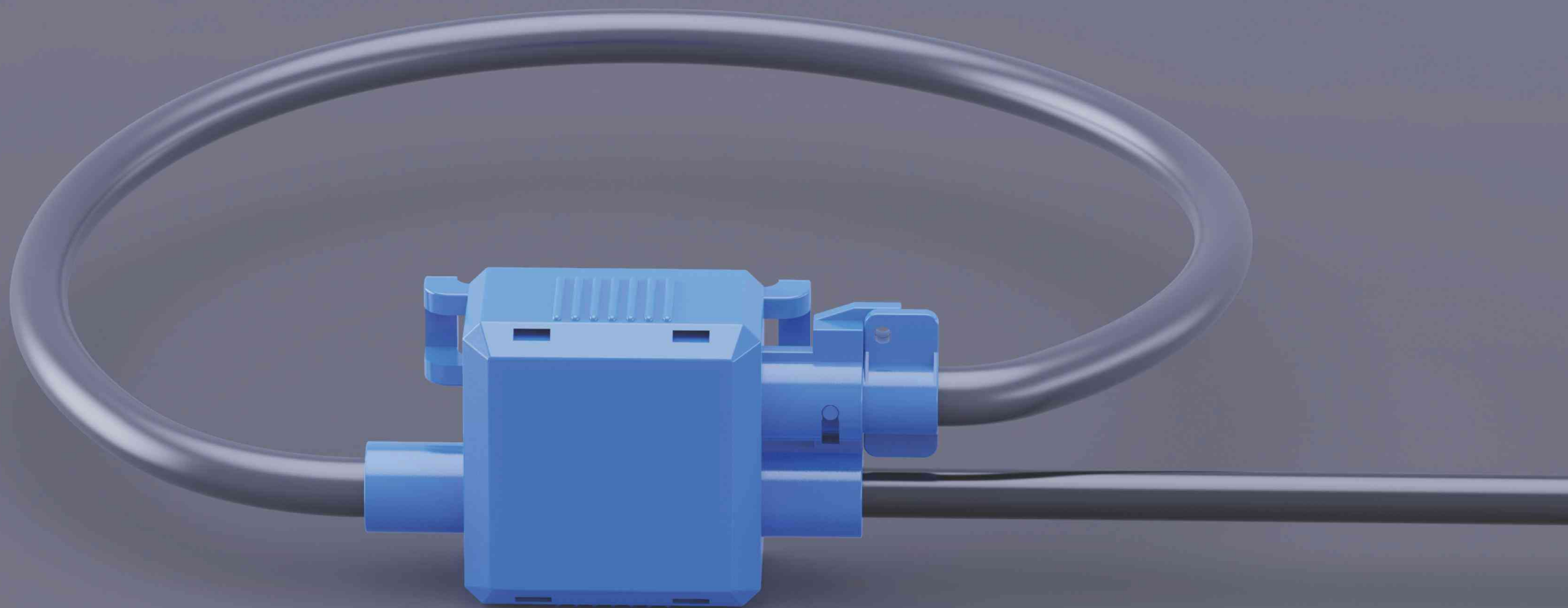


柔性罗氏线圈

FLEXIBLE ROCHE COIL

物联网电流传感器生产商

IOT CURRENT SENSOR MANUFACTURER



专业，方能体现品质和效率
Professional, can reflect quality and efficiency

LSPD2 柔性罗氏线圈 FLEXIBLE ROCHE COIL YUCHENG

> 产品概述 Product overview

柔性罗氏线圈，用于交流电流的电子测量。利用磁屏蔽技术大大减少了由于被测量的导体在孔径内的位置而造成的误差和由于接近外部导体而造成的误差。

Flexible Roche coil for electronic measurement of AC current. The error due to the position of the measured conductor within the aperture and the error due to the proximity of the external conductor are greatly reduced using magnetic shielding techniques.

> 产品特点 Product features

- ◆ 市场上最精确的线圈，0.5级 (IEC 61869-10)。
- ◆ 定位误差很低。
- ◆ 较小的外部电场的影响。
- ◆ 低灵敏度 22.5 mV/kA, 50mv/Ka, 100MV/Ka, 用于室内应用。
- ◆ 静电屏蔽，包括更好的共模抑制积分器。
- ◆ 防护等级IP67/IP65。
- ◆ 传感孔径大小可定制。
- ◆ The most accurate coil on the market, class 0.5 (IEC 61869-10).
- ◆ Low positioning error.
- ◆ Small influence of external electric field.
- ◆ Low sensitivity 22.5mV /kA, 50mv/Ka, 100MV/Ka, for indoor applications.
- ◆ Electrostatic shielding, including better common mode suppression integrator.
- ◆ Protection level IP67/IP65.
- ◆ Sensor aperture size can be customized.

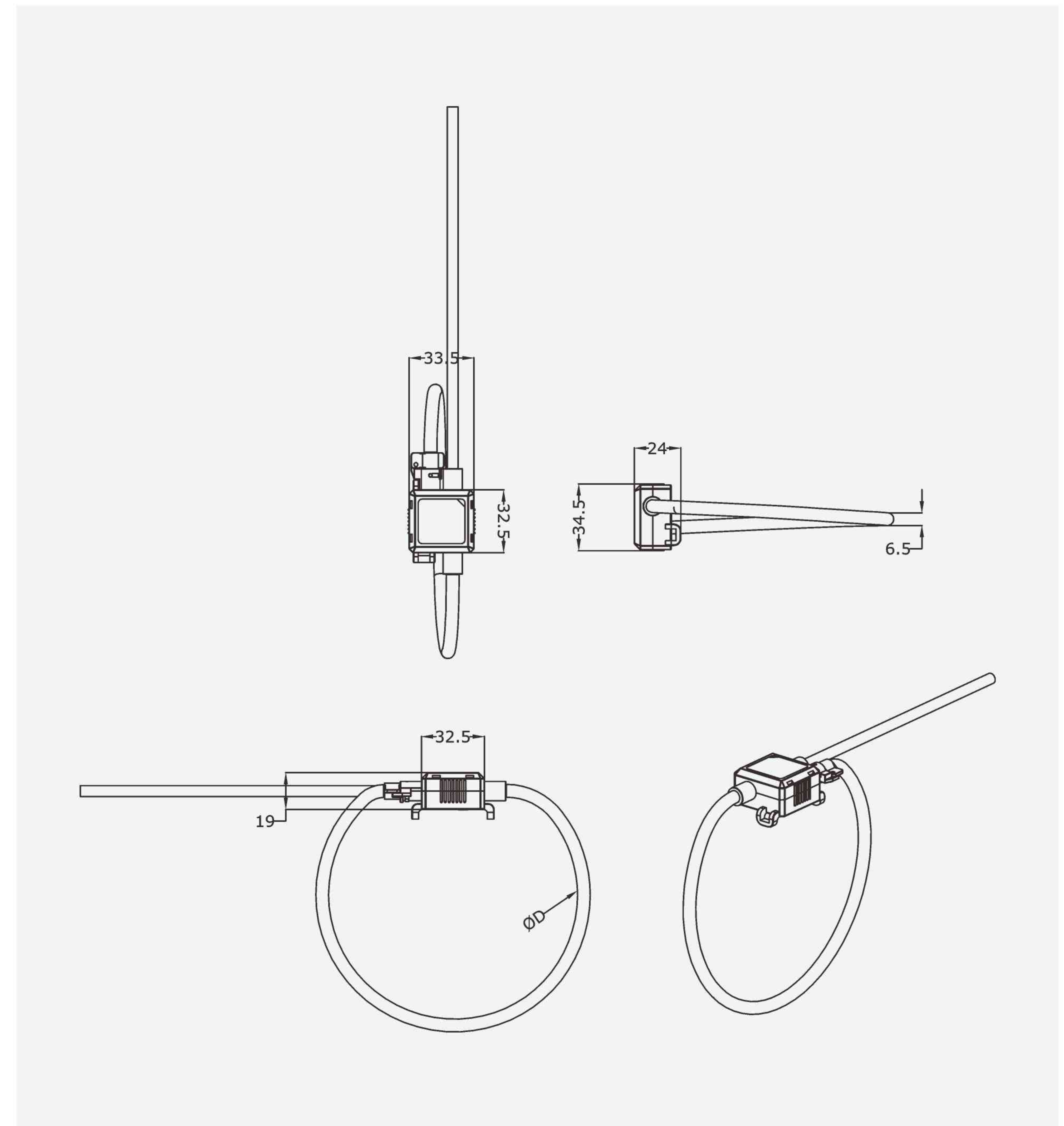
> 特殊功能 Special function

- ◆ 电缆端配备SMA公连接器。
- ◆ 3m输出电缆。
- ◆ Cable ends are equipped with SMA male connectors.
- ◆ 3m output cable.

> 标准 Standard

- ◆ EC 61010-1:2010
- ◆ IEC 61010-2-32:2012
- ◆ IEC 61869-10:2017)
- ◆ UL 61010-1:2012.

> 外形及安装尺寸 Outline and installation dimensions



钳型式罗氏线圈互感器

CLAMP TYPE ROGOWSKI COIL TRANSFORMER

物联网电流传感器生产商

IOT CURRENT SENSOR MANUFACTURER



专业，方能体现品质和效率
Professional, can reflect quality and efficiency

> 产品概述 Product overview

柔性罗氏线圈电流传感器用于测量交流电流，尤其是大电流测量。由于其柔性特点，可以用来测量尺寸很大(如导体直径≥3M)或形状不规则或导体之间空间很狭窄的导体电流(例如传统钳形电流探头无法测量时，用柔性罗氏线圈电流传感器可以方便地测量)。接头有临时型和长久型，前者为插拨式，用于便携式仪器或电流的临时测量，用于电流的在线长时间测量。安装方便，无需破坏导体。可带穿刺取电装置，温度传感器装置。适用各种型号母排安装。

Flexible roche coil current sensor is used to measure AC current, especially high current. Because of its flexible characteristics, it can be used to measure the conductor current with large size (such as conductor diameter ≥ 3M) or irregular shape or narrow space between conductors (for example, when the traditional clamp current probe can not measure, the flexible Rogowski coil current sensor can be used to measure conveniently). The former is plug-in type, which is used for temporary measurement of portable instrument or current, and for on-line long-time measurement of current. It is easy to install without damaging the conductor. It can be equipped with puncture device, temperature sensor device. Suitable for all kinds of busbar installation.

> 技术参数 Technical parameter

- ◆ 最高耐压: 0.66KV (如有特殊要求可定制)
- ◆ 额定一次电流: 0A~300KA
- ◆ 额定二次输出: 带积分: 4V、1A (A.C)或4~20mA(D.C); 无积分: 100mV/kA、50mV/kV
- ◆ 准确级: 1%

备注: 1、其他规格产品可以根据客户具体要求定制。

- ◆ Maximum withstand voltage: 0.66kv (customized for special requirements)
- ◆ Rated primary current: 0A ~ 300kA
- ◆ Rated secondary output: with integral: 4V, 1A (A.C) or 4~20mA(D.C.); No integral: 100mV/kA, 50mV/kV
- ◆ Accuracy: 1%

Note: 1. Other specifications can be customized according to the specific requirements of customers.

> 性能指标 Performance index

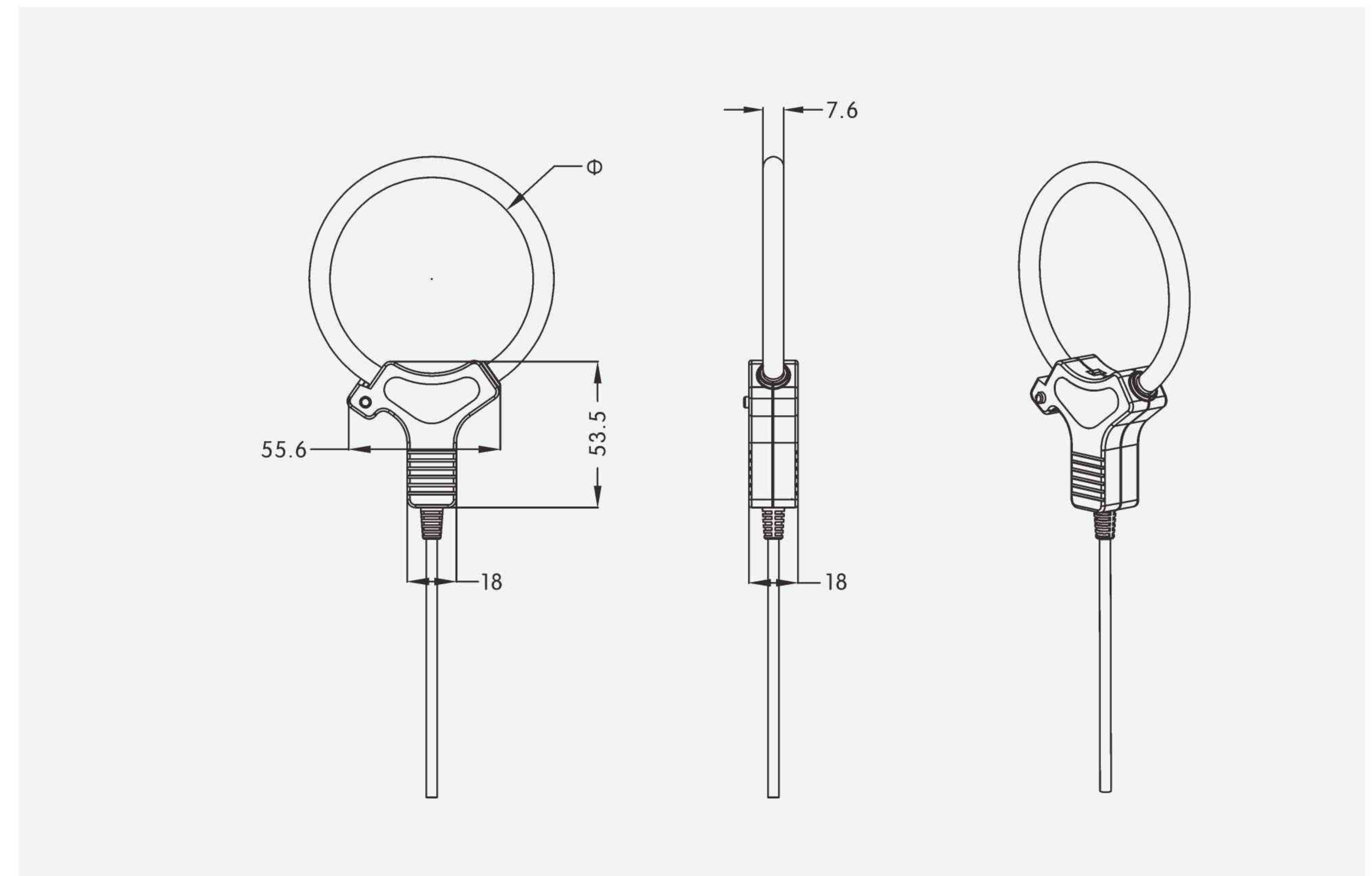
10%~100% 准确度 Accuracy	5%(不带积分器) 1%(加积分器, 45~65HZ)
相位误差 Phase error	W ± 1° (45~65HZ) W ± 10° (20KHZ)
10%~100%线性度 Linearity	0.50%
积分器电源 Integrator power supply	7~30VDC
响应频宽 Response bandwidth	1HZ~1MHZ
线圈截面直径 Coil section diameter	W7.5、W10、W12mm or 客户自订 Custom made
线圈长度 Coil length	W2M or 客户自订 Custom made
使用海拔 Use altitude	W2000M
IP防护等级 Protection level	IP65
材质 Texture of material	硅橡胶 Silicon rubber
二次引线 Secondary lead	屏蔽线, 长度自订 Shielded wire, length customized
耐压强度 Compressive strength	2KVAC/min
绝缘电阻 Insulation resistance	DC500V/100MQ
穿刺取电范围 Scope of puncture	10V~380V
温度传感器范围 Temperature sensor range	10K~100K

> 外形及安装尺寸 Outline and installation dimensions

型号规格 Model and specification	额定输入(A) Rated input	额定输出 (mA/v) Rated output	精度等级 Accuracy class	外形尺寸 Dimensions(mm)	
				Φ1	Φ2
LSPD3	0~300KA	0~100mV 4~20mADC 0~20mADC 0~5VDC 0~10VDC 0~5V RS485	0.5 1.0 1.5 2.0	30	7.5 10 12
				40	
				80	
				100	
				150	
				200	
				300	
				400	

备注: 可带积分器, 特殊规格尺寸可定制。

Note: integrators are available, special specifications and sizes can be customized.



母排式穿刺罗氏线圈互感器

BUSBAR PUNCTURE ROCHE COIL TRANSFORMER

物联网电流传感器生产商

IOT CURRENT SENSOR MANUFACTURER



专业，方能体现品质和效率
Professional, can reflect quality and efficiency

CTLSF 母排式穿刺罗氏线圈互感器 BUSBAR PUNCTURE ROCHE COIL TRANSFORMER YUCHENG

> 产品概述 Product overview

柔性罗氏线圈电流传感器用于测量交流电流，尤其是大电流测量。由于其柔性特点，可以用来测量尺寸很大(如导体直径≥3米)或形状不规则或导体之间空间很狭窄的导体电流(例如传统钳形电流探头无法测量时，用柔性罗氏线圈电流传感器可以方便地测量)。接头有临时型和长久型，前者为插拨式，用于便携式仪器或电流的临时测量，用于电流的在线长时间测量。安装方便，无需破坏导体。可带穿刺取电装置，温度传感器装置。适用各种型号母排安装。

Flexible roche coil current sensor is used to measure AC current, especially high current. Because of its flexible characteristics, it can be used to measure the conductor current with large size (such as conductor diameter $\geq 3M$) or irregular shape or narrow space between conductors (for example, when the traditional clamp current probe can not measure, the flexible Rogowski coil current sensor can be used to measure conveniently). The former is plug-in type, which is used for temporary measurement of portable instrument or current, and for on-line long-time measurement of current. It is easy to install without damaging the conductor. It can be equipped with puncture device, temperature sensor device. Suitable for all kinds of busbar installation.

> 技术参数 Technical parameter

- ◆ 最高耐压: 0.66KV (如有特殊要求可定制)
- ◆ 额定一次电流: 0A~300KA
- ◆ 额定二次输出: 带积分: 4V、1A (A.C)或4~20mA(D.C); 无积分: 100mV/kA、50mV/kV
- ◆ 准确度: 1%

备注: 1、其他规格产品可以根据客户具体要求定制。

- ◆ Maximum withstand voltage: 0.66kv (customized for special requirements)
- ◆ Rated primary current: 0A ~ 300kA
- ◆ Rated secondary output: with integral: 4V, 1A (A.C) or 4~20mA(D.C.); No integral: 100mV/kA, 50mV/kV
- ◆ Accuracy: 1%

Note: 1. Other specifications can be customized according to the specific requirements of customers.

> 性能指标 Performance index

10%~100% 准确度 Accuracy	5%(不带积分器) 1%(加积分器, 45~65HZ)
相位误差 Phase error	$W \pm 1^\circ$ (45~65HZ) $W \pm 10^\circ$ (20KHZ)
10%~100%线性度 Linearity	0.50%
积分器电源 Integrator power supply	7~30VDC
响应频宽 Response bandwidth	1HZ~1MHZ
线圈截面直径 Coil section diameter	W7.5、W10、W12mm or 客户自订 Custom made
线圈长度 Coil length	W2M or 客户自订 Custom made
使用海拔 Use altitude	W2000M
IP防护等级 Protection level	IP65
材质 Texture of material	硅橡胶 Silicon rubber
二次引线 Secondary lead	屏蔽线, 长度自订 Shielded wire, length customized
耐压强度 Compressive strength	2KVAC/min
绝缘电阻 Insulation resistance	DC500V/100MQ
穿刺取电范围 Scope of puncture	10V~380V
温度传感器范围 Temperature sensor range	10K~100K

> 外形及安装尺寸 Outline and installation dimensions

型号规格 Model and specification	额定 输入(A) Rated input	额定输出 (mA/V) Rated output	精度等级 Accuracy class	外形尺寸 Dimensions(mm)	
				Φ1	Φ2
CTLSF	0~300KA	0~100mV 4~20mADC 0~20mADC 0~5VDC 0~10VDC 0~5V RS485	0.5 1.0 1.5 2.0	30	7.5
				40	
				80	
				100	
				150	
				200	
				300	
				400	

备注: 可带积分器, 特殊规格尺寸可定制。

Note: integrators are available, special specifications and sizes can be customized.

