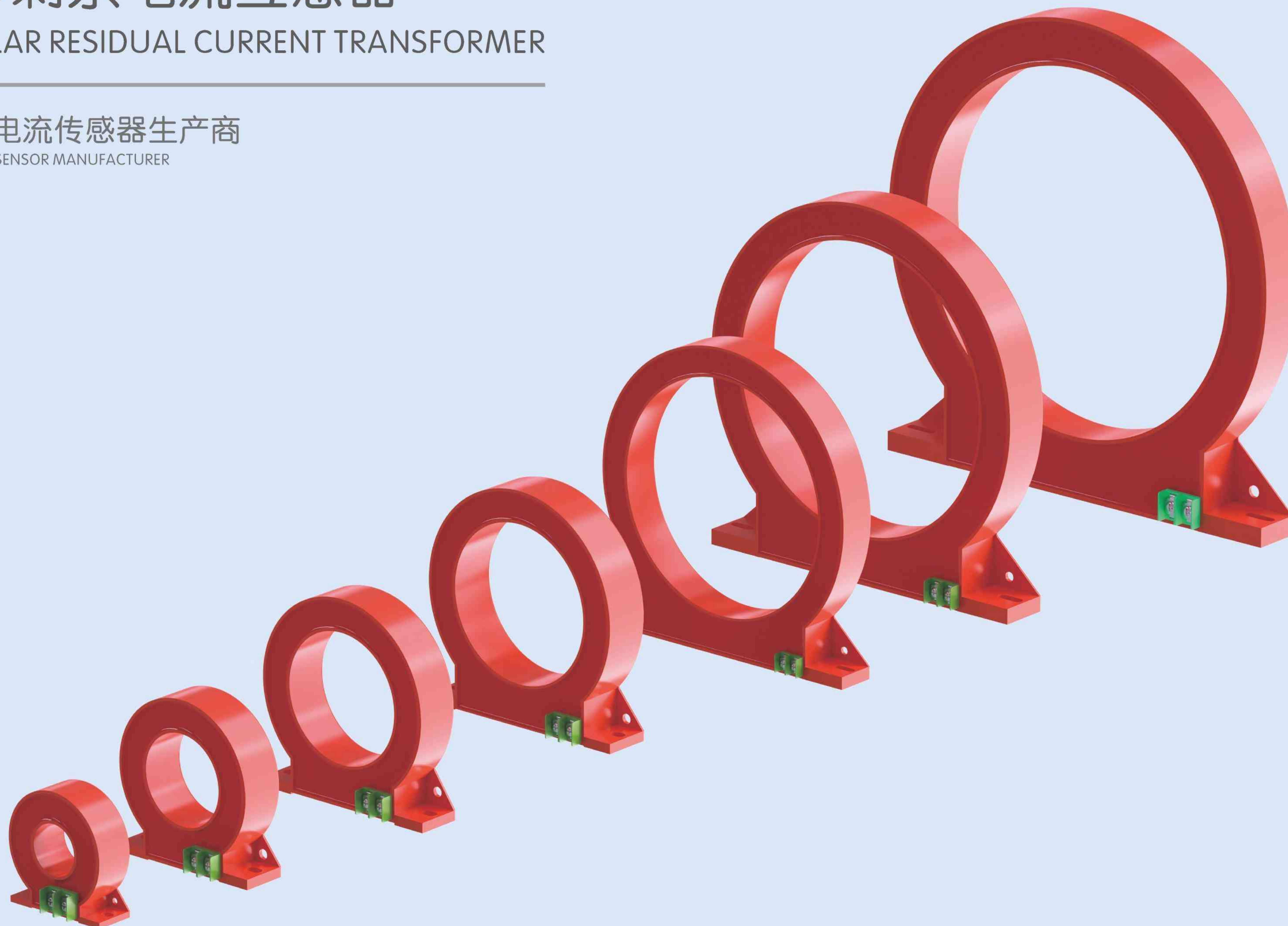


圆形剩余电流互感器

CIRCULAR RESIDUAL CURRENT TRANSFORMER

物联网电流传感器生产商

IOT CURRENT SENSOR MANUFACTURER



专业，方能体现品质和效率
Professional, can reflect quality and efficiency

Y 圆形剩余电流互感器 CIRCULAR RESIDUAL CURRENT TRANSFORMER

YUCHENG

> 产品概述 Product overview

圆形穿芯式剩余电流互感器主要用于电缆电路环境中，其结构简单、体积小、应用灵活，并根据主回路所用的电缆规格有多种穿芯孔径相对应，本系列产品穿芯孔直径从25mm~200mm，主回路电流包含了63A~2000A。本系列产品能够满足0.2级，0.5级，1级等不同精度的技术要求；同时，还可以满足新国标对平衡特性的严苛要求，不平衡电流输出值亦可以优于30mA，10mA，5mA，甚至于3mA，大大降低由主回路电流磁场干扰而引起的误报警，为设备的可靠性提供了充分的保障。优异先进的制作工艺。保证了其准确度等级，可靠性等技术要求，本系列产品满足GB-14287.2-2005和GB14287.2-2014的要求。

The circular through core current transformer is mainly used in the cable circuit environment, which has simple structure, small volume and flexible application. According to the cable specifications used in the main circuit, there are many kinds of hole diameter corresponding to the core penetration. The diameter of the pierce hole of this series of products is from 25mm to 200mm, and the current of the main circuit includes 63a-2000a. The series of products can meet the technical requirements of different precision such as 0.2, 0.5 and 1. At the same time, it can also meet the strict requirements of the new national standard for the balance characteristics. The unbalanced current output value can also be better than 30mA, 10mA, 5mA, even 3mA, which greatly reduces the false alarm caused by the interference of the current and magnetic field of the main circuit, and provides sufficient guarantee for the reliability of the equipment. Excellent and advanced production process. This series of products meet the requirements of GB-14287.2-2005 and GB 14287.2-2014.

> 产品特点 Product features

- ◆ 穿芯结构、阻燃性环氧树脂浇注、稳定性好。
- ◆ 采用高导磁镍钢或纳米晶，线性度好、灵敏度高
- ◆ 优异的平衡特性、并具有极强的抗电磁场干扰能力
- ◆ Core piercing structure, flame retardant epoxy resin casting, good stability.
- ◆ High magnetic conductivity nickel steel or nanocrystalline, good linearity and high sensitivity
- ◆ Excellent balance characteristics and strong anti electromagnetic interference ability

> 应用范围 Scope of application

电气火灾监控、防火漏电系统、智慧用电系统、小电流接地系统、电磁继电器保护、微机保护、智慧电力、环保监测等。

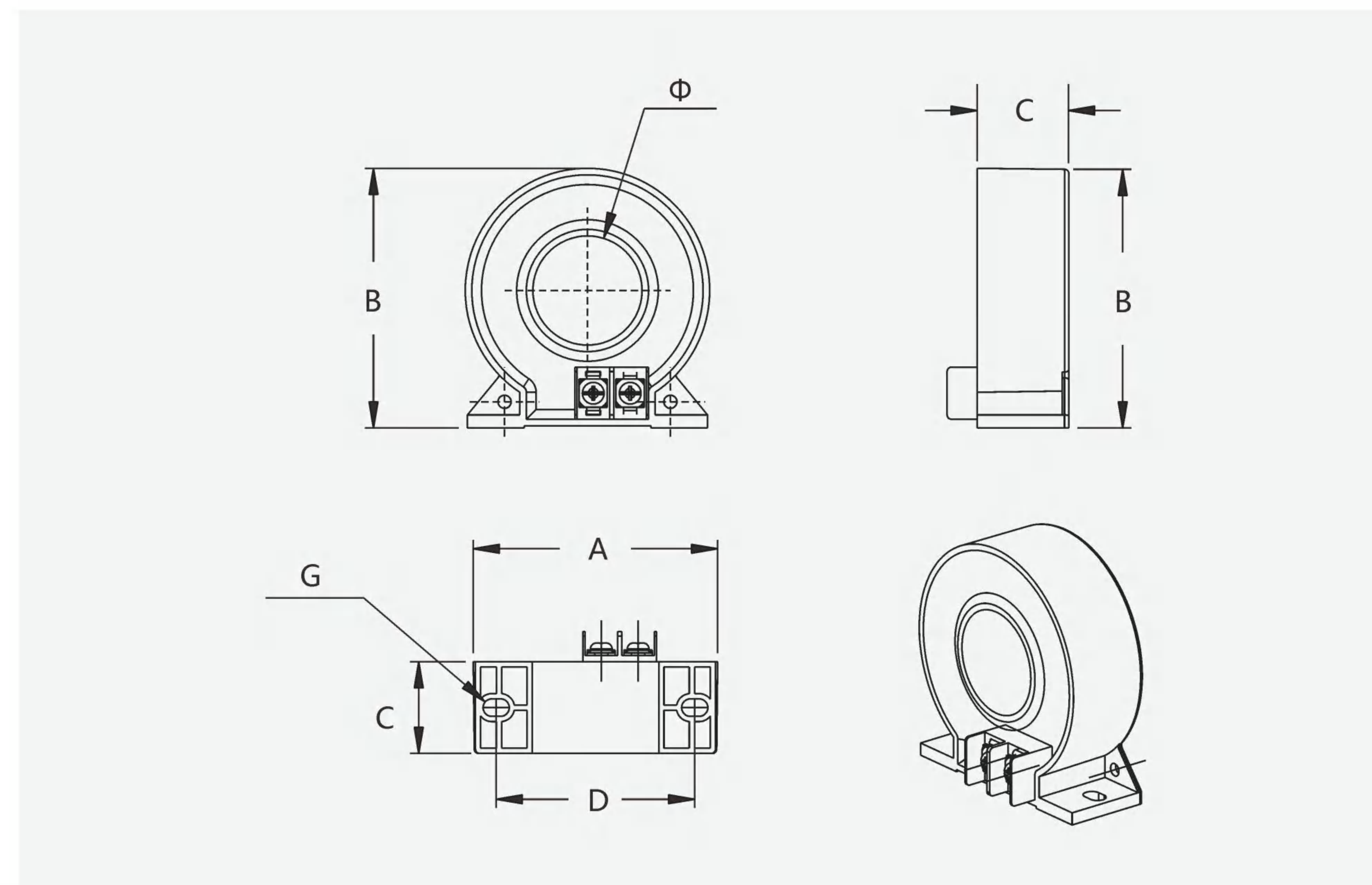
Electrical fire monitoring, fire prevention and leakage system, intelligent power system, small current grounding system, electromagnetic relay protection, microcomputer protection, intelligent power, environmental protection monitoring, etc.

> 性能指标 Performance index

电气参数 Electrical parameters		机械参数 Mechanical parameters	
工作频率 Working frequency	50~400Hz	外壳 Shell	ABS, 阻燃等级94-V0 ABS, Flame retardant grade 94-V0
额定输入 Rated input	10mA~5A	骨架 Skeleton	PBT
测量范围 Measuring range	10%In~130%In	铁芯 Iron core	镍钢或纳米晶 Nickel or nanocrystalline
额定输出 Rated output	0~1v(A或)0~0.5mA	内部结构 Internal structure	环保型环氧树脂浇注 Environment friendly epoxy resin casting
比值差 Ratio difference	≤ ± 0.1%	施工方案 Construction plan	螺丝固定 Screw fixation
相位差 Phase difference	≤ ± 10分	工作温度 Working temperature	-12℃~ +45℃
介质强度 Dielectric strength	2.5KV/1mA/1min	环境湿度 Ambient humidity	≤ 85%
绝缘电阻 Insulation resistance	DC500V/1000MΩ /min	接线方式 Connection mode	端子型/屏蔽绞线1.5米 Terminal type / shielded strand 1.5m

> 外形及安装尺寸 Outline and installation dimensions

型号规格 Model and specification	额定输入(A) Rated input	额定输出 (mA/v) Rated output	精度等级 Accuracy class	外形尺寸 Dimensions(mm)					
				Φ	A	B	C	D	G
Y-25	0~1A	0~1V (0.5mA)	0.1 0.2 0.5 1.0	25mm	56	60	21	48.5	M5
Y-45				45mm	79.5	83.5	24	66.5	M5
Y-65				65mm	99.5	104	24	86.5	M5
Y-80				80mm	113.5	119	26	101.5	M5
Y-100				100mm	135.5	141	26	114.5	M6
Y-150				150mm	189.5	196	27	171	M6
Y-200				200mm	239.5	246	30	221	M8



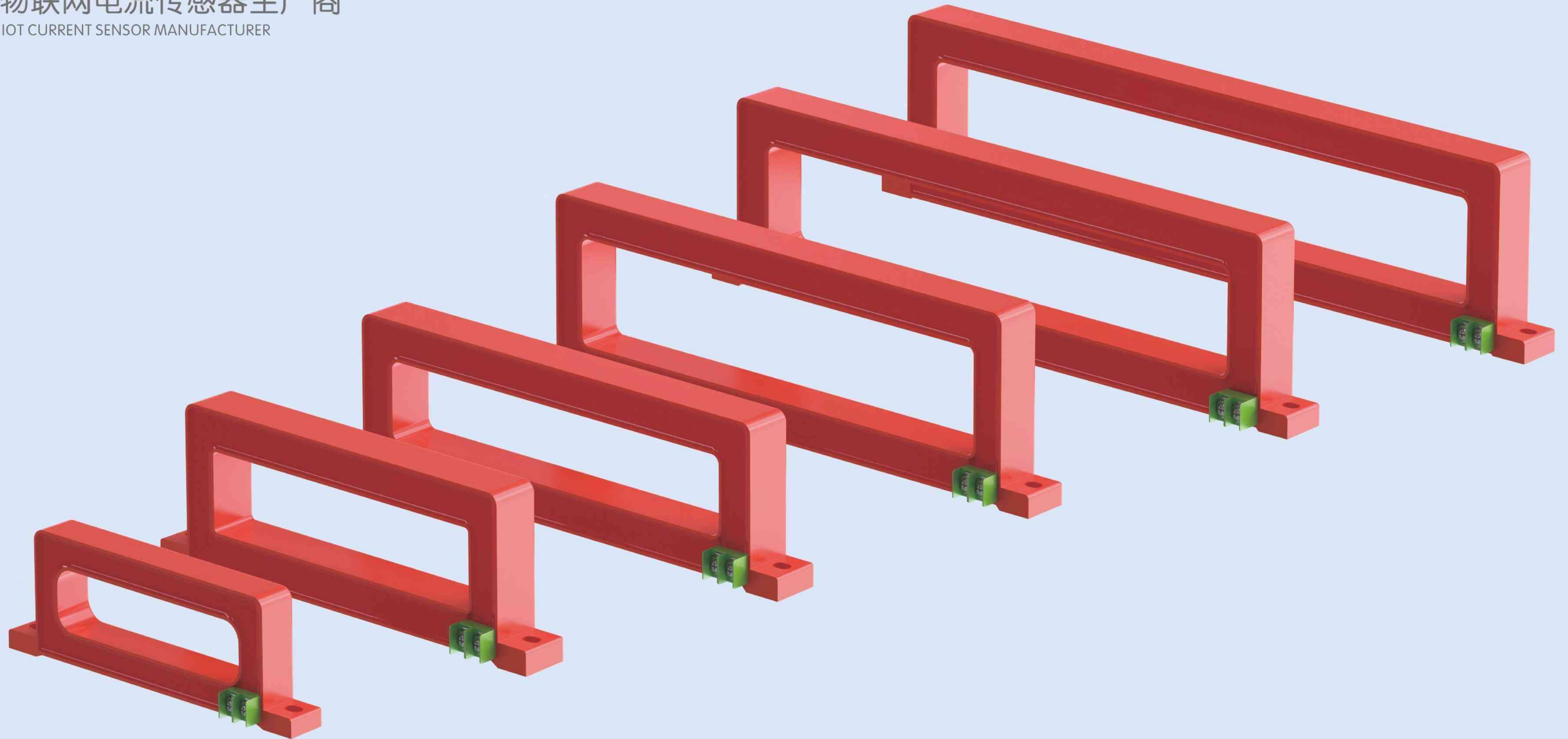
YC-F

矩形剩余电流互感器

RECTANGULAR RESIDUAL CURRENT TRANSFORMER

物联网电流传感器生产商

IOT CURRENT SENSOR MANUFACTURER



专业，方能体现品质和效率
Professional, can reflect quality and efficiency

F 矩形剩余电流互感器 RECTANGULAR RESIDUAL CURRENT TRANSFORMER

YUCHENG

> 产品概述 Product overview

方形穿芯式剩余电流互感器主要用于电缆电路环境中，其结构简单、体积小、应用灵活，并根据主回路所用的电缆规格有多种穿芯孔径相对应，本系列产品穿芯孔径从100mm~450mm，主回路电流包含了63A~2000A。本系列产品能够满足0.2级，0.5级，1级等不同精度的技术要求；同时，还可以满足新国标对平衡特性的严苛要求，不平衡电流输出值亦可以优于30mA，10mA，5mA，甚至于3mA，大大降低由主回路电流磁场干扰而引起的误报警，为设备的可靠性提供了充分的保障。优异先进的制作工艺流程。保证了其准确度等级，可靠性等技术要求，本系列产品满足GB-14287.2-2005和GB14287.2-2014的要求。

Square through type residual current transformer is mainly used in cable circuit environment. It has simple structure, small volume and flexible application. According to the specifications of the cable used in the main circuit, there are various through hole diameters. The through hole diameter of this series of products ranges from 100 mm to 450 mm, and the main circuit current includes 63 A to 2000 a. This series of products can meet the technical requirements of 0.2 level, 0.5 level, 1 level and other different precision; at the same time, it can also meet the strict requirements of the new national standard for the balance characteristics. The unbalanced current output value can also be better than 30mA, 10mA, 5mA, or even 3mA, greatly reducing the false alarm caused by the magnetic field interference of the main circuit current, providing sufficient guarantee for the reliability of the equipment. Excellent and advanced production process. This series of products meet the requirements of gb-14287.2-2005 and GB 14287.2-2014.

> 产品特点 Product features

- ◆ 穿芯结构、阻燃性环氧树脂浇注、稳定性好。
- ◆ 采用高导磁镍钢或纳米晶，线性度好、灵敏度高
- ◆ 优异的平衡特性、并具有极强的抗电磁场干扰能力
- ◆ Core piercing structure, flame retardant epoxy resin casting, good stability.
- ◆ High magnetic conductivity nickel steel or nanocrystalline, good linearity and high sensitivity
- ◆ Excellent balance characteristics and strong anti electromagnetic interference ability

> 应用范围 Scope of application

电气火灾监控、防火漏电系统、智慧用电系统、小电流接地系统、电磁继电器保护、微机保护、智慧电力、环保监测等。

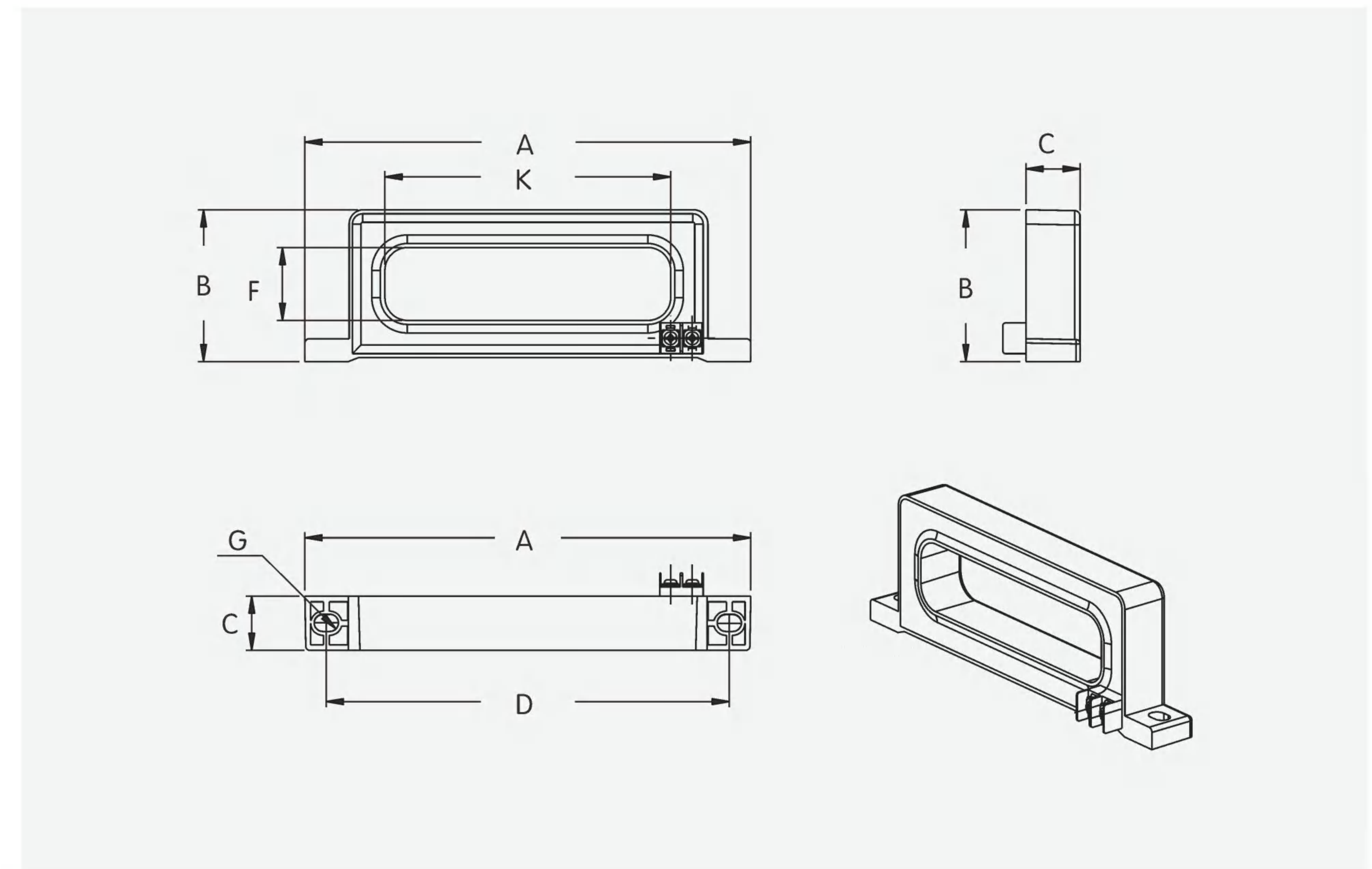
Electrical fire monitoring, fire prevention and leakage system, intelligent power system, small current grounding system, electromagnetic relay protection, microcomputer protection, intelligent power, environmental protection monitoring, etc.

> 性能指标 Performance index

电气参数 Electrical parameters		机械参数 Mechanical parameters	
工作频率 Working frequency	50~400Hz	外壳 Shell	ABS, 阻燃等级94-V0 ABS, Flame retardant grade 94-V0
额定输入 Rated input	10mA~5A	骨架 Skeleton	PBT
测量范围 Measuring range	10%In~130%In	铁芯 Iron core	镍钢或纳米晶 Nickel or nanocrystalline
额定输出 Rated output	0~1V(A或)0~0.5mA	内部结构 Internal structure	环保型环氧树脂浇注 Environment friendly epoxy resin casting
比值差 Ratio difference	≤ ± 0.1%	施工方案 Construction plan	螺丝固定 Screw fixation
相位差 Phase difference	≤ ± 10分	工作温度 Working temperature	-12℃~ +45℃
介质强度 Dielectric strength	2.5KV/1mA/1min	环境湿度 Ambient humidity	≤85%
绝缘电阻 Insulation resistance	DC500V/1000MΩ /min	接线方式 Connection mode	端子型/屏蔽绞线1.5米 Terminal type / shielded strand 1.5m

> 外形及安装尺寸 Outline and installation dimensions

型号规格 Model and specification	额定输入(A) Rated input	额定输出 (mA/v) Rated output	精度等级 Accuracy class	外形尺寸 Dimensions(mm)						
				A	B	K	F	C	D	G
F-1025	0~1A	0~1V (0.5mA)	0.1 0.2 0.5 1.0	157	53.5	100	25	19	141.5	M6
F-1435				203	71.5	140	35	24	188	M6
F-1835				246	71.5	180	35	24	230	M6
F-2245				280.5	83.5	220	45	24	266	M6
F-2645				326	85	260	45	24	310	M6
F-3045				366.5	85	300	45	24	352	M6
F-4545				516.5	85	450	45	24	502	M6

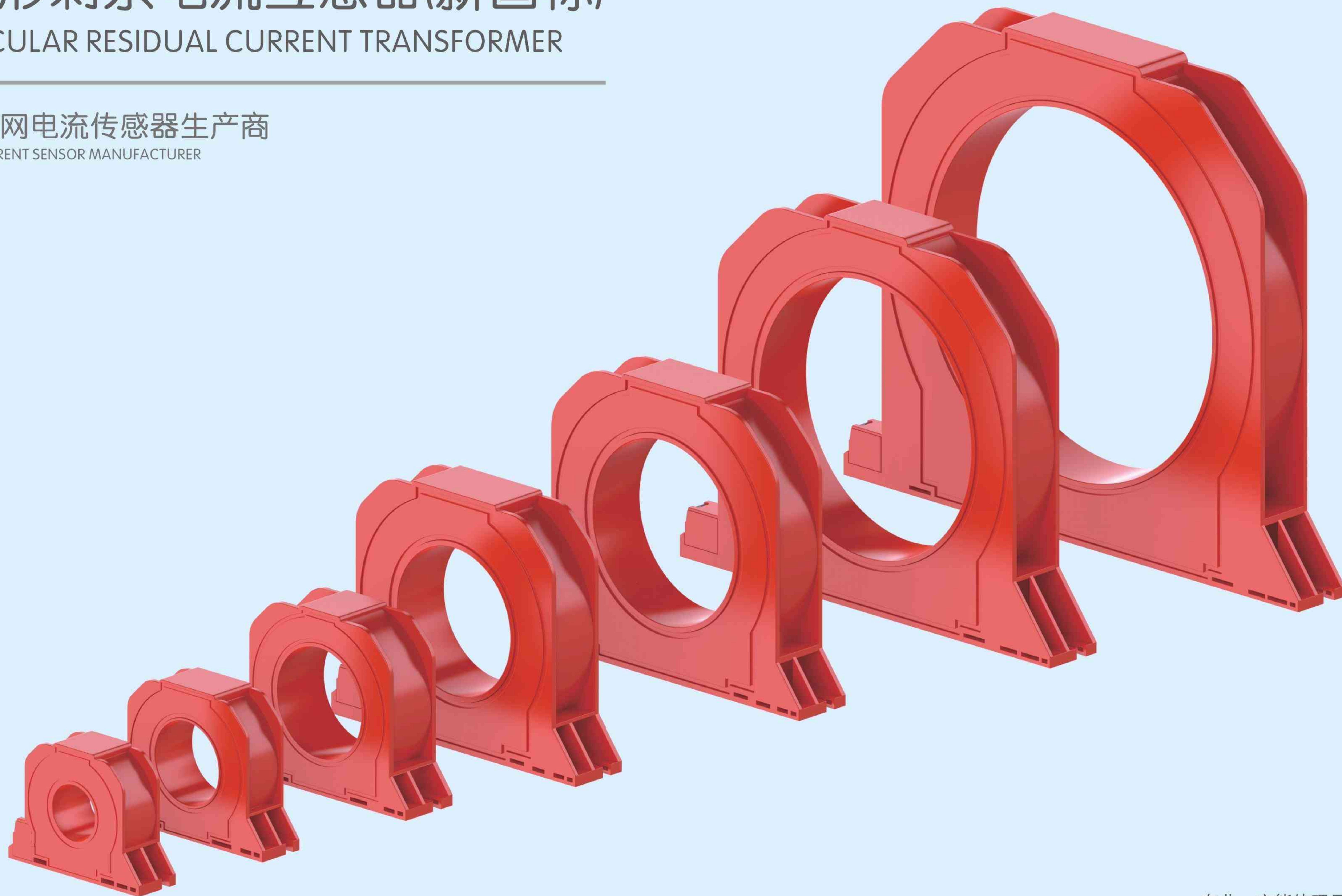


圆形剩余电流互感器(新国标)

CIRCULAR RESIDUAL CURRENT TRANSFORMER

物联网电流传感器生产商

IOT CURRENT SENSOR MANUFACTURER



专业，方能体现品质和效率
Professional, can reflect quality and efficiency

CT11 圆形剩余电流互感器 CIRCULAR RESIDUAL CURRENT TRANSFORMER

YUCHENG

> 产品概述 Product overview

圆形穿芯式剩余电流互感器主要用于电缆电路环境中，其结构简单、体积小、应用灵活，并根据主回路所用的电缆规格有多种穿芯孔径相对应，本系列产品穿芯孔直径从30mm~200mm，主回路电流包含了63A~2000A。本系列产品能够满足0.2级，0.5级，1级等不同精度的技术要求；同时，还可以满足新国标对平衡特性的严苛要求，不平衡电流输出值亦可以优于30mA，10mA，5mA，甚至于3mA，大大降低由主回路电流磁场干扰而引起的误报警，为设备的可靠性提供了充分的保障。优异先进的制作工艺。保证了其准确度等级，可靠性等技术要求，本系列产品满足GB-14287.2-2005和GB14287.2-2014的要求。

Circular through type current transformer is mainly used in cable circuit environment. It has simple structure, small volume and flexible application. According to the specifications of the cable used in the main circuit, there are a variety of through hole diameters. The through hole diameter of this series of products ranges from 30mm to 200mm, and the main circuit current includes 63A to 2000a. This series of products can meet the technical requirements of 0.2 level, 0.5 level, 1 level and other different precision; at the same time, it can also meet the strict requirements of the new national standard for the balance characteristics. The unbalanced current output value can also be better than 30mA, 10mA, 5mA, or even 3mA, greatly reducing the false alarm caused by the magnetic field interference of the main circuit current, providing sufficient guarantee for the reliability of the equipment. Excellent and advanced production process. This series of products meet the requirements of gb-14287.2-2005 and GB 14287.2-2014.

> 产品特点 Product features

- ◆ 穿芯结构、阻燃性环氧树脂浇注、稳定性好。
- ◆ 采用高导磁镍钢或纳米晶，线性度好、灵敏度高
- ◆ 优异的平衡特性、并具有极强的抗电磁场干扰能力
- ◆ Core piercing structure, flame retardant epoxy resin casting, good stability.
- ◆ High magnetic conductivity nickel steel or nanocrystalline, good linearity and high sensitivity
- ◆ Excellent balance characteristics and strong anti electromagnetic interference ability

> 应用范围 Scope of application

电气火灾监控、防火漏电系统、智慧用电系统、小电流接地系统、电磁继电器保护、微机保护、智慧电力、环保监测等。

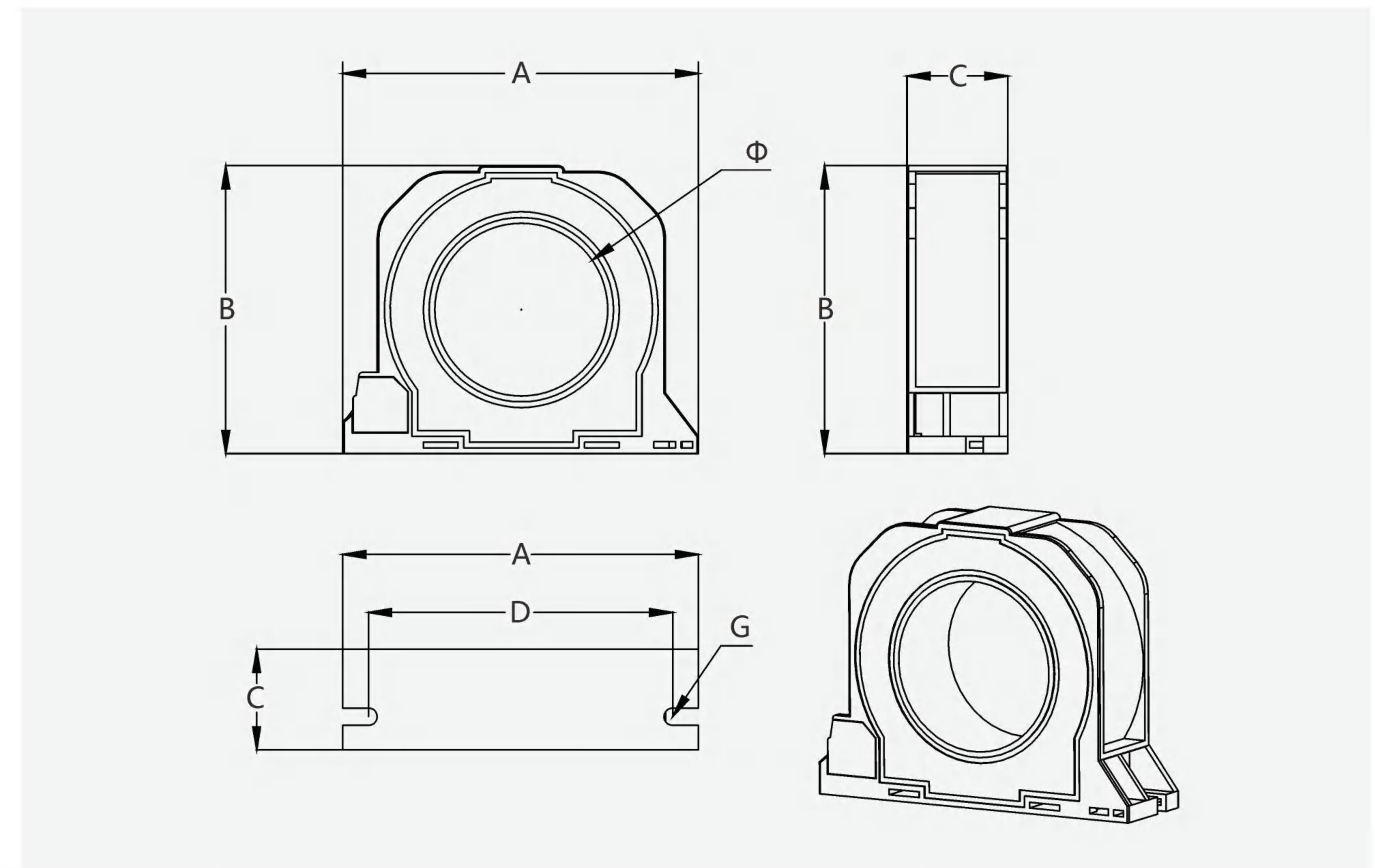
Electrical fire monitoring, fire prevention and leakage system, intelligent power system, small current grounding system, electromagnetic relay protection, microcomputer protection, intelligent power, environmental protection monitoring, etc.

> 性能指标 Performance index

电气参数 Electrical parameters		机械参数 Mechanical parameters	
工作频率 Working frequency	50~400Hz	外壳 Shell	ABS, 阻燃等级94-V0 ABS, Flame retardant grade 94-V0
额定输入 Rated input	10mA~5A	骨架 Skeleton	PBT
测量范围 Measuring range	10%In~130%In	铁芯 Iron core	镍钢或纳米晶 Nickel or nanocrystalline
额定输出 Rated output	0~1v(A或)0~0.5mA	内部结构 Internal structure	环保型环氧树脂浇注 Environment friendly epoxy resin casting
比值差 Ratio difference	≤ ± 0.1%	施工方案 Construction plan	螺丝固定 Screw fixation
相位差 Phase difference	≤ ± 10分	工作温度 Working temperature	-12℃~ +45℃
介质强度 Dielectric strength	2.5KV/1mA/1min	环境湿度 Ambient humidity	≤ 85%
绝缘电阻 Insulation resistance	DC500V/1000MΩ /min	接线方式 Connection mode	端子型/屏蔽绞线1.5米 Terminal type / shielded strand 1.5m

> 外形及安装尺寸 Outline and installation dimensions

型号规格 Model and specification	额定输入(A) Rated input	额定输出 (mA/v) Rated output	精度等级 Accuracy class	外形尺寸 Dimensions(mm)					
				Φ	A	B	C	D	G
CT1130	0~1A	0~1V (0.5mA)	0.1 0.2 0.5 1.0	30mm	87.6	67.8	28	76	M6
CT1145				45mm	107.5	83	28	96	M6
CT1165				65mm	127.5	105	30	113	M6
CT1180				80mm	159.5	128	32	145.5	M6
CT11100				100mm	188	154	32	174	M6
CT11150				150mm	234	200	32	220	M6
CT11200				200mm	284	252	32	270	M6



矩形剩余电流互感器(新国标)

RECTANGULAR RESIDUAL CURRENT TRANSFORMER

物联网电流传感器生产商
IOT CURRENT SENSOR MANUFACTURER



专业，方能体现品质和效率
Professional, can reflect quality and efficiency

CT11 矩形剩余电流互感器 RECTANGULAR RESIDUAL CURRENT TRANSFORMER

YUCHENG

> 产品概述 Product overview

矩形穿芯式剩余电流互感器主要用于电缆电路环境中，其结构简单、体积小、应用灵活，并根据主回路所用的电缆规格有多种穿芯孔径相对应，本系列产品穿芯孔径从110mm~400mm，主回路电流包含了63A~2000A。本系列产品能够满足0.2级，0.5级，1级等不同精度的技术要求；同时，还可以满足新国标对平衡特性的严苛要求，不平衡电流输出值亦可以优于30mA，10mA，5mA，甚至于3mA，大大降低由主回路电流磁场干扰而引起的误报警，为设备的可靠性提供了充分的保障。优异先进的制作工艺。保证了其准确度等级，可靠性等技术要求，本系列产品满足GB-14287.2-2005和GB14287.2-2014的要求。

Rectangular through type current transformer is mainly used in cable circuit environment. It has simple structure, small volume and flexible application. According to the specifications of the cable used in the main circuit, there are various through hole diameters. The through hole diameter of this series of products ranges from 110mm to 400mm, and the main circuit current includes 63A to 2000a. This series of products can meet the technical requirements of 0.2 level, 0.5 level, 1 level and other different precision; at the same time, it can also meet the strict requirements of the new national standard for the balance characteristics. The unbalanced current output value can also be better than 30mA, 10mA, 5mA, or even 3mA, greatly reducing the false alarm caused by the magnetic field interference of the main circuit current, providing sufficient guarantee for the reliability of the equipment. Excellent and advanced production process. This series of products meet the requirements of gb-14287.2-2005 and GB 14287.2-2014.

> 产品特点 Product features

- ◆ 穿芯结构、阻燃性环氧树脂浇注、稳定性好。
- ◆ 采用高导磁镍钢或纳米晶，线性度好、灵敏度高
- ◆ 优异的平衡特性、并具有极强的抗电磁场干扰能力
- ◆ Core piercing structure, flame retardant epoxy resin casting, good stability.
- ◆ High magnetic conductivity nickel steel or nanocrystalline, good linearity and high sensitivity
- ◆ Excellent balance characteristics and strong anti electromagnetic interference ability

> 应用范围 Scope of application

电气火灾监控、防火漏电系统、智慧用电系统、小电流接地系统、电磁继电器保护、微机保护、智慧电力、环保监测等。

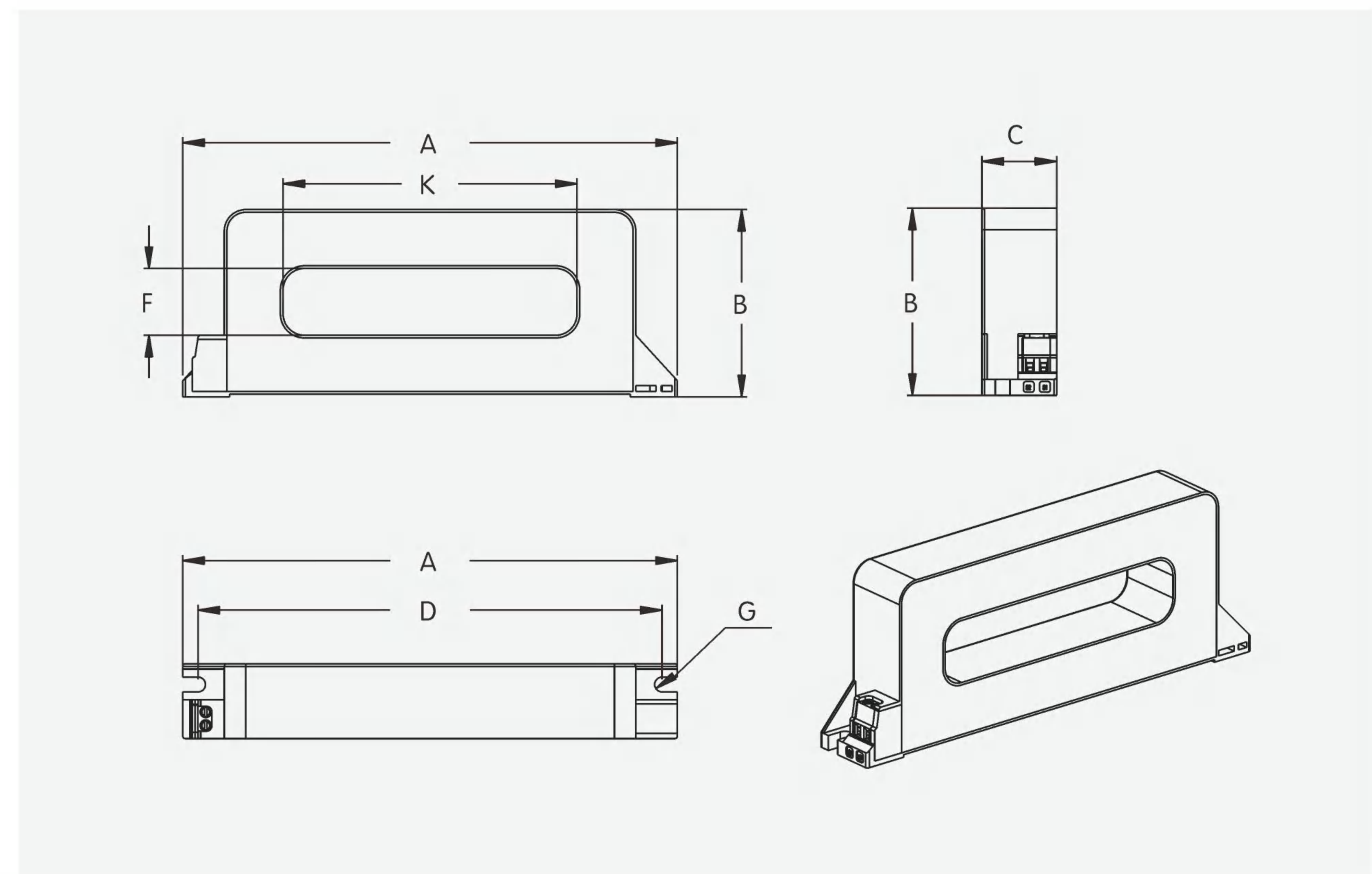
Electrical fire monitoring, fire prevention and leakage system, intelligent power system, small current grounding system, electromagnetic relay protection, microcomputer protection, intelligent power, environmental protection monitoring, etc.

> 性能指标 Performance index

电气参数 Electrical parameters		机械参数 Mechanical parameters	
工作频率 Working frequency	50~400Hz	外壳 Shell	ABS, 阻燃等级94-V0 ABS, Flame retardant grade 94-V0
额定输入 Rated input	10mA~5A	骨架 Skeleton	PBT
测量范围 Measuring range	10%In~130%In	铁芯 Iron core	镍钢或纳米晶 Nickel or nanocrystalline
额定输出 Rated output	0~1v(A或)0~0.5mA	内部结构 Internal structure	环保型环氧树脂浇注 Environment friendly epoxy resin casting
比值差 Ratio difference	≤ ± 0.1%	施工方案 Construction plan	螺丝固定 Screw fixation
相位差 Phase difference	≤ ± 10分	工作温度 Working temperature	-12℃~ +45℃
介质强度 Dielectric strength	2.5KV/1mA/1min	环境湿度 Ambient humidity	≤ 85%
绝缘电阻 Insulation resistance	DC500V/1000MΩ /min	接线方式 Connection mode	端子型/屏蔽绞线1.5米 Terminal type / shielded strand 1.5m

> 外形及安装尺寸 Outline and installation dimensions

型号规格 Model and specification	额定输入(A) Rated input	额定输出 (mA/v) Rated output	精度等级 Accuracy class	外形尺寸 Dimensions(mm)						
				A	B	K	F	C	D	G
CT-1125	0~1A	0~1V (0.5mA)	0.1 0.2 0.5 1.0	185	76	110	25	28	173.5	M6
CT-1535				231	86	150	35	32	217	M6
CT-1935				271	86	190	35	32	257	M6
CT-2445				327	102	240	45	35	313	M6
CT-3045				387	102	300	45	35	373	M6
CT-3545				437	102	350	45	35	423	M6
CT-4045				487	102	400	45	35	473	M6

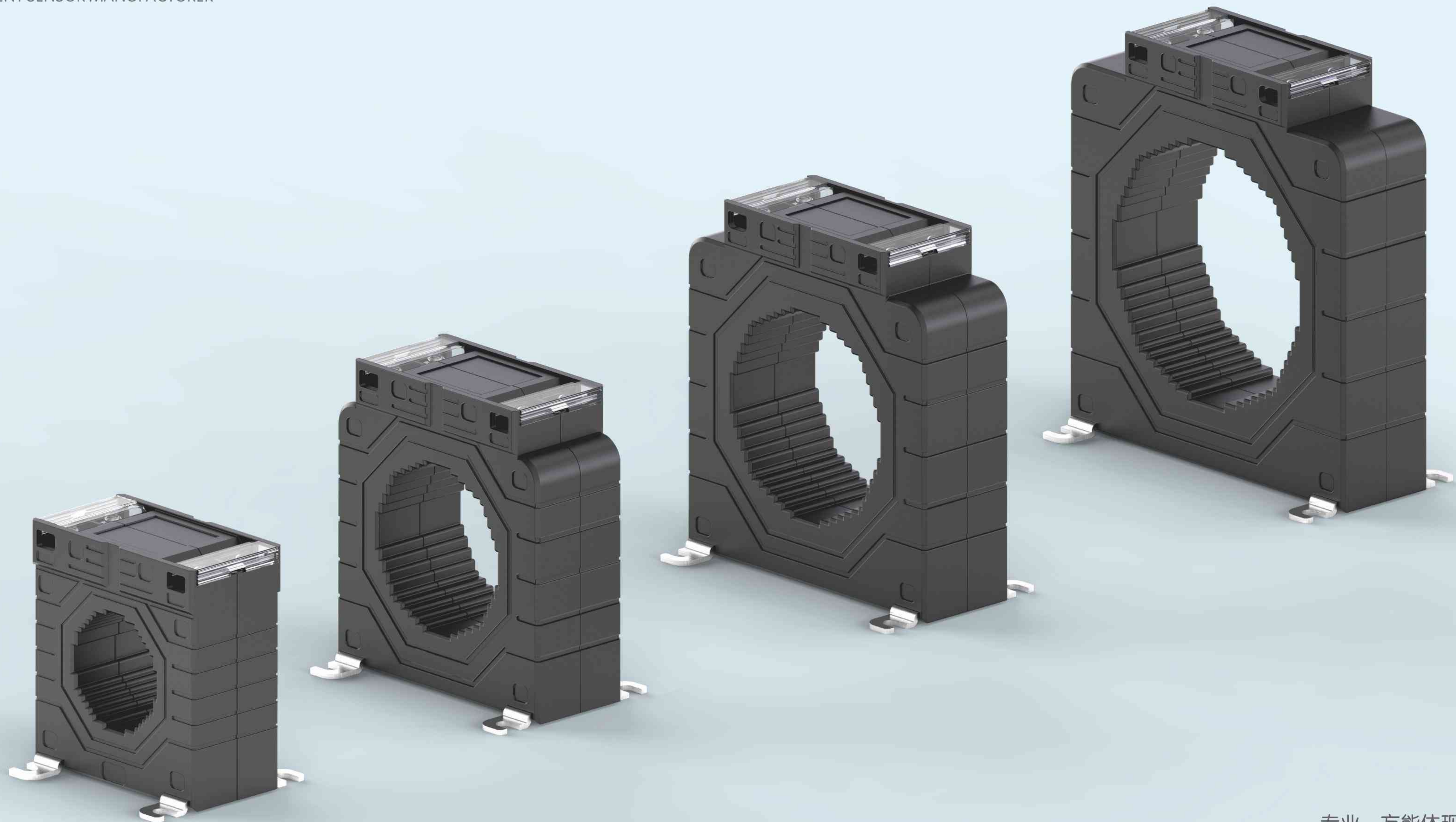


组合式剩余电流互感器

COMBINED RESIDUAL CURRENT TRANSFORMER

物联网电流传感器生产商

IOT CURRENT SENSOR MANUFACTURER



专业，方能体现品质和效率
Professional, can reflect quality and efficiency

> 产品概述 Product overview

圆形组合式剩余电流互感器主要用于电缆电路环境中，其结构简单、体积小、应用灵活，并根据主回路所用的电缆规格有多种穿芯孔直径相对应，本系列产品穿芯孔直径从45mm~100mm，主回路电流包含了63A~2000A。本系列产品能够满足0.2级，0.5级，1级等不同精度的技术要求；同时，还可以满足新国标对平衡特性的严苛要求，不平衡电流输出值亦可以优于30mA，10mA，5mA，甚至于3mA，大大降低由主回路电流磁场干扰而引起的误报警，为设备的可靠性提供了充分的保障。优异先进的制作工艺。保证了其准确度等级，可靠性等技术要求，本系列产品满足GB-14287.2-2005和GB14287.2-2014的要求。

The circular combined residual current transformer is mainly used in the cable circuit environment. It has simple structure, small volume and flexible application. According to the specifications of the cable used in the main circuit, there are a variety of through hole diameters. The through hole diameter of this series of products ranges from 45mm to 100mm, and the main circuit current includes 63A to 2000a. This series of products can meet the technical requirements of grade 0.2, grade 0.5, grade 1 and other different precision; at the same time, it can also meet the strict requirements of the new national standard for balance characteristics, and the unbalanced current output value can be better than 30mA, 10mA, 5mA, even 3mA, greatly reduces the false alarm caused by the interference of current and magnetic field in the main circuit, and provides sufficient guarantee for the reliability of the equipment. Excellent and advanced production process. This series of products meet the requirements of gb-14287.2-2005 and GB 14287.2-2014.

> 产品特点 Product features

- ◆ 穿芯结构、阻燃性环氧树脂浇注、稳定性好。
- ◆ 采用高导磁镍钢或纳米晶，线性度好、灵敏度高
- ◆ 优异的平衡特性、并具有极强的抗电磁场干扰能力
- ◆ Core piercing structure, flame retardant epoxy resin casting, good stability.
- ◆ High magnetic conductivity nickel steel or nanocrystalline, good linearity and high sensitivity
- ◆ Excellent balance characteristics and strong anti electromagnetic interference ability

> 应用范围 Scope of application

电气火灾监控、防火漏电系统、智慧用电系统、小电流接地系统、电磁继电器保护、微机保护、智慧电力、环保监测等。

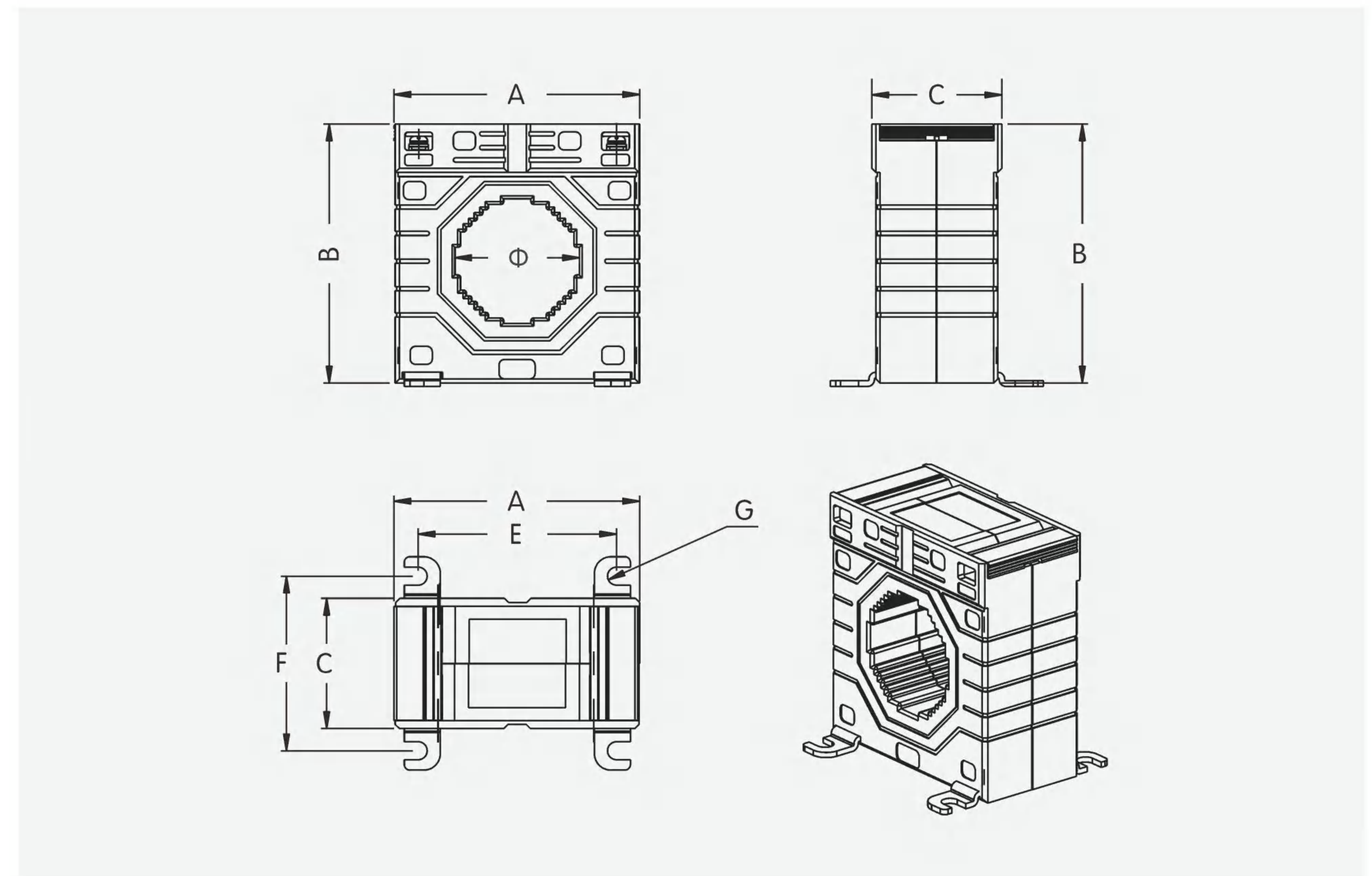
Electrical fire monitoring, fire prevention and leakage system, intelligent power system, small current grounding system, electromagnetic relay protection, microcomputer protection, intelligent power, environmental protection monitoring, etc.

> 性能指标 Performance index

电气参数 Electrical parameters		机械参数 Mechanical parameters	
工作频率 Working frequency	50~400Hz	外壳 Shell	ABS, 阻燃等级94-V0 ABS, Flame retardant grade 94-V0
额定输入 Rated input	10mA~5A	骨架 Skeleton	PBT
测量范围 Measuring range	10%In~130%In	铁芯 Iron core	镍钢或纳米晶 Nickel or nanocrystalline
额定输出 Rated output	0~1v(A或)0~0.5mA	内部结构 Internal structure	环保型环氧树脂浇注 Environment friendly epoxy resin casting
比值差 Ratio difference	≤ ± 0.1%	施工方案 Construction plan	螺丝固定 Screw fixation
相位差 Phase difference	≤ ± 10分	工作温度 Working temperature	-12°C~ +45°C
介质强度 Dielectric strength	2.5KV/1mA/1min	环境湿度 Ambient humidity	≤ 85%
绝缘电阻 Insulation resistance	DC500V/1000MΩ /min	接线方式 Connection mode	端子型/屏蔽绞线1.5米 Terminal type / shielded strand 1.5m

> 外形及安装尺寸 Outline and installation dimensions

型号规格 Model and specification	额定输入(A) Rated input	额定输出 (mA/v) Rated output	精度等级 Accuracy class	外形尺寸 Dimensions(mm)						
				Φ	A	B	C	E	F	G
CTY-45	0~1A	0~1V (0.5mA)	0.1 0.2 0.5 1.0	45mm	87	93.5	47	69	63	M6
CTY-65				65mm	110	119	47	93	63	M6
CTY-80				80mm	130	139	47	112	63	M6
CTY-100				100mm	150	159	47	134.5	63	M6

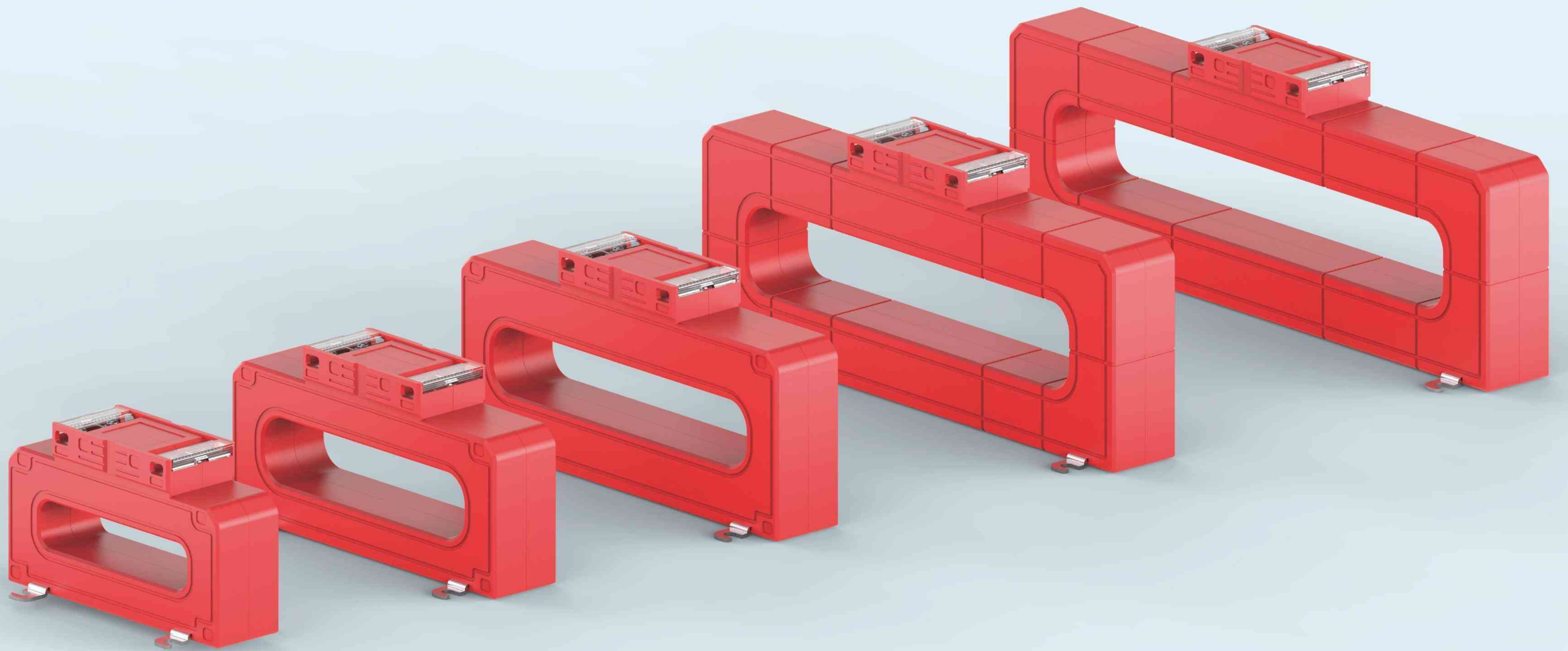


方形组合式剩余电流互感器

SQUARE COMBINED RESIDUAL CURRENT TRANSFORMER

物联网电流传感器生产商

IOT CURRENT SENSOR MANUFACTURER



专业，方能体现品质和效率
Professional, can reflect quality and efficiency

CTYF 方形组合式剩余电流互感器 SQUARE COMBINED RESIDUAL CURRENT TRANSFORMER YUCHENG

> 产品概述 Product overview

方形组合式剩余电流互感器主要用于电缆电路环境中，其结构简单、体积小、应用灵活，并根据主回路所用的电缆规格有多种穿芯孔径相对应，本系列产品穿芯孔径从110mm~590mm，主回路电流包含了63A~3000A。本系列产品能够满足0.2级，0.5级，1级等不同精度的技术要求；同时，还可以满足新国标对平衡特性的严苛要求，不平衡电流输出值亦可以优于30mA，10mA，5mA，甚至于3mA，大大降低由主回路电流磁场干扰而引起的误报警，为设备的可靠性提供了充分的保障。优异先进的制作工艺。保证了其准确度等级，可靠性等技术要求，本系列产品满足GB-14287.2-2005和GB14287.2-2014的要求。

The square combined residual current transformer is mainly used in the cable circuit environment. It has simple structure, small volume and flexible application. According to the specifications of the cable used in the main circuit, there are a variety of through hole diameters. The through hole diameter of this series of products ranges from 110mm to 590mm, and the main circuit current includes 63A to 3000A. This series of products can meet the technical requirements of 0.2 level, 0.5 level, 1 level and other different precision; at the same time, it can also meet the strict requirements of the new national standard for the balance characteristics. The unbalanced current output value can also be better than 30mA, 10mA, 5mA, or even 3mA, greatly reducing the false alarm caused by the magnetic field interference of the main circuit current, providing sufficient guarantee for the reliability of the equipment. Excellent and advanced production process. This series of products meet the requirements of gb-14287.2-2005 and GB 14287.2-2014.

> 产品特点 Product features

- ◆ 穿芯结构、阻燃性环氧树脂浇注、稳定性好。
- ◆ 采用高导磁镍钢或纳米晶，线性度好、灵敏度高
- ◆ 优异的平衡特性、并具有极强的抗电磁场干扰能力
- ◆ Core piercing structure, flame retardant epoxy resin casting, good stability.
- ◆ High magnetic conductivity nickel steel or nanocrystalline, good linearity and high sensitivity
- ◆ Excellent balance characteristics and strong anti electromagnetic interference ability

> 应用范围 Scope of application

电气火灾监控、防火漏电系统、智慧用电系统、小电流接地系统、电磁继电器保护、微机保护、智慧电力、环保监测等。

Electrical fire monitoring, fire prevention and leakage system, intelligent power system, small current grounding system, electromagnetic relay protection, microcomputer protection, intelligent power, environmental protection monitoring, etc.

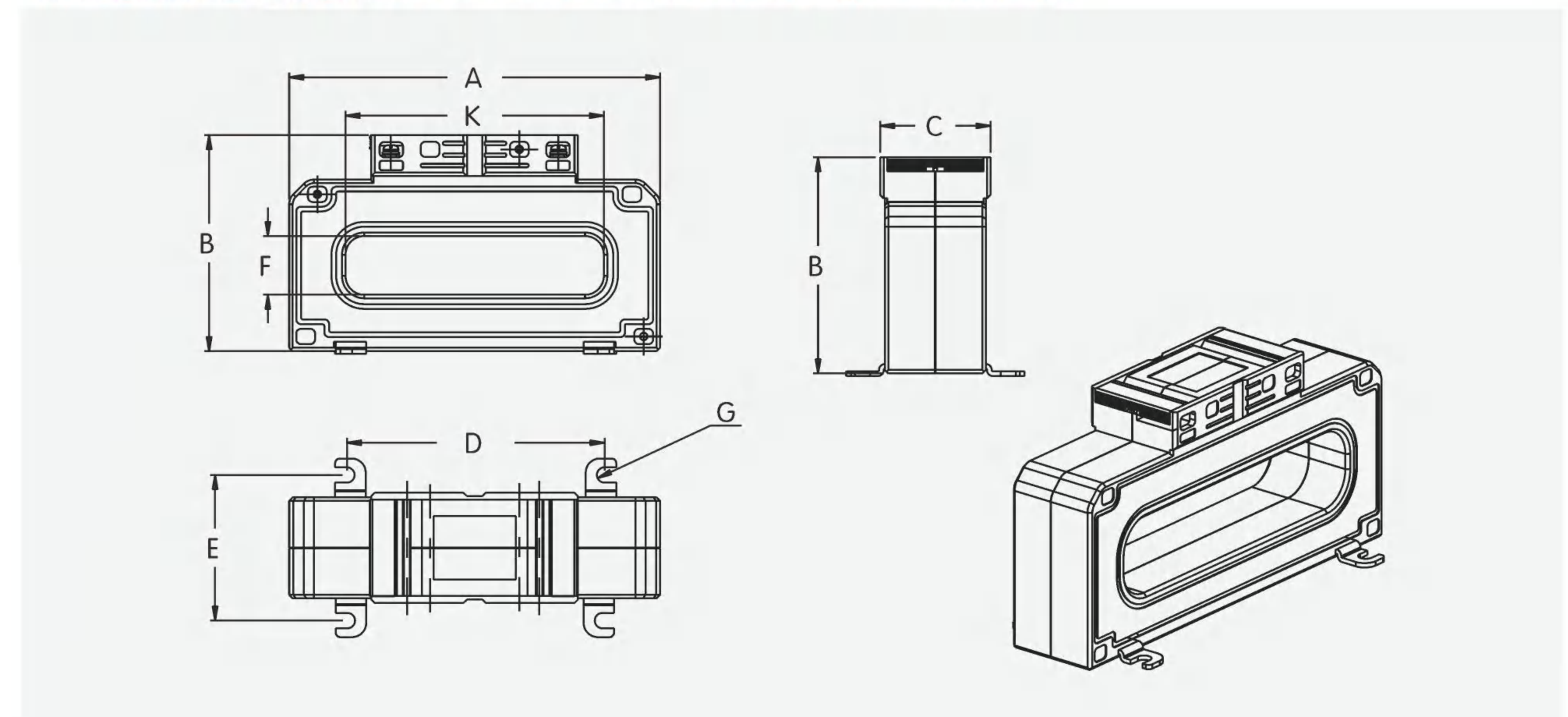
> 性能指标 Performance index

电气参数 Electrical parameters		机械参数 Mechanical parameters	
工作频率 Working frequency	50~400Hz	外壳 Shell	ABS, 阻燃等级94-V0 ABS, Flame retardant grade 94-V0
额定输入 Rated input	10mA~5A	骨架 Skeleton	PBT
测量范围 Measuring range	10%In~130%In	铁芯 Iron core	镍钢或纳米晶 Nickel or nanocrystalline
额定输出 Rated output	0~1v(A或)0~0.5mA	内部结构 Internal structure	环保型环氧树脂浇注 Environment friendly epoxy resin casting
比值差 Ratio difference	≤ ± 0.1%	施工方案 Construction plan	螺丝固定 Screw fixation
相位差 Phase difference	≤ ± 10分	工作温度 Working temperature	-12℃~ +45℃
介质强度 Dielectric strength	2.5KV/1mA/1min	环境湿度 Ambient humidity	≤ 85%
绝缘电阻 Insulation resistance	DC500V/1000MΩ /min	接线方式 Connection mode	端子型/屏蔽绞线1.5米 Terminal type / shielded strand 1.5m

> 外形及安装尺寸 Outline and installation dimensions

型号规格 Model and specification	额定输入(A) Rated input	额定输出 (mA/v) Rated output	精度等级 Accuracy class	外形尺寸 Dimensions(mm)							
				A	B	K	F	C	D	E	G
CTYF-1125	0~1A	0~1V (0.5mA)	0.1 0.2 0.5 1.0	158	92	110	25	47	139	63	M6
CTYF-1535				198	102	150	35	47	147	63	M6
CTYF-2135				275	118	210	35	47	230	63	M6
CTYF-2545				315	128	250	45	47	268	63	M6
CTYF-2940				350	119	290	40	47	310	55	M6
CTYF-3440				400	119	340	40	47	360	55	M6
CTYF-3940				450	119	390	40	47	410	55	M6
CTYF-4440				500	119	440	40	47	460	55	M6
CTYF-4940				550	119	490	40	47	510	55	M6
CTYF-5440				600	119	540	40	47	560	55	M6
CTYF-5940				650	119	590	40	47	610	55	M6

※特殊型号可根据用户需求定制。 Special models can be customized according to the needs of users.



大型组合式剩余电流互感器

LARGE COMBINED RESIDUAL CURRENT TRANSFORMER

物联网电流传感器生产商

IOT CURRENT SENSOR MANUFACTURER

> 产品概述 Product overview

矩形组合式大型剩余电流互感器主要用于电缆电路环境中，其结构简单、体积小、应用灵活，并根据主回路所用的电缆规格有多种穿芯孔径相对应。本系列产品能够满足0.2级，0.5级，1级等不同精度的技术要求；同时，还可以满足新国标对平衡特性的严格要求，不平衡电流输出值亦可以优于30mA，10mA，5mA，甚至于3mA，大大降低由主回路电流磁场干扰而引起的误报警，为设备的可靠性提供了充分的保障。优异先进的制作工艺流程，保证了其准确度等级，可靠性等技术要求，本系列产品满足GB-14287.2-2005和GB14287.2-2014的要求。

Rectangular combined large residual current transformer is mainly used in cable circuit environment. It has the advantages of simple structure, small volume and flexible application. According to the specifications of the cable used in the main circuit, it has a variety of through hole diameters. This series of products can meet the technical requirements of grade 0.2, grade 0.5 and grade 1; At the same time, it can also meet the strict requirements of the new national standard for balance characteristics. The unbalanced current output value can be better than 30mA, 10mA, 5mA, or even 3mA, which greatly reduces the false alarm caused by the magnetic field interference of the main circuit current and provides sufficient guarantee for the reliability of the equipment. Excellent and advanced production process. This series of products meet the requirements of gb-14287.2-2005 and GB 14287.2-2014.



专业，方能体现品质和效率
Professional, can reflect quality and efficiency

CTYD 大型组合式剩余电流互感器 LARGE COMBINED RESIDUAL CURRENT TRANSFORMER YUCHENG

> 产品特点 Product features

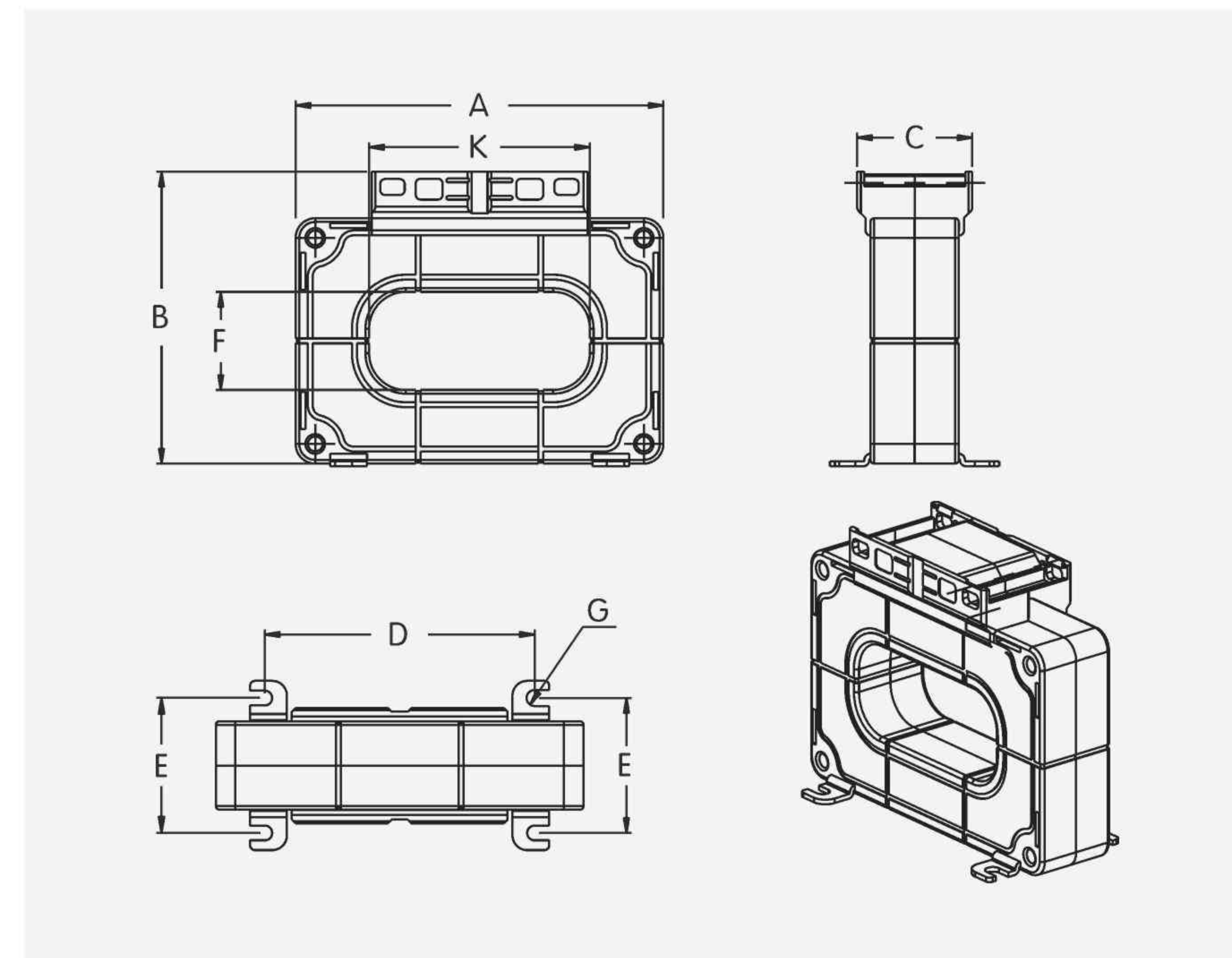
- ◆ 穿芯结构、阻燃性环氧树脂浇注、稳定性好。
- ◆ 采用高导磁镍钢或纳米晶，线性度好、灵敏度高
- ◆ 优异的平衡特性、并具有极强的抗电磁场干扰能力
- ◆ Core piercing structure, flame retardant epoxy resin casting, good stability.
- ◆ High magnetic conductivity nickel steel or nanocrystalline, good linearity and high sensitivity
- ◆ Excellent balance characteristics and strong anti electromagnetic interference ability

> 性能指标 Performance index

电气参数 Electrical parameters		机械参数 Mechanical parameters	
工作频率 Working frequency	50~400Hz	外壳 Shell	ABS, 阻燃等级94-V0 ABS, Flame retardant grade 94-V0
额定输入 Rated input	10mA~5A	骨架 Skeleton	PBT
测量范围 Measuring range	10%In~130%In	铁芯 Iron core	镍钢或纳米晶 Nickel or nanocrystalline
额定输出 Rated output	0~1v(A或)0~0.5mA	内部结构 Internal structure	环保型环氧树脂浇注 Environment friendly epoxy resin casting
比值差 Ratio difference	≤ ± 0.1%	施工方案 Construction plan	螺丝固定 Screw fixation
相位差 Phase difference	≤ ± 10分	工作温度 Working temperature	-12℃~ +45℃
介质强度 Dielectric strength	2.5KV/1mA/1min	环境湿度 Ambient humidity	≤ 85%
绝缘电阻 Insulation resistance	DC500V/1000MΩ /min	接线方式 Connection mode	端子型/屏蔽绞线1.5米 Terminal type / shielded strand 1.5m

> 外形及安装尺寸 Outline and installation dimensions

型号规格 Model and specification	额定输入(A) Rated input	额定输出 (mA/v) Rated output	精度等级 Accuracy class	外形尺寸 Dimensions(mm)									
				A	B	K	F	C	D	E	G		
CTYD-0990	0~1A	0~1V (0.5mA)	0.1	150	169	90	90	47	106	55	M6		
CTYD-1490				200	169	140	90	47	156	55	M6		
CTYD-1990				250	169	190	90	47	206	55	M6		
CTYD-2490				300	169	240	90	47	256	55	M6		
CTYD-2990				350	169	290	90	47	306	55	M6		
CTYD-3490				400	169	340	90	47	356	55	M6		
CTYD-3990				450	169	390	90	47	406	55	M6		
CTYD-4490				500	169	440	90	47	456	55	M6		
CTYD-4990				550	169	490	90	47	506	55	M6		
CTYD-5490				600	169	540	90	47	556	55	M6		
CTYD-5990			650	169	590	90	47	606	55	M6			
CTYD-6490			700	169	640	90	47	656	55	M6			
CTYD-09140			0.2	0.5	1.0	150	219	90	140	47	106	55	M6
CTYD-14140						200	219	140	140	47	156	55	M6
CTYD-19140						250	219	190	140	47	206	55	M6
CTYD-24140						300	219	240	140	47	256	55	M6
CTYD-29140						350	219	290	140	47	306	55	M6
CTYD-34140						400	219	340	140	47	356	55	M6
CTYD-39140						450	219	390	140	47	406	55	M6
CTYD-44140						500	219	440	140	47	456	55	M6
CTYD-49140	550	219				490	140	47	506	55	M6		
CTYD-54140	600	219				540	140	47	556	55	M6		
CTYD-59140	650	219	590	140	47	606	55	M6					
CTYD-64140	700	219	640	140	47	656	55	M6					



※ 特殊型号可根据用户需求定制。Special models can be customized according to the needs of users.

圆形组合式剩余电流互感器

CIRCULAR COMBINED RESIDUAL CURRENT TRANSFORMER

物联网电流传感器生产商

IOT CURRENT SENSOR MANUFACTURER



专业，方能体现品质和效率
Professional, can reflect quality and efficiency

CTY1 圆形组合式剩余电流互感器 CIRCULAR COMBINED RESIDUAL CURRENT TRANSFORMER YUCHENG

> 产品概述 Product overview

圆形组合式剩余电流互感器主要用于电缆电路环境中，其结构简单、体积小、应用灵活，并根据主回路所用的电缆规格有多种穿芯孔径相对应，本系列产品穿芯孔直径从45mm~100mm，主回路电流包含了63A~2000A。本系列产品能够满足0.2级，0.5级，1级等不同精度的技术要求；同时，还可以满足新国标对平衡特性的严苛要求，不平衡电流输出值亦可以优于30mA，10mA，5mA，甚至于3mA，大大降低由主回路电流磁场干扰而引起的误报警，为设备的可靠性提供了充分的保障。优异先进的制作工艺。保证了其准确度等级，可靠性等技术要求，本系列产品满足GB-14287.2-2005和GB14287.2-2014的要求。

The circular combined residual current transformer is mainly used in the cable circuit environment. It has simple structure, small volume and flexible application. According to the specifications of the cable used in the main circuit, there are a variety of through hole diameters. The through hole diameter of this series of products ranges from 45mm to 100mm, and the main circuit current includes 63A to 2000a. This series of products can meet the technical requirements of grade 0.2, grade 0.5 and grade 1; At the same time, it can also meet the strict requirements of the new national standard for balance characteristics. The unbalanced current output value can be better than 30mA, 10mA, 5mA, or even 3mA, which greatly reduces the false alarm caused by the magnetic field interference of the main circuit current and provides sufficient guarantee for the reliability of the equipment. Excellent and advanced production process. This series of products meet the requirements of GB-14287.2-2005 and GB 14287.2-2014.

> 产品特点 Product features

- ◆ 穿芯结构、阻燃性环氧树脂浇注、稳定性好。
- ◆ 采用高导磁镍钢或纳米晶，线性度好、灵敏度高
- ◆ 优异的平衡特性、并具有极强的抗电磁场干扰能力
- ◆ Core piercing structure, flame retardant epoxy resin casting, good stability.
- ◆ High magnetic conductivity nickel steel or nanocrystalline, good linearity and high sensitivity
- ◆ Excellent balance characteristics and strong anti electromagnetic interference ability

> 应用范围 Scope of application

电气火灾监控、防火漏电系统、智慧用电系统、小电流接地系统、电磁继电器保护、微机保护、智慧电力、环保监测等。

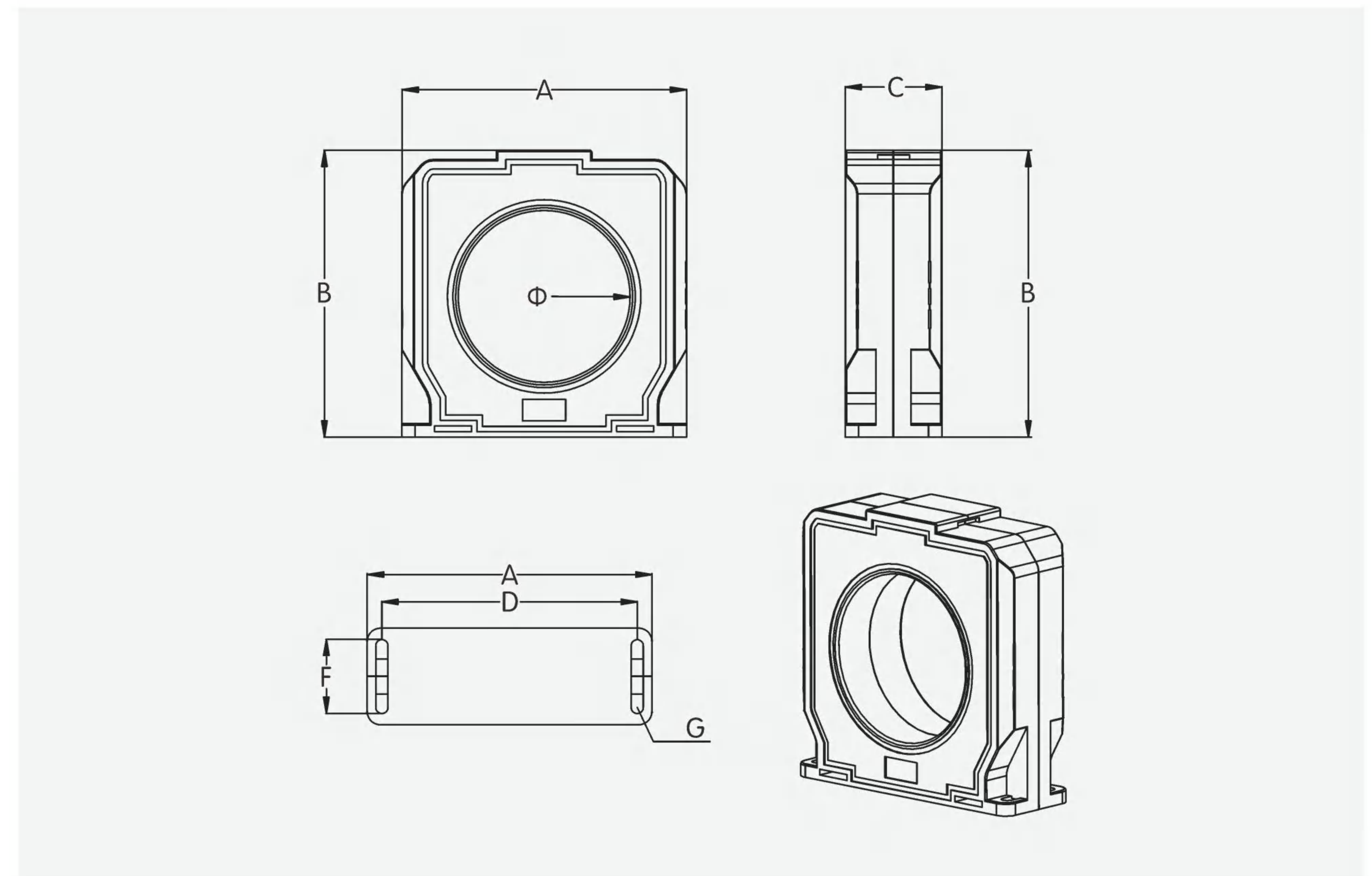
Electrical fire monitoring, fire prevention and leakage system, intelligent power system, small current grounding system, electromagnetic relay protection, microcomputer protection, intelligent power, environmental protection monitoring, etc.

> 性能指标 Performance index

电气参数 Electrical parameters		机械参数 Mechanical parameters	
工作频率 Working frequency	50~400Hz	外壳 Shell	ABS, 阻燃等级94-V0 ABS, Flame retardant grade 94-V0
额定输入 Rated input	10mA~5A	骨架 Skeleton	PBT
测量范围 Measuring range	10%In~130%In	铁芯 Iron core	镍钢或纳米晶 Nickel or nanocrystalline
额定输出 Rated output	0~1v(A或)0~0.5mA	内部结构 Internal structure	环保型环氧树脂浇注 Environment friendly epoxy resin casting
比值差 Ratio difference	≤ ± 0.1%	施工方案 Construction plan	螺丝固定 Screw fixation
相位差 Phase difference	≤ ± 10分	工作温度 Working temperature	-12℃~ +45℃
介质强度 Dielectric strength	2.5KV/1mA/1min	环境湿度 Ambient humidity	≤ 85%
绝缘电阻 Insulation resistance	DC500V/1000MΩ /min	接线方式 Connection mode	端子型/屏蔽绞线1.5米 Terminal type / shielded strand 1.5m

> 外形及安装尺寸 Outline and installation dimensions

型号规格 Model and specification	额定输入(A) Rated input	额定输出 (mA/v) Rated output	精度等级 Accuracy class	外形尺寸 Dimensions(mm)						
				Φ	A	B	C	D	F	G
CTY1-45	0~1A	0~1V (0.5mA)	0.1 0.2 0.5 1.0	45mm	84	84.5	36	73	23	M5
CTY1-65				65mm	106	106.5	36	95	23	M5
CTY1-80				80mm	126	126.5	36	111	23	M5
CTY1-100				100mm	147	147	36	133	23	M5

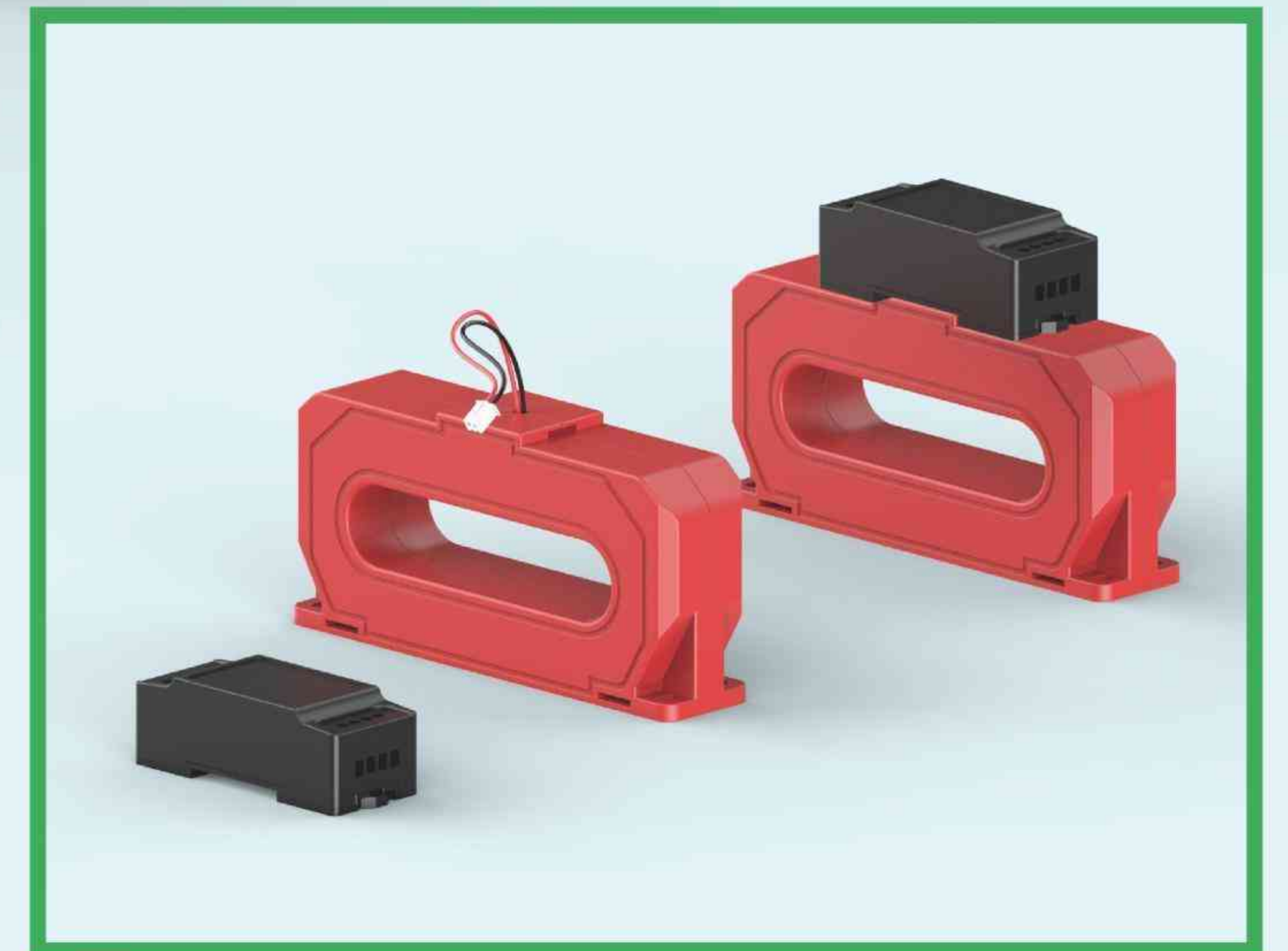


矩形组合式剩余电流互感器

RECTANGULAR COMBINED RESIDUAL CURRENT TRANSFORMER

物联网电流传感器生产商

IOT CURRENT SENSOR MANUFACTURER



专业，方能体现品质和效率
Professional, can reflect quality and efficiency

CTYF1 矩形组合式剩余电流互感器 RECTANGULAR COMBINED RESIDUAL CURRENT TRANSFORMER YUCHENG

> 产品概述 Product overview

矩形组合式剩余电流互感器主要用于电缆电路环境中，其结构简单、体积小、应用灵活，并根据主回路所用的电缆规格有多种穿芯孔径相对应，本系列产品穿芯孔径从100mm~490mm，主回路电流包含了63A~2000A。本系列产品能够满足0.2级、0.5级、1级等不同精度的技术要求；同时，还可以满足新国标对平衡特性的严苛要求，不平衡电流输出值亦可以优于30mA，10mA，5mA，甚至于3mA，大大降低由主回路电流磁场干扰而引起的误报警，为设备的可靠性提供了充分的保障。优异先进的制作工艺。保证了其准确度等级，可靠性等技术要求，本系列产品满足GB-14287.2-2005和GB14287.2-2014的要求。

Rectangular combined residual current transformer is mainly used in cable circuit environment. It has simple structure, small volume and flexible application. According to the specifications of the cable used in the main circuit, there are various through hole diameters. The through hole diameter of this series of products ranges from 100 mm to 490 mm, and the main circuit current includes 63 A to 2000 a. This series of products can meet the technical requirements of grade 0.2, grade 0.5 and grade 1; At the same time, it can also meet the strict requirements of the new national standard for balance characteristics. The unbalanced current output value can be better than 30mA, 10mA, 5mA, or even 3mA, which greatly reduces the false alarm caused by the magnetic field interference of the main circuit current and provides sufficient guarantee for the reliability of the equipment. Excellent and advanced production process. This series of products meet the requirements of GB-14287.2-2005 and GB 14287.2-2014.

> 产品特点 Product features

- ◆ 穿芯结构、阻燃性环氧树脂浇注、稳定性好。
- ◆ 采用高导磁镍钢或纳米晶，线性度好、灵敏度高
- ◆ 优异的平衡特性、并具有极强的抗电磁场干扰能力
- ◆ Core piercing structure, flame retardant epoxy resin casting, good stability.
- ◆ High magnetic conductivity nickel steel or nanocrystalline, good linearity and high sensitivity
- ◆ Excellent balance characteristics and strong anti electromagnetic interference ability

> 应用范围 Scope of application

电气火灾监控、防火漏电系统、智慧用电系统、小电流接地系统、电磁继电器保护、微机保护、智慧电力、环保监测等。

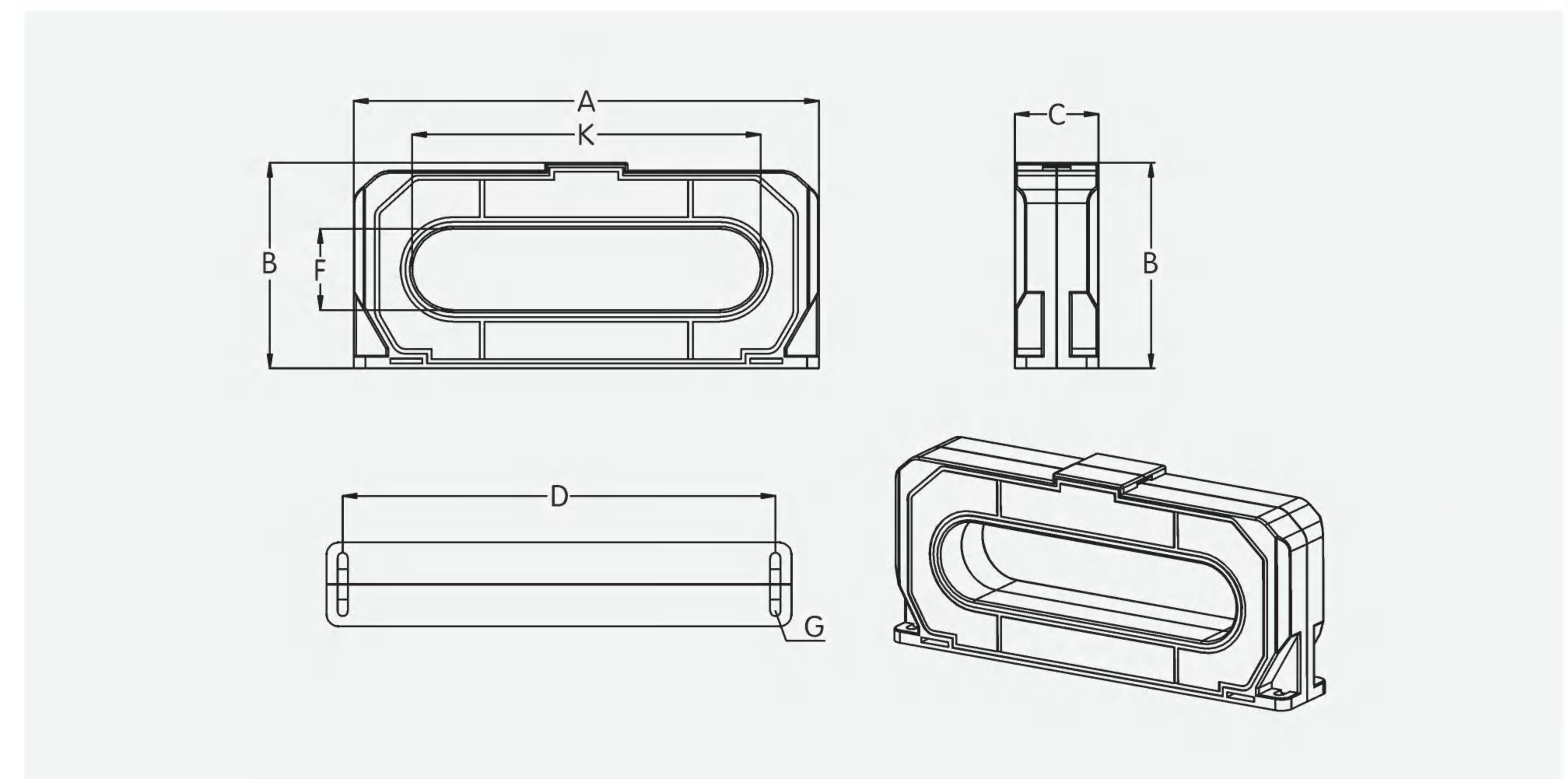
Electrical fire monitoring, fire prevention and leakage system, intelligent power system, small current grounding system, electromagnetic relay protection, microcomputer protection, intelligent power, environmental protection monitoring, etc.

> 性能指标 Performance index

电气参数 Electrical parameters		机械参数 Mechanical parameters	
工作频率 Working frequency	50~400Hz	外壳 Shell	ABS, 阻燃等级94-V0 ABS, Flame retardant grade 94-V0
额定输入 Rated input	10mA~5A	骨架 Skeleton	PBT
测量范围 Measuring range	10%In~130%In	铁芯 Iron core	镍钢或纳米晶 Nickel or nanocrystalline
额定输出 Rated output	0~1v(A或)0~0.5mA	内部结构 Internal structure	环保型环氧树脂浇注 Environment friendly epoxy resin casting
比值差 Ratio difference	≤ ± 0.1%	施工方案 Construction plan	螺丝固定 Screw fixation
相位差 Phase difference	≤ ± 10分	工作温度 Working temperature	-12℃~ +45℃
介质强度 Dielectric strength	2.5KV/1mA/1min	环境湿度 Ambient humidity	≤ 85%
绝缘电阻 Insulation resistance	DC500V/1000MΩ /min	接线方式 Connection mode	端子型/屏蔽绞线1.5米 Terminal type / shielded strand 1.5m

> 外形及安装尺寸 Outline and installation dimensions

型号规格 Model and specification	额定输入(A) Rated input	额定输出 (mA/v) Rated output	精度等级 Accuracy class	外形尺寸 Dimensions(mm)							
				A	B	K	F	C	D	E	G
CTYF1-1125	0~1A	0~1V (0.5mA)	0.1	160	77	110	25	36	145	55	M5
CTYF1-1535				200	88	150	35	36	186	55	M5
CTYF1-1935				240	88	190	35	36	226	55	M5
CTYF1-2445				295	102	240	45	36	276	55	M5
CTYF1-2940				350	104	290	40	36	306	55	M5
CTYF1-3440				400	104	340	40	36	356	55	M5
CTYF1-3940				450	104	390	40	36	406	55	M5
CTYF1-4440				500	104	440	40	36	456	55	M5
CTYF1-4940				550	104	490	40	36	506	55	M5
CTYF1-5440				600	104	540	40	36	556	55	M5
CTYF1-3990				450	154	390	90	36	406	55	M5
CTYF1-4490				500	154	440	90	36	456	55	M5
CTYF1-4990				550	154	490	90	36	506	55	M5

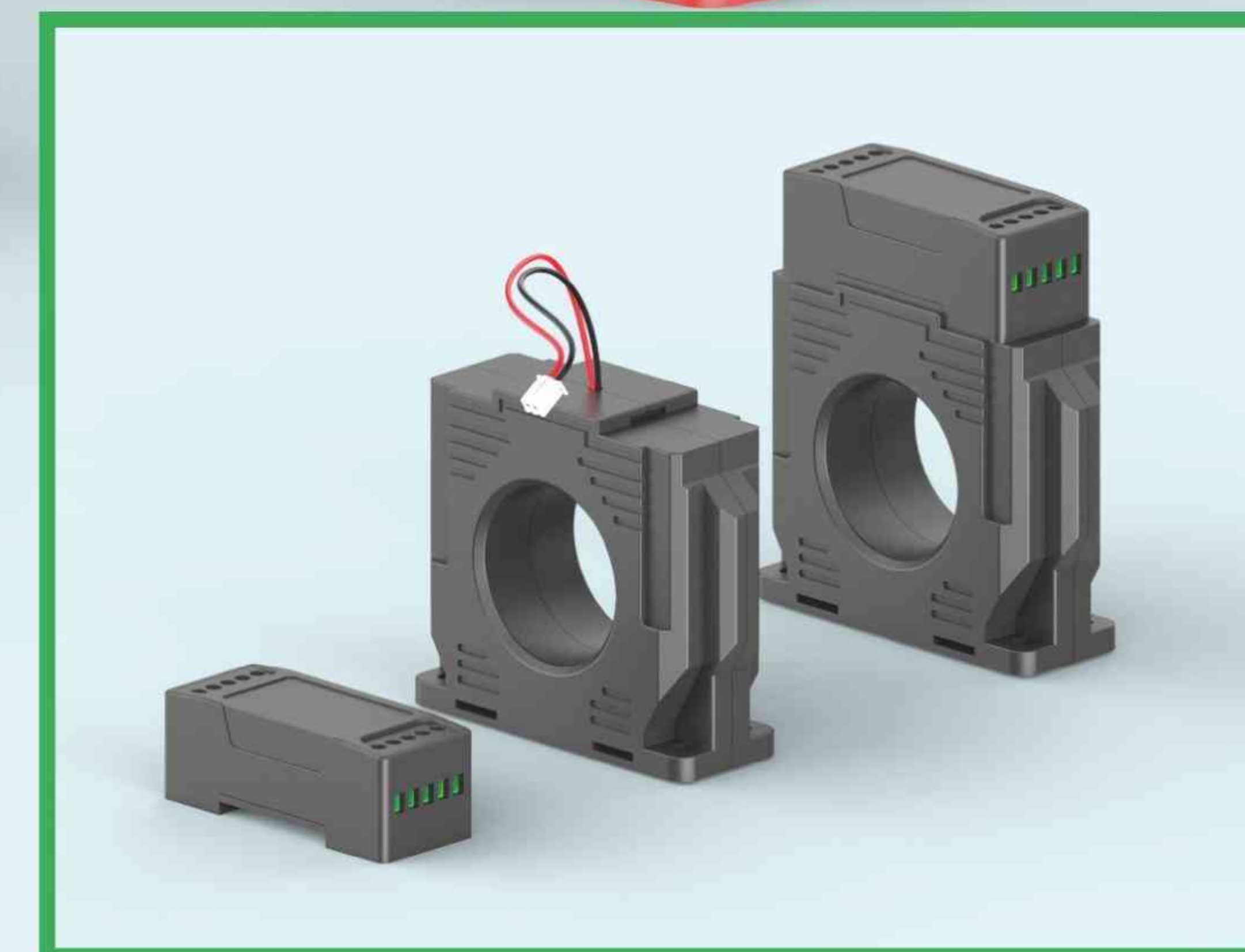
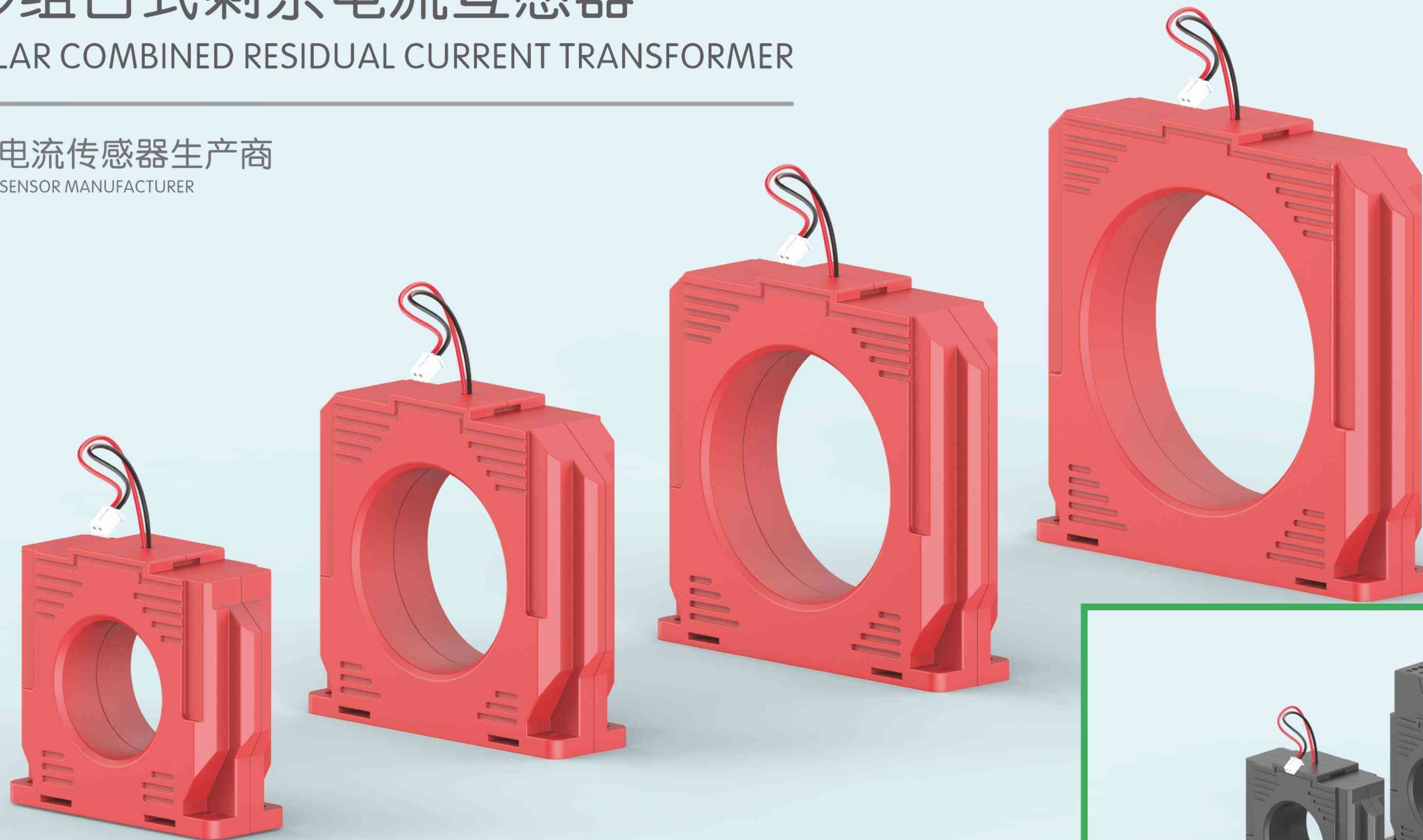


圆形组合式剩余电流互感器

CIRCULAR COMBINED RESIDUAL CURRENT TRANSFORMER

物联网电流传感器生产商

IOT CURRENT SENSOR MANUFACTURER



专业，方能体现品质和效率
Professional, can reflect quality and efficiency

CTY2 圆形组合式剩余电流互感器 CIRCULAR COMBINED RESIDUAL CURRENT TRANSFORMER YUCHENG

> 产品概述 Product overview

圆形组合式剩余电流互感器主要用于电缆电路环境中，其结构简单、体积小、应用灵活，并根据主回路所用的电缆规格有多种穿芯孔径相对应，本系列产品穿芯孔直径从45mm~100mm，主回路电流包含了63A~2000A。本系列产品能够满足0.2级，0.5级，1级等不同精度的技术要求；同时，还可以满足新国标对平衡特性的严苛要求，不平衡电流输出值亦可以优于30mA，10mA，5mA，甚至于3mA，大大降低由主回路电流磁场干扰而引起的误报警，为设备的可靠性提供了充分的保障。优异先进的制作工艺。保证了其准确度等级，可靠性等技术要求，本系列产品满足GB-14287.2-2005和GB14287.2-2014的要求。

Circular combined residual current transformer is mainly used in cable circuit environment. It has simple structure, small volume and flexible application. According to the specifications of the cable used in the main circuit, it has a variety of through hole diameters. The through hole diameter of this series of products ranges from 45mm to 100mm, and the main circuit current includes 63A to 2000a. This series of products can meet the technical requirements of grade 0.2, grade 0.5 and grade 1; At the same time, it can also meet the strict requirements of the new national standard for balance characteristics. The unbalanced current output value can be better than 30mA, 10mA, 5mA, or even 3mA, which greatly reduces the false alarm caused by the magnetic field interference of the main circuit current and provides sufficient guarantee for the reliability of the equipment. Excellent and advanced production process. This series of products meet the requirements of GB-14287.2-2005 and GB 14287.2-2014.

> 产品特点 Product features

- ◆ 适用于组合式电气火灾监控，安装便捷。
- ◆ 穿芯结构、阻燃性环氧树脂浇注、弹垫式接触面，稳定性好。
- ◆ 采用高导磁镍钢或纳米晶，线性度好、灵敏度高。
- ◆ 优异的平衡特性、并具有极强的抗电磁场干扰能力。
- ◆ It is suitable for combined electrical fire monitoring and easy installation.
- ◆ Core piercing structure, fire retardant epoxy resin pouring and elastic pad contact surface, good stability.
- ◆ High conductivity nickel steel or nanocrystalline is adopted, which has good linearity and high sensitivity.
- ◆ Excellent balance characteristics and strong anti electromagnetic interference capability.

> 应用范围 Scope of application

智慧用电系统、农网改造、电气火灾监控、防火漏电系统、小电流接地系统、电磁继电器保护、微机保护等。

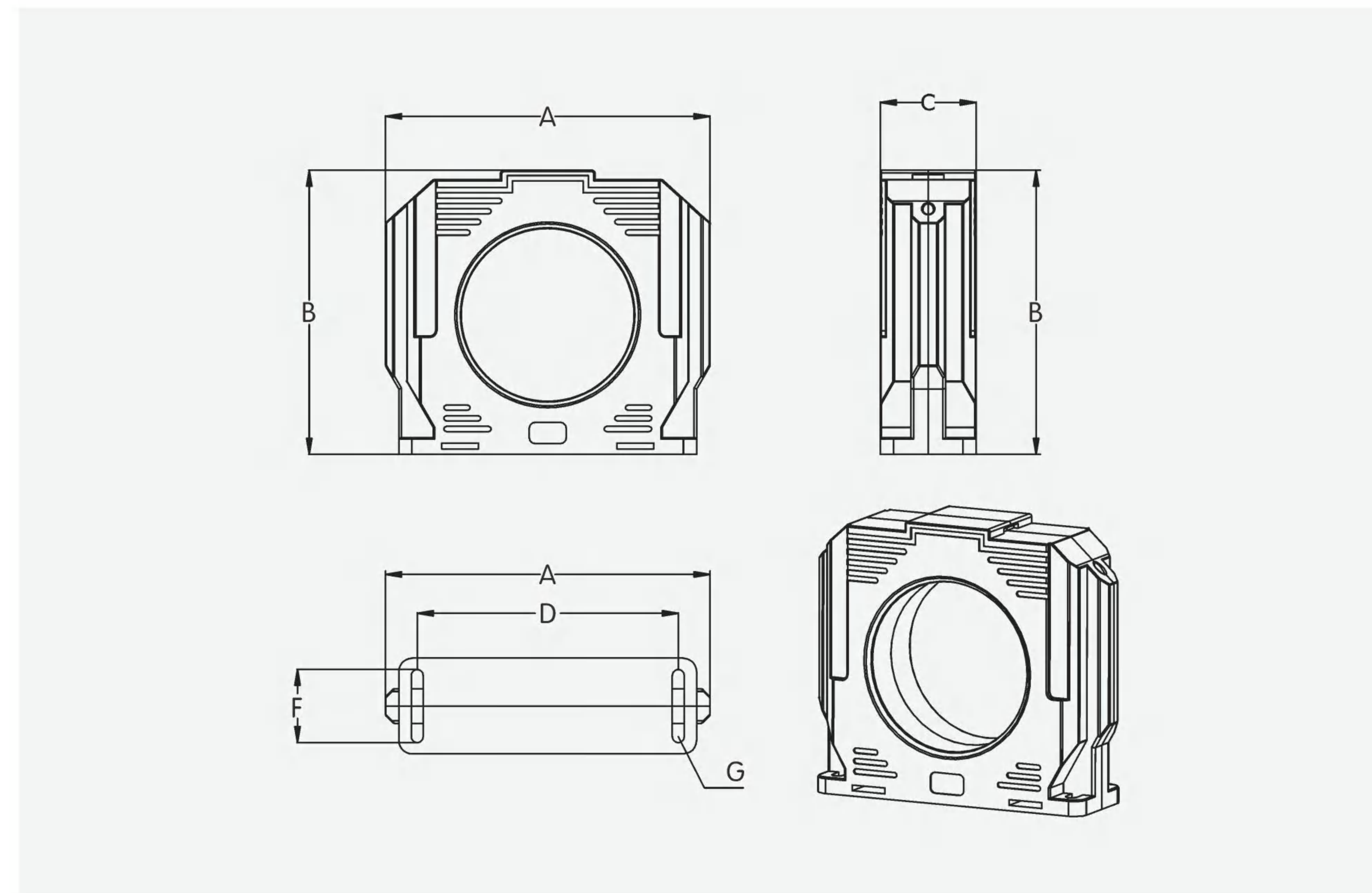
Smart power system, rural power grid transformation, electrical fire monitoring, fire leakage system, small current grounding system, electromagnetic relay protection, microcomputer protection, etc.

> 性能指标 Performance index

电气参数 Electrical parameters		机械参数 Mechanical parameters	
工作频率 Working frequency	50~400Hz	外壳 Shell	ABS, 阻燃等级94-V0 ABS, Flame retardant grade 94-V0
额定输入 Rated input	10mA~5A	骨架 Skeleton	PBT
测量范围 Measuring range	10%In~130%In	铁芯 Iron core	镍钢或纳米晶 Nickel or nanocrystalline
额定输出 Rated output	0~1V(A或)0~0.5mA	内部结构 Internal structure	环保型环氧树脂浇注 Environment friendly epoxy resin casting
比值差 Ratio difference	≤ ± 0.1%	施工方案 Construction plan	螺丝固定 Screw fixation
相位差 Phase difference	≤ ± 10分	工作温度 Working temperature	-12℃~ +45℃
介质强度 Dielectric strength	2.5KV/1mA/1min	环境湿度 Ambient humidity	≤85%
绝缘电阻 Insulation resistance	DC500V/1000MΩ /min	接线方式 Connection mode	端子型/屏蔽绞线1.5米 Terminal type / shielded strand 1.5m

> 外形及安装尺寸 Outline and installation dimensions

型号规格 Model and specification	额定输入(A) Rated input	额定输出 (mA/v) Rated output	精度等级 Accuracy class	外形尺寸 Dimensions(mm)						
				Φ	A	B	C	D	F	G
CTY2-45	0~1A	0~1V (0.5mA)	0.1 0.2 0.5 1.0	45mm	102	84.5	30	77	23	M5
CTY2-65				65mm	122	106.5	30	98	23	M5
CTY2-80				80mm	137	122.5	30	113	23	M5
CTY2-100				100mm	157	142	30	133	23	M5

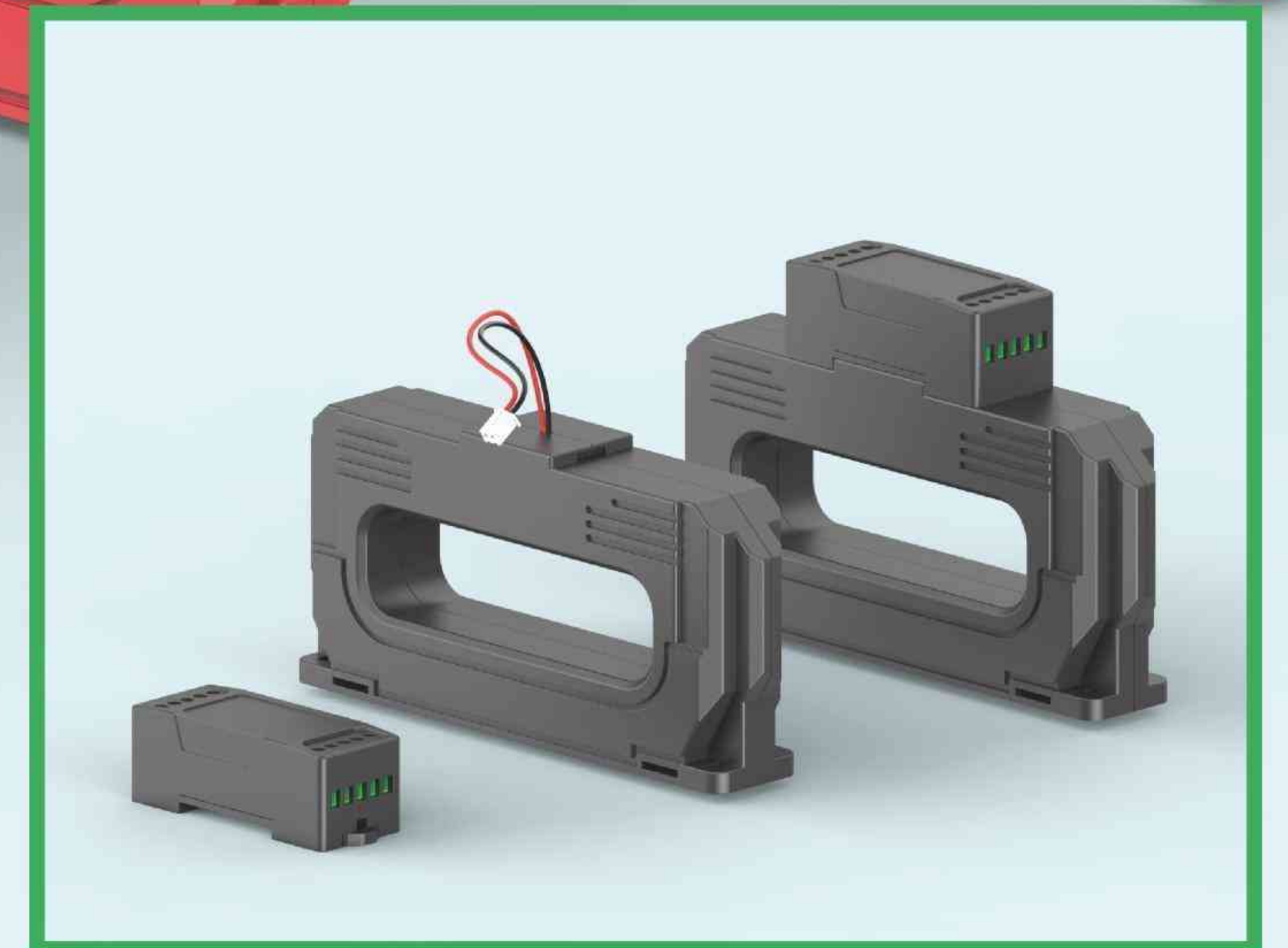
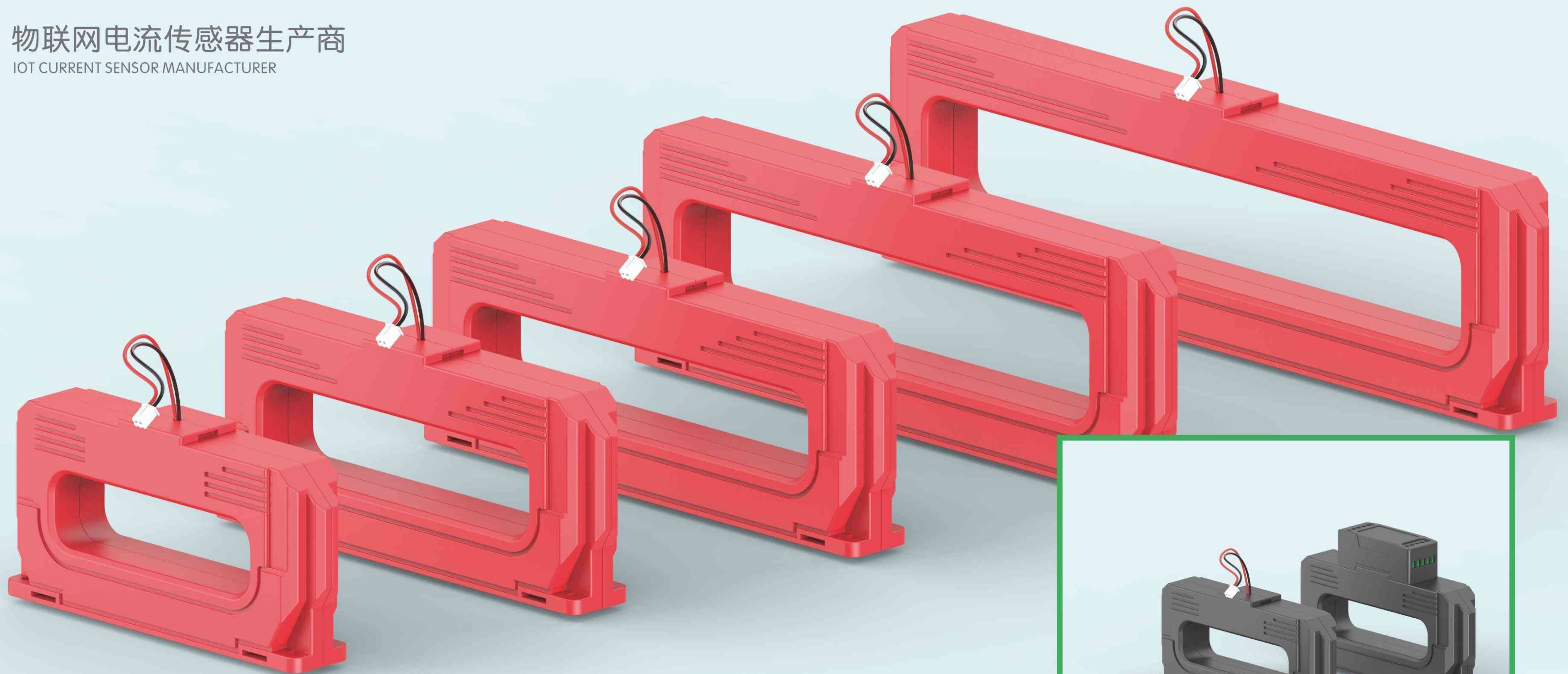


矩形组合式剩余电流互感器

RECTANGULAR COMBINED RESIDUAL CURRENT TRANSFORMER

物联网电流传感器生产商

IOT CURRENT SENSOR MANUFACTURER



专业，方能体现品质和效率
Professional, can reflect quality and efficiency

CTFY2 矩形组合式剩余电流互感器 RECTANGULAR COMBINED RESIDUAL CURRENT TRANSFORMER YUCHENG

> 产品概述 Product overview

矩形组合式剩余电流互感器主要用于电缆电路环境中，其结构简单、体积小、应用灵活，并根据主回路所用的电缆规格有多种穿芯孔径相对应，本系列产品穿芯孔径从110mm~300mm，主回路电流包含了63A~2000A。本系列产品能够满足0.1级，0.2级，0.5级，1级等不同精度的技术要求；同时，还可以满足新国标对平衡特性的严苛要求，不平衡电流输出值亦可以优于30mA，10mA，5mA，甚至于3mA，大大降低由主回路电流磁场干扰而引起的误报警，为设备的可靠性提供了充分的保障。优异先进的制作工艺。保证了其准确度等级，可靠性等技术要求，本系列产品满足GB-14287.2-2005和GB14287.2-2014的要求。

Rectangular combined residual current transformer is mainly used in cable circuit environment. It has simple structure, small volume and flexible application. According to the specifications of the cable used in the main circuit, there are a variety of through hole diameters. The through hole diameter of this series of products ranges from 110mm to 300mm, and the main circuit current includes 63A to 2000a. This series of products can meet the technical requirements of grade 0.1, grade 0.2, grade 0.5 and grade 1; At the same time, it can also meet the strict requirements of the new national standard for balance characteristics. The unbalanced current output value can be better than 30mA, 10mA, 5mA, or even 3mA, which greatly reduces the false alarm caused by the magnetic field interference of the main circuit current and provides sufficient guarantee for the reliability of the equipment. Excellent and advanced production process. This series of products meet the requirements of GB-14287.2-2005 and GB 14287.2-2014.

> 产品特点 Product features

- ◆ 适用于组合式电气火灾监控，安装便捷，采用上下开合方式。
- ◆ 穿芯结构、阻燃性环氧树脂浇注、弹垫式接触面，稳定性好。
- ◆ 采用高导磁镍钢或纳米晶，线性度好、灵敏度高。
- ◆ 优异的平衡特性、并具有极强的抗电磁场干扰能力。
- ◆ It is suitable for combined electrical fire monitoring, easy to install, and adopts up and down opening and closing mode.
- ◆ Core piercing structure, flame retardant epoxy resin casting, elastic pad contact surface, good stability.
- ◆ High magnetic conductivity nickel steel or nanocrystalline, good linearity and high sensitivity.
- ◆ Excellent balance characteristics and strong anti electromagnetic interference ability.

> 应用范围 Scope of application

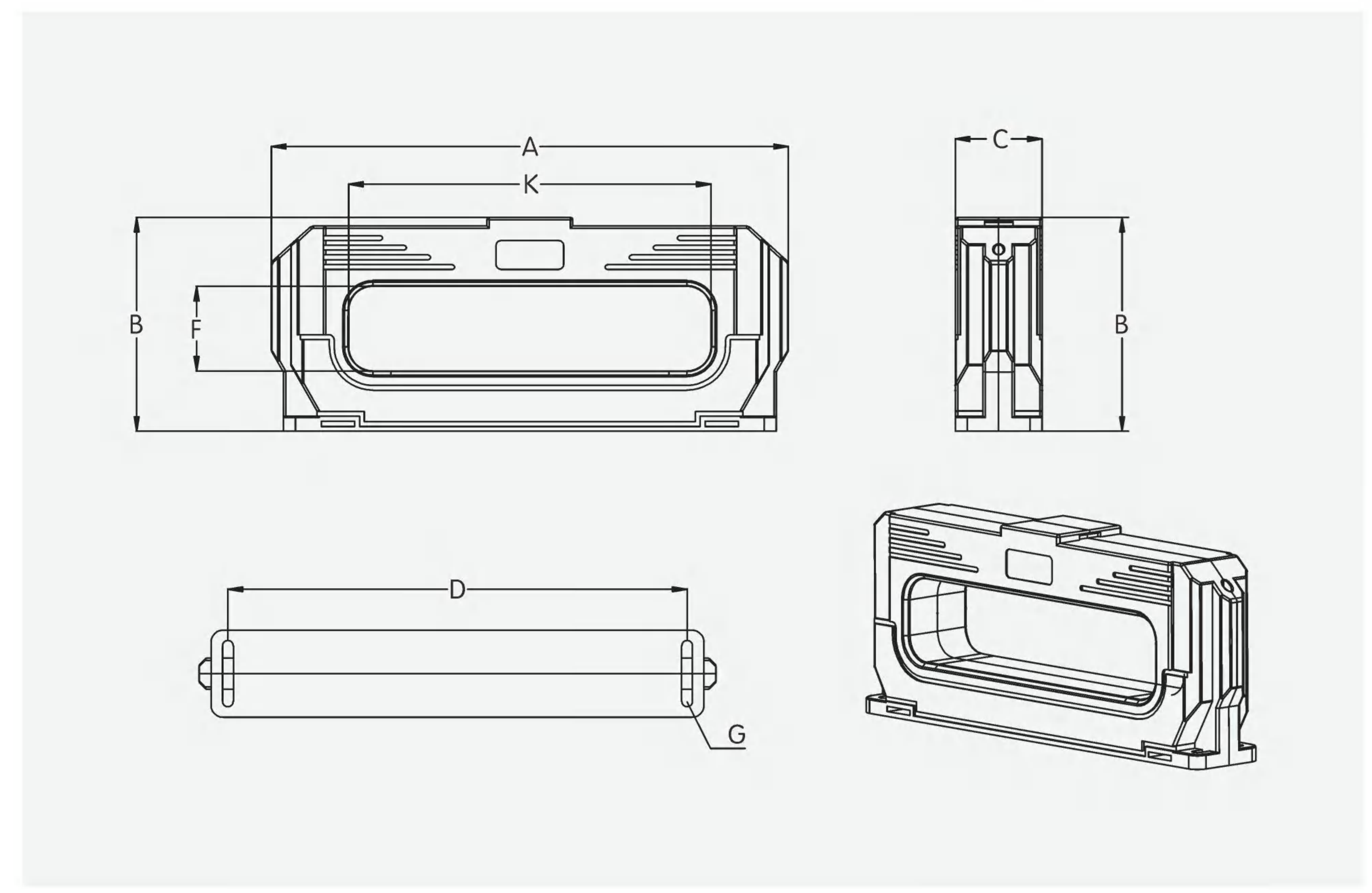
电气火灾监控、防火漏电系统、智慧用电系统、小电流接地系统、电磁继电器保护、微机保护等。
 Electrical fire monitoring, fire prevention and leakage system, intelligent power system, small current grounding system, electromagnetic relay protection, microcomputer protection, etc.

> 性能指标 Performance index

电气参数 Electrical parameters		机械参数 Mechanical parameters	
工作频率 Working frequency	50~400Hz	外壳 Shell	ABS, 阻燃等级94-V0 ABS, Flame retardant grade 94-V0
额定输入 Rated input	10mA~5A	骨架 Skeleton	PBT
测量范围 Measuring range	10%I _n ~130%I _n	铁芯 Iron core	镍钢或纳米晶 Nickel or nanocrystalline
额定输出 Rated output	0~1V(A)或0~0.5mA	内部结构 Internal structure	环保型环氧树脂浇注 Environment friendly epoxy resin casting
比值差 Ratio difference	≤ ± 0.1%	施工方案 Construction plan	螺丝固定 Screw fixation
相位差 Phase difference	≤ ± 10分	工作温度 Working temperature	-12℃ ~ +45℃
介质强度 Dielectric strength	2.5KV/1mA/1min	环境湿度 Ambient humidity	≤ 85%
绝缘电阻 Insulation resistance	DC500V/1000MΩ /min	接线方式 Connection mode	端子型/屏蔽绞线1.5米 Terminal type / shielded strand 1.5m

> 外形及安装尺寸 Outline and installation dimensions

型号规格 Model and specification	额定输入(A) Rated input	额定输出 (mA/V) Rated output	精度等级 Accuracy class	外形尺寸 Dimensions(mm)						
				A	B	K	F	C	D	G
CTFY2-1130	0~1A	0~1V (0.5mA)	0.1	174	83.7	110	30	30	150	M5
CTFY2-1535				214	89	150	35	30	189	M5
CTFY2-1935				254	89	190	35	30	230	M5
CTFY2-2445				305	99	240	45	30	280	M5
CTFY2-2940				350	103	290	40	36	330	M5



组合式控制模块

COMBINED CONTROL MODULE

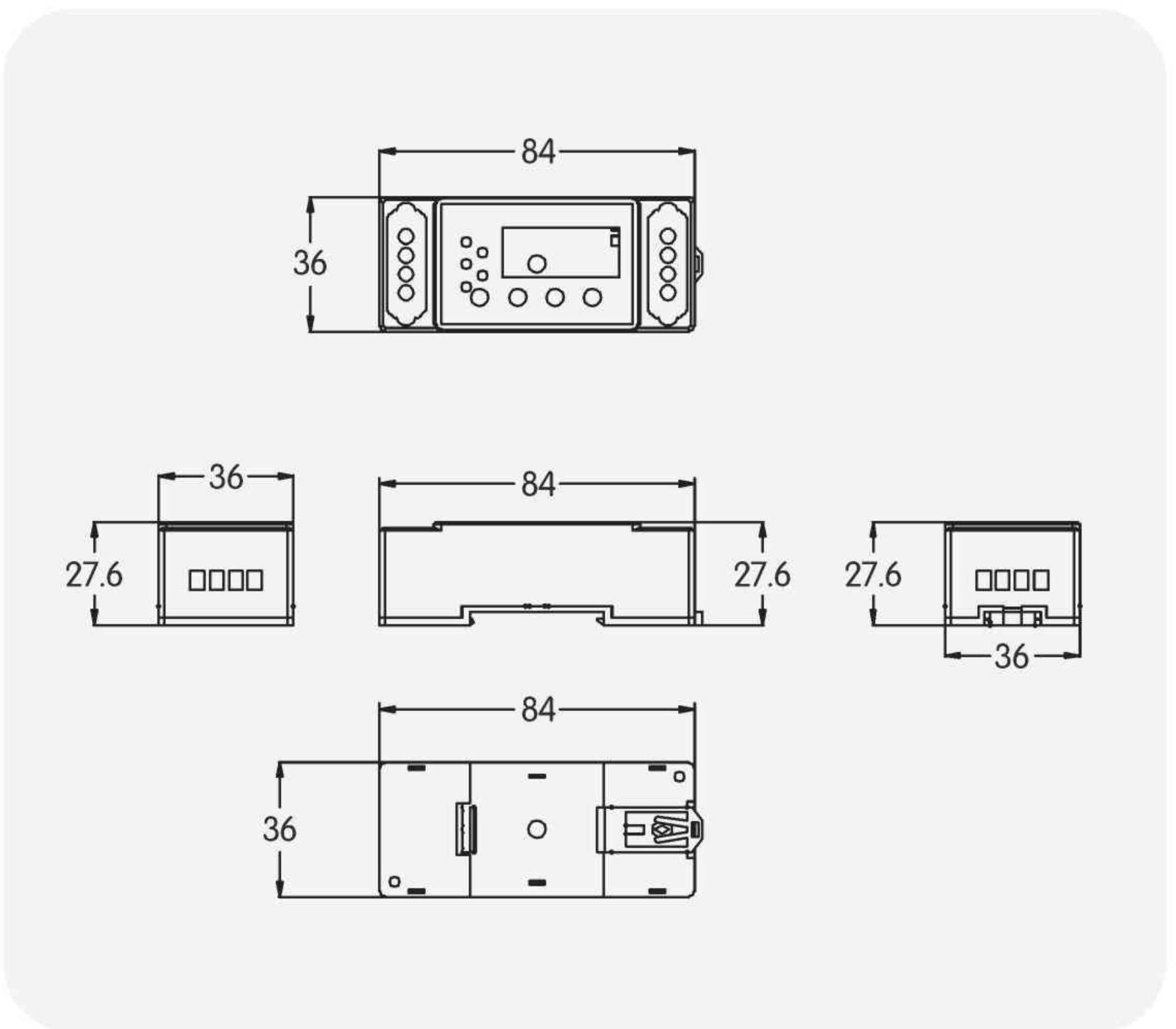
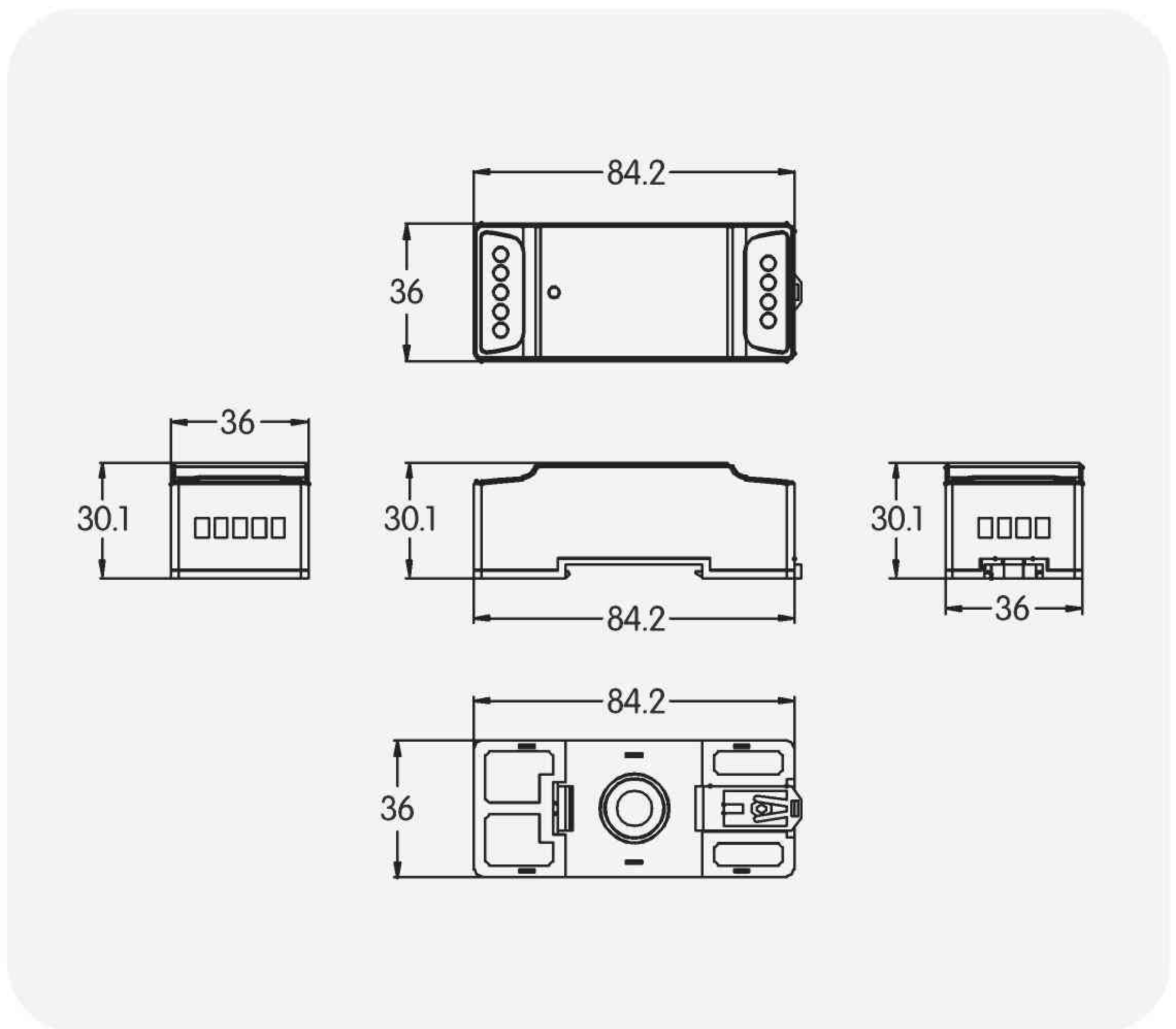
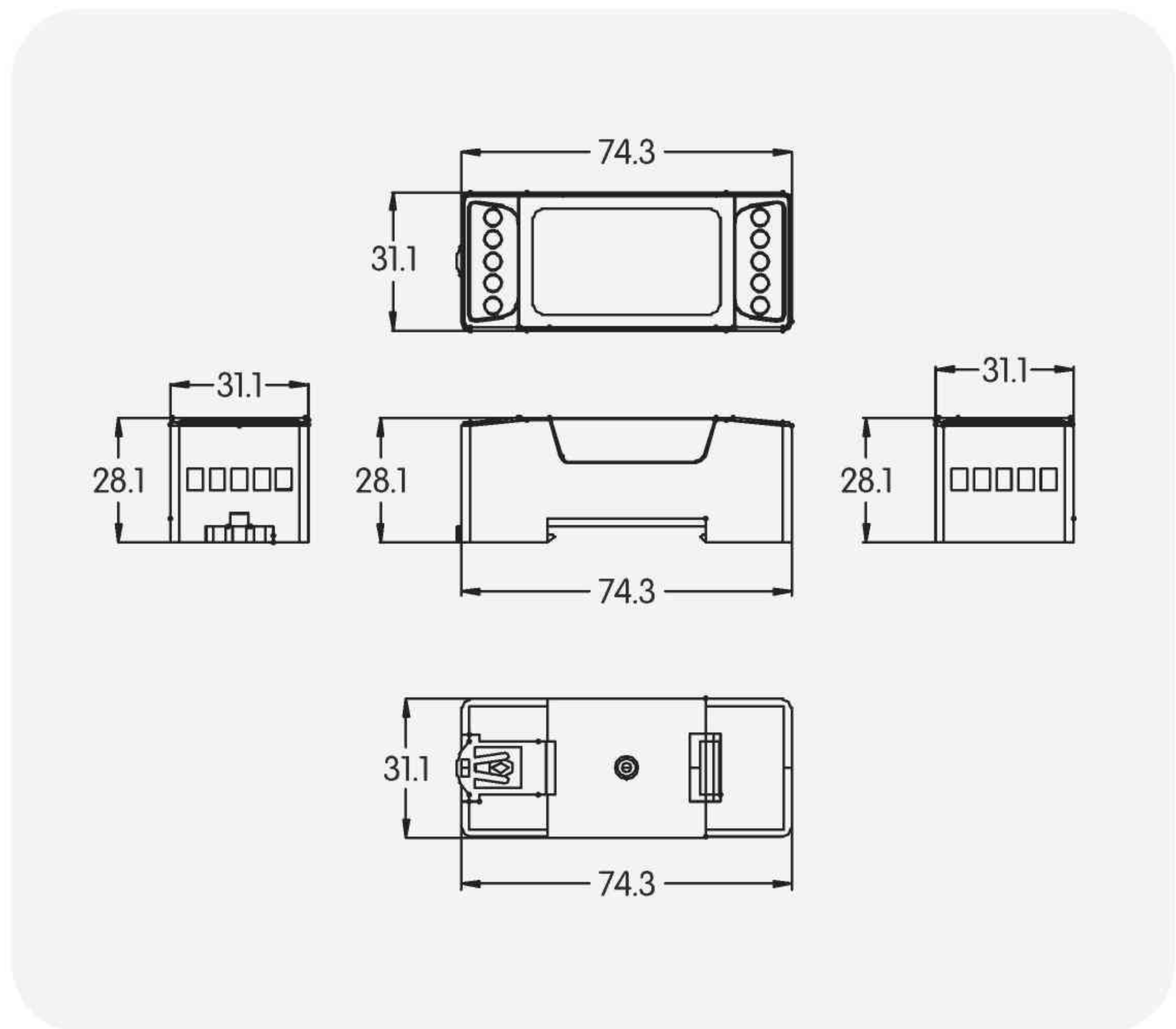
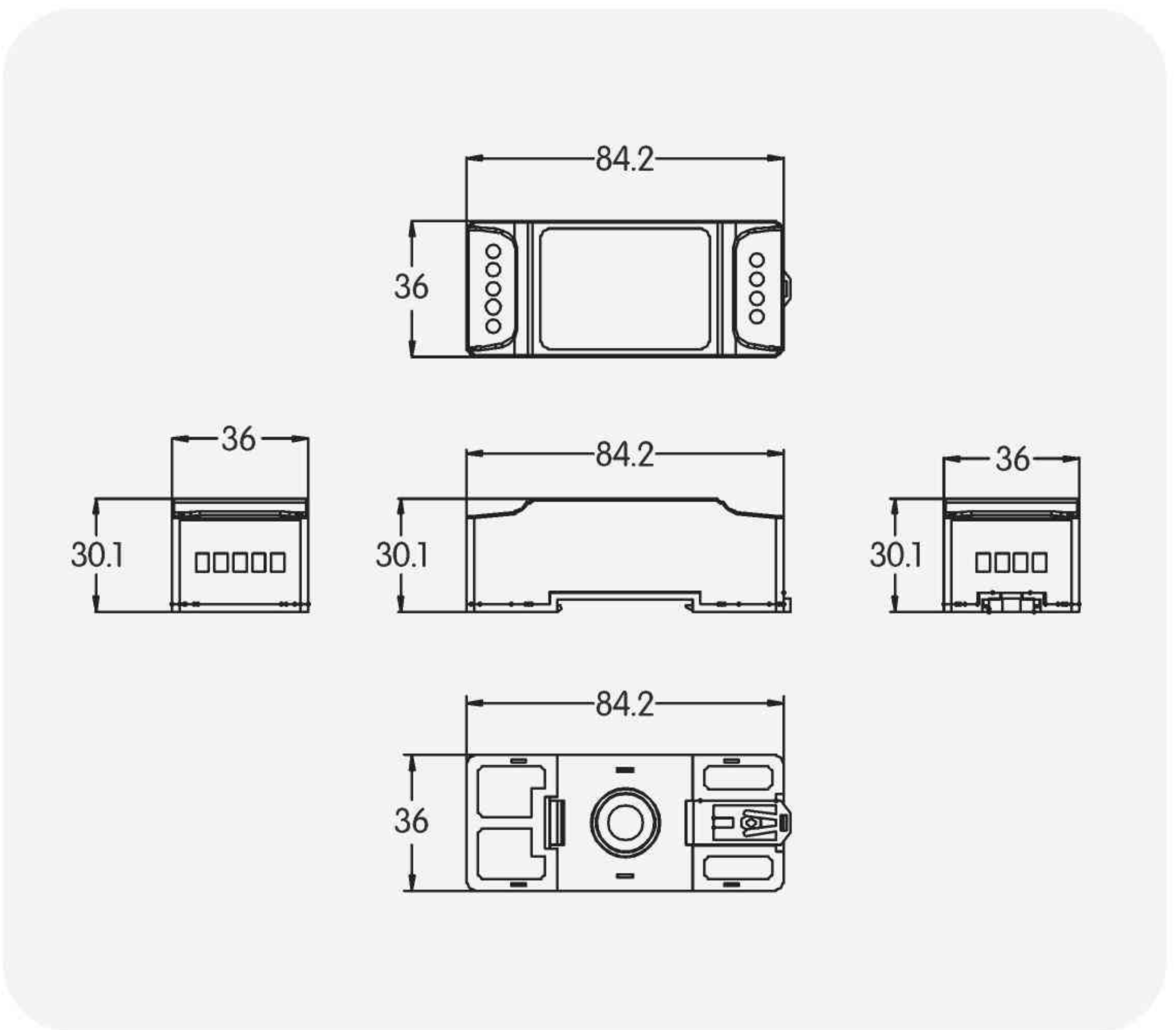
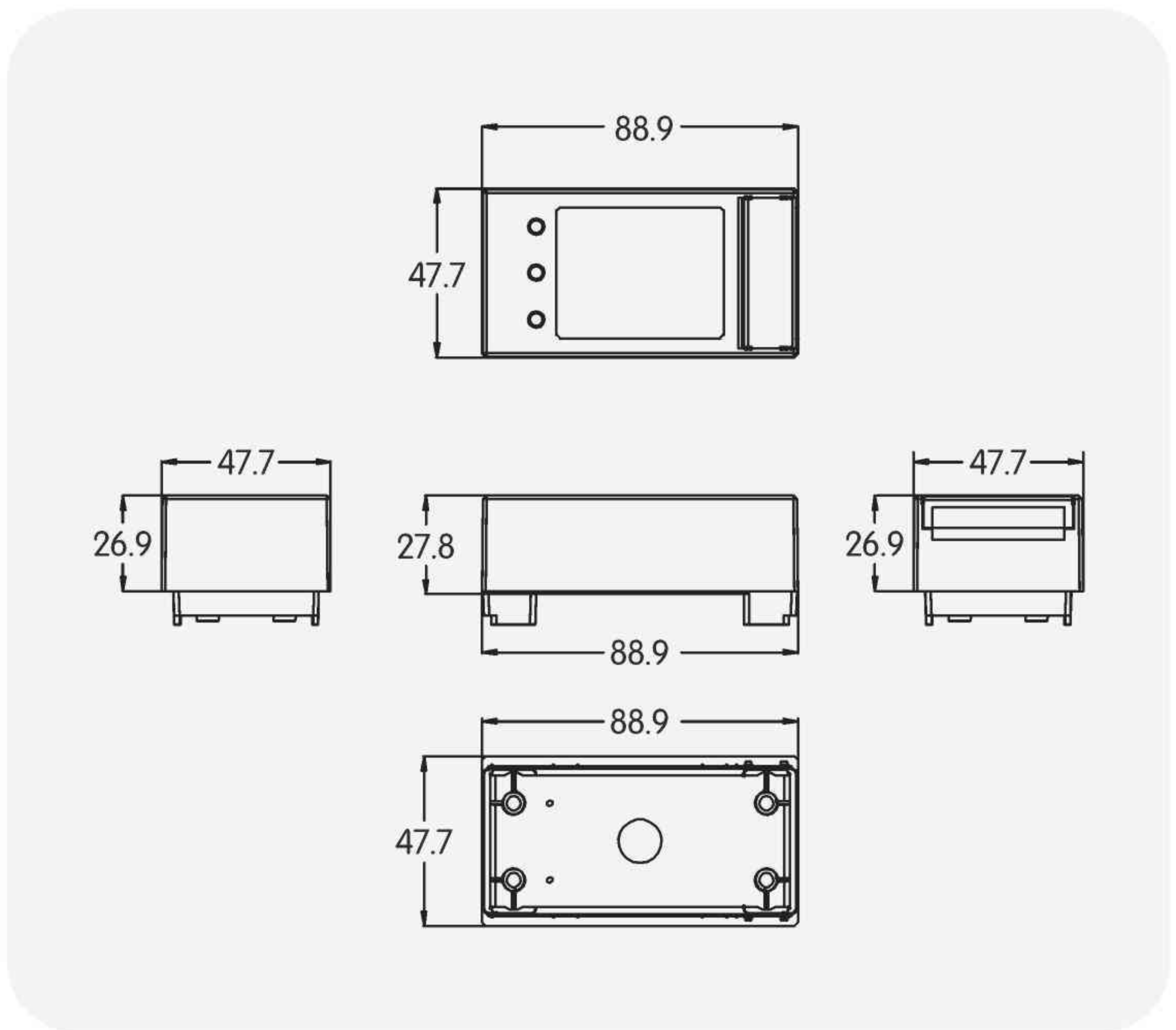
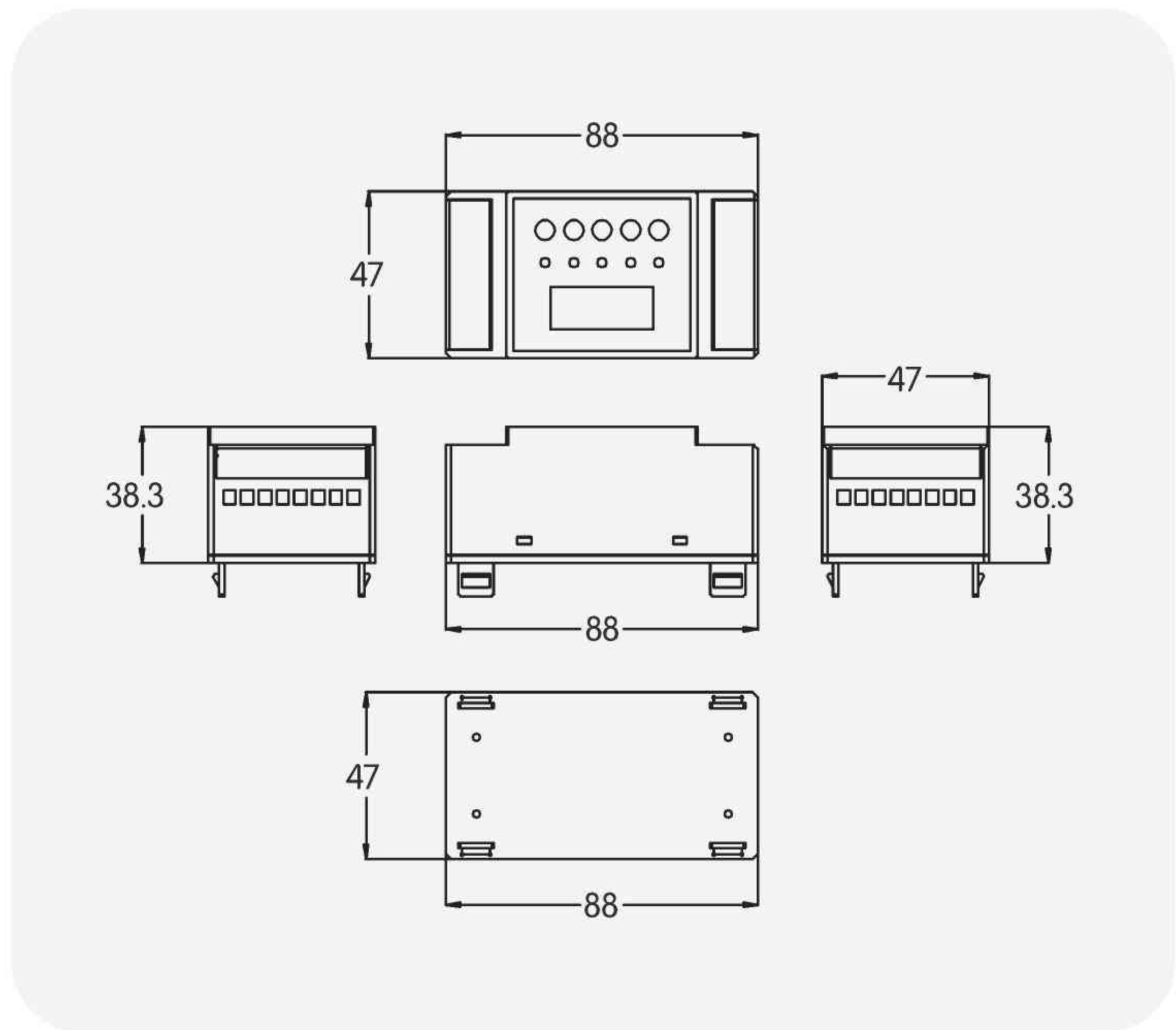
物联网电流传感器生产商
IOT CURRENT SENSOR MANUFACTURER



专业，方能体现品质和效率
Professional, can reflect quality and efficiency

MK 组合式控制模块 COMBINED CONTROL MODULE YUCHENG

> 外形及安装尺寸 Outline and installation dimensions



开合式圆形剩余电流互感器

OPEN-CLOSE TYPE CIRCULAR RESIDUAL CURRENT TRANSFORMER

物联网电流传感器生产商

IOT CURRENT SENSOR MANUFACTURER



专业，方能体现品质和效率
Professional, can reflect quality and efficiency

CTK11 开合式圆形剩余电流互感器 OPEN-CLOSE TYPE CIRCULAR RESIDUAL CURRENT TRANSFORMER YUCHENG

> 产品概述 Product overview

圆形穿芯式电流互感器主要用于电缆电路环境中，其结构简单、体积小、应用灵活，并根据主回路所用的电缆规格有多种穿芯孔径相对应，本系列产品穿芯孔直径从30mm~200mm，主回路电流包含了63A~2000A。本系列产品能够满足0.2级，0.5级，1级等不同精度的技术要求；同时，还可以满足新国标对平衡特性的严苛要求，不平衡电流输出值亦可以优于30mA，10mA，5mA，甚至于3mA，大大降低由主回路电流磁场干扰而引起的误报警，为设备的可靠性提供了充分的保障。优异先进的制作工艺流程。保证了其准确度等级，可靠性等技术要求，本系列产品满足GB-14287.2-2005和GB14287.2-2014的要求。

Circular through type current transformer is mainly used in cable circuit environment. It has simple structure, small volume and flexible application. According to the specifications of the cable used in the main circuit, there are a variety of through hole diameters. The through hole diameter of this series of products ranges from 30mm to 200mm, and the main circuit current includes 63A to 2000a. This series of products can meet the technical requirements of 0.2 level, 0.5 level, 1 level and other different precision; at the same time, it can also meet the strict requirements of the new national standard for the balance characteristics. The unbalanced current output value can also be better than 30mA, 10mA, 5mA, or even 3mA, greatly reducing the false alarm caused by the magnetic field interference of the main circuit current, providing sufficient guarantee for the reliability of the equipment. Excellent and advanced production process. This series of products meet the requirements of gb-14287.2-2005 and GB 14287.2-2014.

> 产品特点 Product features

- ◆ 穿芯结构、阻燃性环氧树脂浇注、稳定性好。
- ◆ 采用高导磁镍钢或纳米晶，线性度好、灵敏度高
- ◆ 优异的平衡特性、并具有极强的抗电磁场干扰能力
- ◆ Core piercing structure, flame retardant epoxy resin casting, good stability.
- ◆ High magnetic conductivity nickel steel or nanocrystalline, good linearity and high sensitivity
- ◆ Excellent balance characteristics and strong anti electromagnetic interference ability

> 应用范围 Scope of application

电气火灾监控、防火漏电系统、智慧用电系统、小电流接地系统、电磁继电器保护、微机保护、智慧电力、环保监测等。

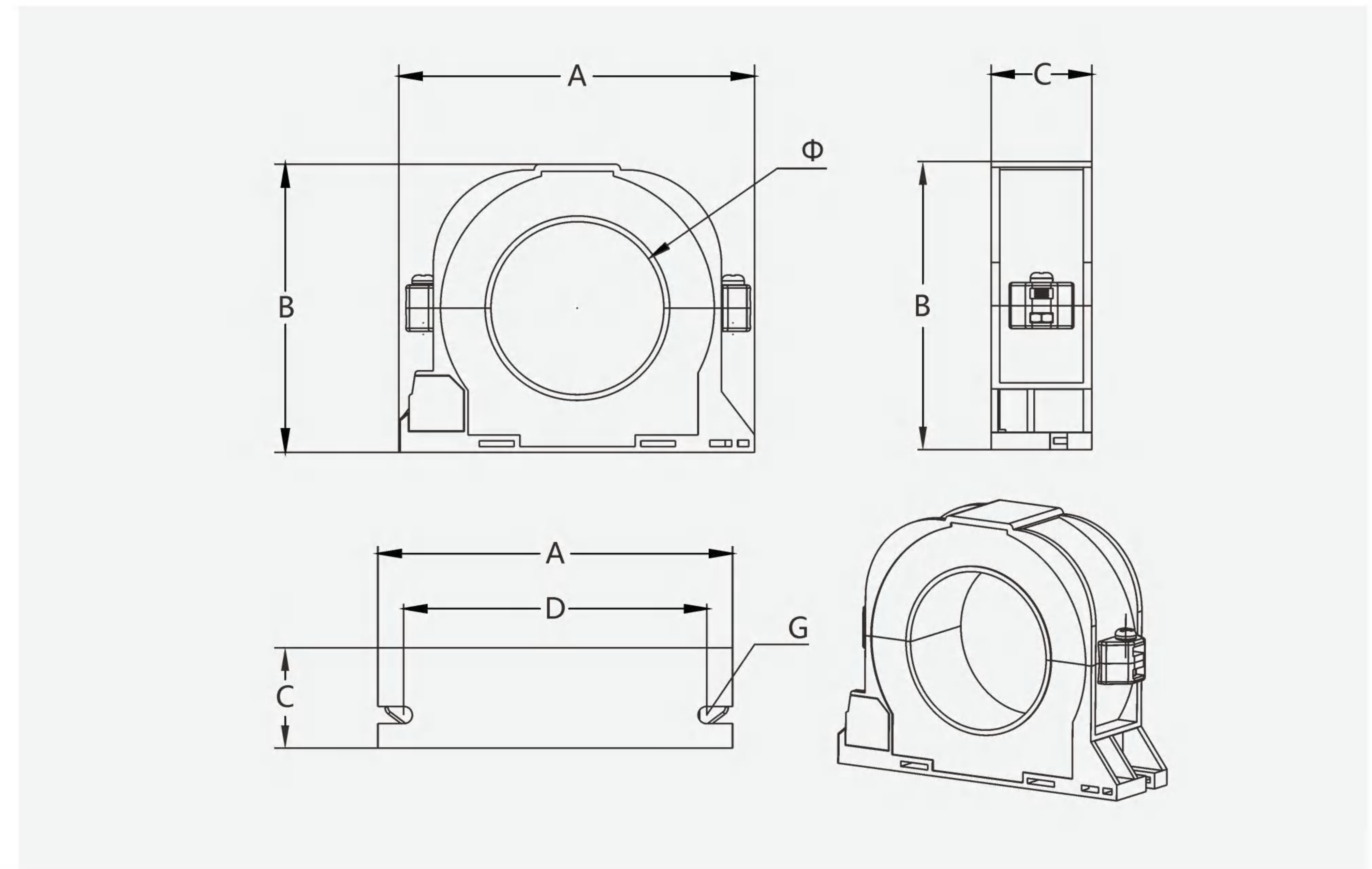
Electrical fire monitoring, fire prevention and leakage system, intelligent power system, small current grounding system, electromagnetic relay protection, microcomputer protection, intelligent power, environmental protection monitoring, etc.

> 性能指标 Performance index

电气参数 Electrical parameters		机械参数 Mechanical parameters	
工作频率 Working frequency	50~400Hz	外壳 Shell	ABS, 阻燃等级94-V0 ABS, Flame retardant grade 94-V0
额定输入 Rated input	10mA~5A	骨架 Skeleton	PBT
测量范围 Measuring range	10%In~130%In	铁芯 Iron core	镍钢或纳米晶 Nickel or nanocrystalline
额定输出 Rated output	0~1v(A或)0~0.5mA	内部结构 Internal structure	环保型环氧树脂浇注 Environment friendly epoxy resin casting
比值差 Ratio difference	≤ ± 0.1%	施工方案 Construction plan	螺丝固定 Screw fixation
相位差 Phase difference	≤ ± 10分	工作温度 Working temperature	-12℃~ +45℃
介质强度 Dielectric strength	2.5KV/1mA/1min	环境湿度 Ambient humidity	≤ 85%
绝缘电阻 Insulation resistance	DC500V/1000MΩ /min	接线方式 Connection mode	端子型/屏蔽绞线1.5米 Terminal type / shielded strand 1.5m

> 外形及安装尺寸 Outline and installation dimensions

型号规格 Model and specification	额定输入(A) Rated input	额定输出 (mA/v) Rated output	精度等级 Accuracy class	外形尺寸 Dimensions(mm)					
				Φ	A	B	C	D	G
CTK1130	0~1A	0~1V (0.5mA)	0.1 0.2 0.5 1.0	30mm	87.6	67.8	28	76	M6
CTK1145				45mm	107.5	83	28	96	M6
CTK1165				65mm	127.5	105	30	113	M6
CTK1180				80mm	159.5	128	32	145.5	M6
CTK11100				100mm	188	154	32	174	M6
CTK11150				150mm	234	200	32	220	M6
CTK11200				200mm	284	252	32	270	M6



开合式圆形剩余电流互感器

OPEN-CLOSE TYPE CIRCULAR RESIDUAL CURRENT TRANSFORMER

物联网电流传感器生产商
IOT CURRENT SENSOR MANUFACTURER



专业，方能体现品质和效率
Professional, can reflect quality and efficiency

CTK 开合式圆形剩余电流互感器 OPEN-CLOSE TYPE CIRCULAR RESIDUAL CURRENT TRANSFORMER YUCHENG

> 产品概述 Product overview

圆形开合式剩余电流互感器主要用于电缆电路环境中，其结构简单、体积小、应用灵活，并根据主回路所用的电缆规格有多种穿芯孔径相对应，本系列产品穿芯孔直径从30mm~200mm，主回路电流包含了63A~2000A。本系列产品能够满足0.2级，0.5级，1级等不同精度的技术要求；同时，还可以满足新国标对平衡特性的严苛要求，不平衡电流输出值亦可以优于30mA，10mA，5mA，甚至于3mA，大大降低由主回路电流磁场干扰而引起的误报警，为设备的可靠性提供了充分的保障。优异先进的制作工艺。保证了其准确度等级，可靠性等技术要求，本系列产品满足GB-14287.2-2005和GB14287.2-2014的要求。

Circular switching residual current transformer is mainly used in cable circuit environment. It has simple structure, small volume and flexible application. According to the specifications of the cable used in the main circuit, there are a variety of through hole diameters. The through hole diameter of this series of products ranges from 30mm to 200mm, and the main circuit current includes 63A to 2000A. This series of products can meet the technical requirements of grade 0.2, grade 0.5 and grade 1; At the same time, it can also meet the strict requirements of the new national standard for balance characteristics. The unbalanced current output value can be better than 30mA, 10mA, 5mA, or even 3mA, which greatly reduces the false alarm caused by the magnetic field interference of the main circuit current and provides sufficient guarantee for the reliability of the equipment. Excellent and advanced production process. This series of products meet the requirements of gb-14287.2-2005 and GB 14287.2-2014.

> 产品特点 Product features

- ◆ 安装便捷，开合打开角度90°。
- ◆ 穿芯结构、阻燃性环氧树脂浇注、弹垫式接触面，稳定性好。
- ◆ 采用高导磁镍钢或纳米晶，线性度好、灵敏度高。
- ◆ 优异的平衡特性、并具有极强的抗电磁场干扰能力。
- ◆ Easy installation, opening and closing angle of 90°。
- ◆ Core piercing structure, flame retardant epoxy resin casting, elastic pad contact surface, good stability.
- ◆ High magnetic conductivity nickel steel or nanocrystalline, good linearity and high sensitivity.
- ◆ Excellent balance characteristics and strong anti electromagnetic interference ability.

> 应用范围 Scope of application

智慧用电系统、农网改造、电气火灾监控、防火漏电系统、小电流接地系统、电磁继电器保护、微机保护、智慧电力、环保监测等。

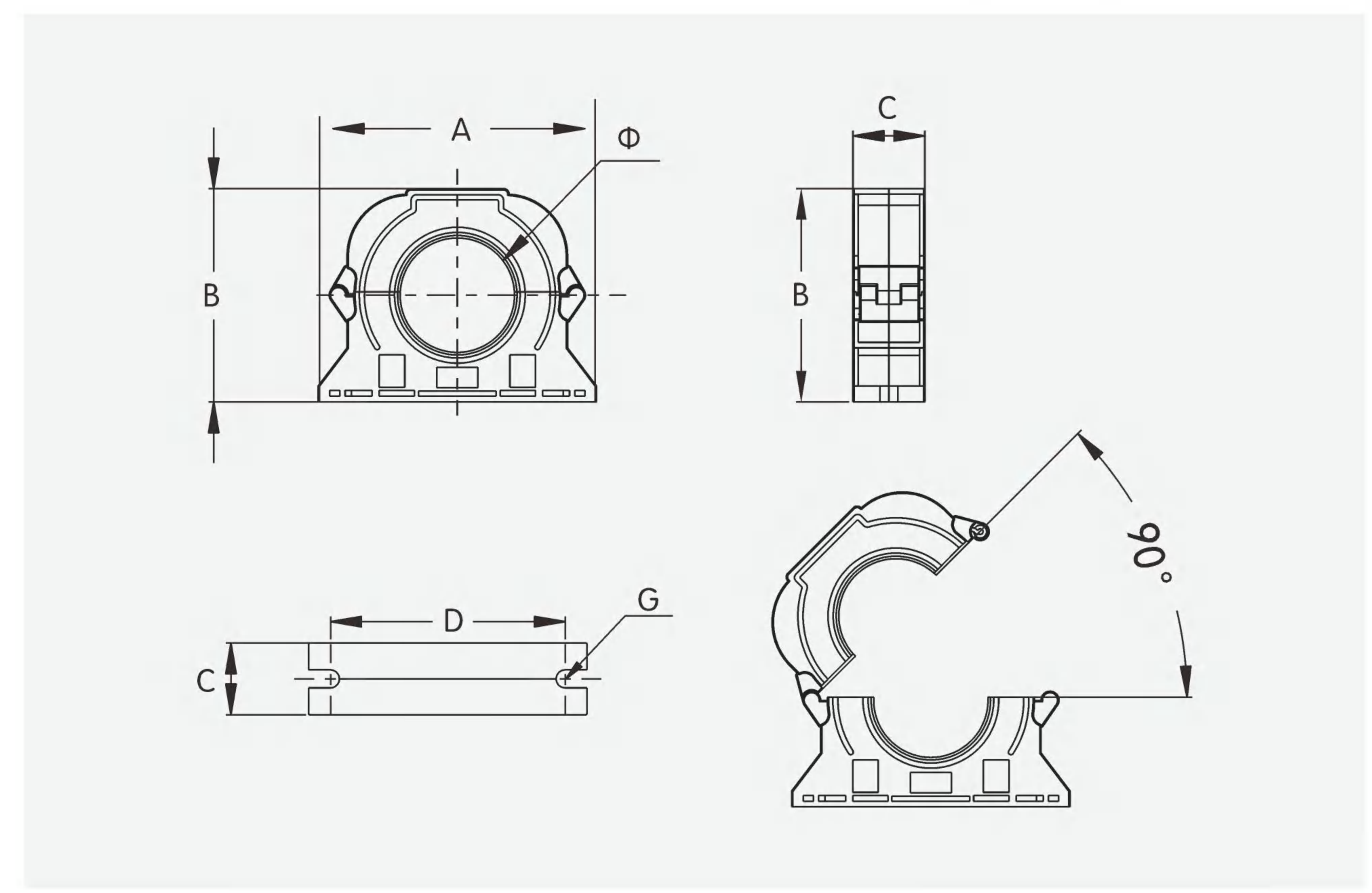
Smart power system, rural power grid transformation, electrical fire monitoring, fire leakage system, small current grounding system, electromagnetic relay protection, microcomputer protection, smart power, environmental protection monitoring, etc.

> 性能指标 Performance index

电气参数 Electrical parameters		机械参数 Mechanical parameters	
工作频率 Working frequency	50~400Hz	外壳 Shell	ABS, 阻燃等级94-V0 ABS, Flame retardant grade 94-V0
额定输入 Rated input	10mA~5A	骨架 Skeleton	PBT
测量范围 Measuring range	10%In~130%In	铁芯 Iron core	镍钢或纳米晶 Nickel or nanocrystalline
额定输出 Rated output	0~1V(A或)0~0.5mA	内部结构 Internal structure	环保型环氧树脂浇注 Environment friendly epoxy resin casting
比值差 Ratio difference	≤ ± 0.1%	施工方案 Construction plan	螺丝固定 Screw fixation
相位差 Phase difference	≤ ± 10分	工作温度 Working temperature	-12℃~ +45℃
介质强度 Dielectric strength	2.5KV/1mA/1min	环境湿度 Ambient humidity	≤ 85%
绝缘电阻 Insulation resistance	DC500V/1000MΩ /min	接线方式 Connection mode	端子型/屏蔽绞线1.5米 Terminal type / shielded strand 1.5m

> 外形及安装尺寸 Outline and installation dimensions

型号规格 Model and specification	额定输入(A) Rated input	额定输出 (mA/V) Rated output	精度等级 Accuracy class	外形尺寸 Dimensions(mm)					
				Φ	A	B	C	D	G
CTK-30	0~1A	0~1V (0.5mA)	0.2 0.5 1.0	30mm	87.5	67.5	28	76	M6
CTK-45				45mm	108.5	83.5	28	92	M6
CTK-65				65mm	129.5	105	30	110	M6
CTK-80				80mm	159.5	128	32	143	M6
CTK-100				100mm	188	154	32	178	M6
CTK-150				150mm	238	204	32	228	M6
CTK-200				200mm	288	254	32	278	M6



开合式矩形剩余电流互感器

OPEN-CLOSE TYPE RECTANGULAR RESIDUAL CURRENT TRANSFORMER

物联网电流传感器生产商
IOT CURRENT SENSOR MANUFACTURER



专业，方能体现品质和效率
Professional, can reflect quality and efficiency

> 产品概述 Product overview

矩形开合式剩余电流互感器主要用于电缆电路环境中，其结构简单、体积小、应用灵活，并根据主回路所用的电缆规格有多种穿芯孔径相对应，本系列产品穿芯孔径从110mm~400mm，主回路电流包含了63A~2000A。本系列产品能够满足0.2级、0.5级、1级等不同精度的技术要求；同时，还可以满足新国标对平衡特性的严苛要求，不平衡电流输出值亦可以优于30mA，10mA，5mA，甚至3mA，大大降低由主回路电流磁场干扰而引起的误报警，为设备的可靠性提供了充分的保障。优异先进的制作工艺流程。保证了其准确度等级，可靠性等技术要求，本系列产品满足GB-14287.2-2005和GB14287.2-2014的要求。

Rectangular open close residual current transformer is mainly used in cable circuit environment. It has simple structure, small volume and flexible application. According to the cable specifications used in the main circuit, there are various through hole diameters. The through hole diameter of this series of products ranges from 110mm to 400mm, and the main circuit current includes 63A to 2000a. This series of products can meet the technical requirements of grade 0.2, grade 0.5 and grade 1; At the same time, it can also meet the strict requirements of the new national standard for balance characteristics. The unbalanced current output value can be better than 30mA, 10mA, 5mA, or even 3mA, which greatly reduces the false alarm caused by the magnetic field interference of the main circuit current and provides sufficient guarantee for the reliability of the equipment. Excellent and advanced production process. This series of products meet the requirements of GB-14287.2-2005 and GB 14287.2-2014.

> 产品特点 Product features

- ◆ 安装便捷，开合打开角度90°。
- ◆ 穿芯结构、阻燃性环氧树脂浇注、弹垫式接触面，稳定性好。
- ◆ 采用高导磁镍钢或纳米晶，线性度好、灵敏度高。
- ◆ 优异的平衡特性、并具有极强的抗电磁场干扰能力。
- ◆ Easy installation, opening and closing angle of 90°。
- ◆ Core piercing structure, flame retardant epoxy resin casting, elastic pad contact surface, good stability.
- ◆ High magnetic conductivity nickel steel or nanocrystalline, good linearity and high sensitivity.
- ◆ Excellent balance characteristics and strong anti electromagnetic interference ability.

> 应用范围 Scope of application

智慧用电系统、农网改造、电气火灾监控、防火漏电系统、小电流接地系统、电磁继电器保护、微机保护、智慧电力、环保监测等。

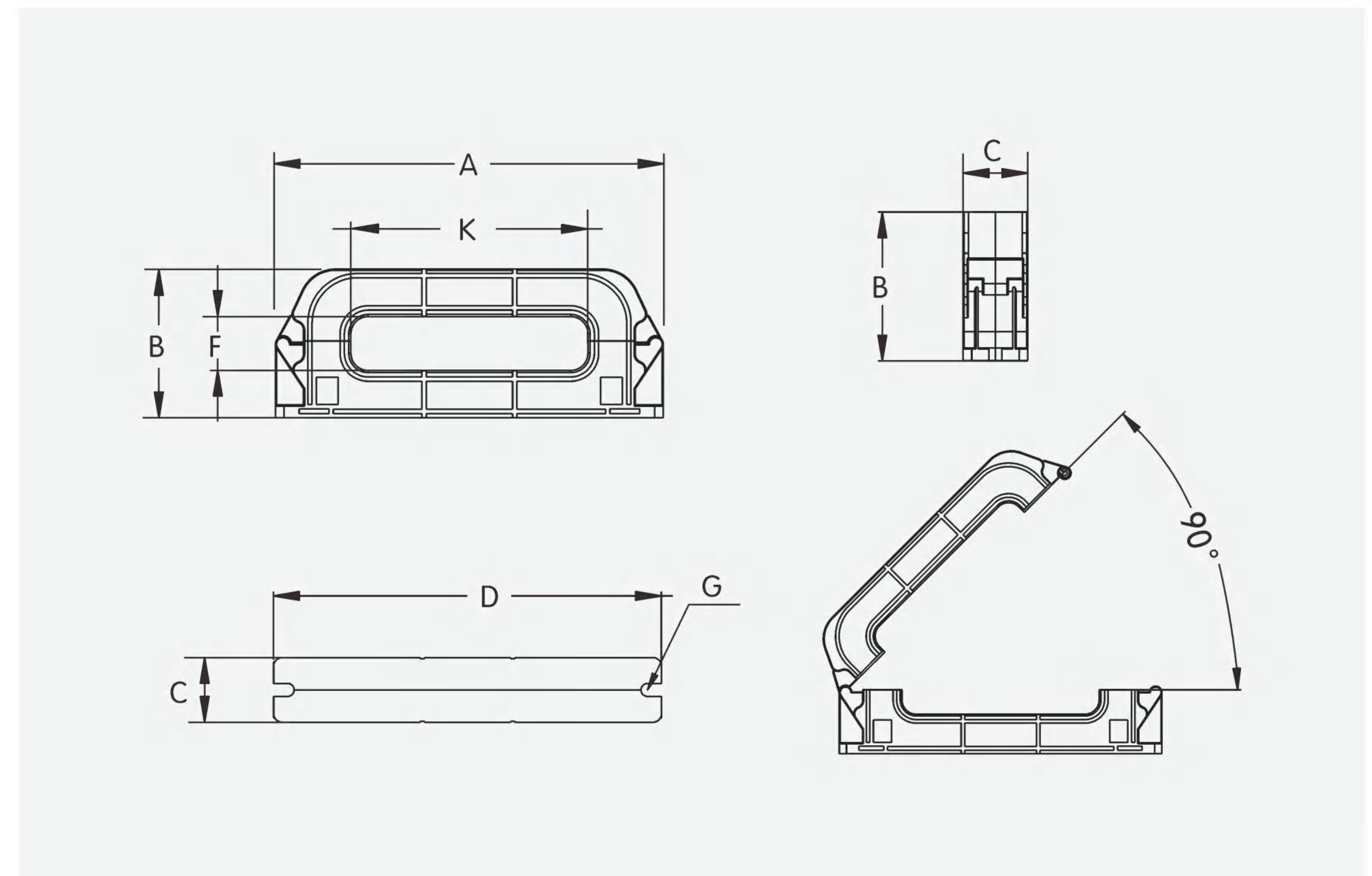
Smart power system, rural power grid transformation, electrical fire monitoring, fire leakage system, small current grounding system, electromagnetic relay protection, microcomputer protection, smart power, environmental protection monitoring, etc.

> 性能指标 Performance index

电气参数 Electrical parameters		机械参数 Mechanical parameters	
工作频率 Working frequency	50~400Hz	外壳 Shell	ABS, 阻燃等级94-V0 ABS, Flame retardant grade 94-V0
额定输入 Rated input	10mA~5A	骨架 Skeleton	PBT
测量范围 Measuring range	10%In~130%In	铁芯 Iron core	镍钢或纳米晶 Nickel or nanocrystalline
额定输出 Rated output	0~1V(A或)0~0.5mA	内部结构 Internal structure	环保型环氧树脂浇注 Environment friendly epoxy resin casting
比值差 Ratio difference	≤ ± 0.1%	施工方案 Construction plan	螺丝固定 Screw fixation
相位差 Phase difference	≤ ± 10分	工作温度 Working temperature	-12℃~ +45℃
介质强度 Dielectric strength	2.5KV/1mA/1min	环境湿度 Ambient humidity	≤ 85%
绝缘电阻 Insulation resistance	DC500V/1000MΩ /min	接线方式 Connection mode	端子型/屏蔽绞线1.5米 Terminal type / shielded strand 1.5m

> 外形及安装尺寸 Outline and installation dimensions

型号规格 Model and specification	额定输入(A) Rated input	额定输出 (mA/V) Rated output	精度等级 Accuracy class	外形尺寸 Dimensions(mm)						
				A	B	K	F	C	D	G
CTK-1125	0~1A	0~1V (0.5mA)	0.2 0.5 1.0	181	69.4	110	25	30	169	M6
CTK-1535				230	85	150	35	30	217	M6
CTK-1935				270	85	190	35	30	257	M6
CTK-2445				328	105.5	240	45	30	302	M6
CTK-3045				387	102	300	45	35	373	M6
CTK-3545				437	102	350	45	35	423	M6
CTK-4045				487	102	400	45	35	473	M6

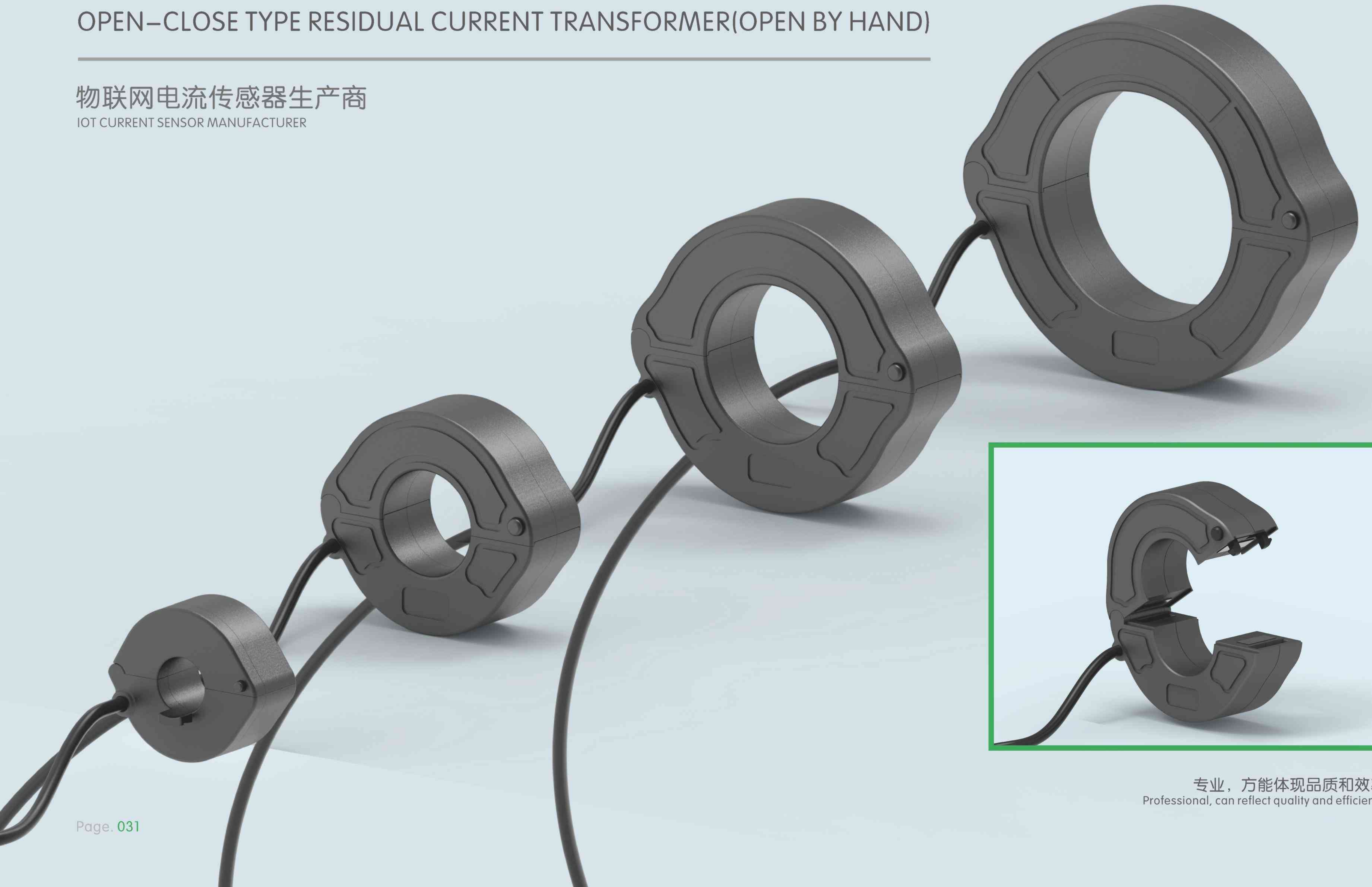


开合式剩余电流互感器(手捏式开启)

OPEN-CLOSE TYPE RESIDUAL CURRENT TRANSFORMER(OPEN BY HAND)

物联网电流传感器生产商

IOT CURRENT SENSOR MANUFACTURER



专业，方能体现品质和效率
Professional, can reflect quality and efficiency

CTK/N 开合式剩余电流互感器 OPEN-CLOSE TYPE RESIDUAL CURRENT TRANSFORMER(OPEN BY HAND) YUCHENG

> 产品概述 Product overview

圆形开合式剩余电流互感器主要用于电缆电路环境中，其结构简单、体积小、应用灵活，并根据主回路所用的电缆规格有多种穿芯孔径相对应，本系列产品穿芯孔径从20mm~65mm，主回路电流包含了63A~2000A，本系列产品能够满足0.2级，0.5级，1级等不同精度的技术要求；同时，还可以满足新国标对平衡特性的严苛要求，不平衡电流输出值亦可以优于30mA、10mA、5mA、甚至于3mA，大大降低由主回路电流磁场干扰而引起的误报警，为设备的可靠性提供了充分的保障。优异先进的制作工艺。保证了其准确度等级，可靠性等技术要求，本系列产品满足GB-14287.2-2005和GB14287.2-2014的要求。

Circular open close residual current transformer is mainly used in cable circuit environment. It has simple structure, small volume and flexible application. According to the specifications of the cable used in the main circuit, there are various through hole diameters. The through hole diameter of this series of products ranges from 20mm to 65mm, and the main circuit current contains 63A to 2000a. This series of products can meet the requirements of grade 0.2 and grade 0.5, Technical requirements of different accuracy such as grade 1; At the same time, it can also meet the strict requirements of the new national standard for the balance characteristics, and the unbalanced current output value can be better than 30mA, 10mA, 5mA, or even 3mA, which greatly reduces the false alarm caused by the magnetic field interference of the main circuit current, and provides sufficient guarantee for the reliability of the equipment. Excellent and advanced production process. This series of products meet the requirements of GB-14287.2-2005 and GB 14287.2-2014.

> 产品特点 Product features

- ◆ 安装便捷，开合打开角度70°。
- ◆ 穿芯结构、阻燃性环氧树脂浇注、弹垫式接触面，稳定性好。
- ◆ 采用高导磁镍钢或纳米晶，线性度好、灵敏度高。
- ◆ 优异的平衡特性、并具有极强的抗电磁场干扰能力。
- ◆ Easy installation, opening and closing, opening angle 70°。
- ◆ Core piercing structure, flame retardant epoxy resin casting, elastic pad contact surface, good stability.
- ◆ High magnetic conductivity nickel steel or nanocrystalline, good linearity and high sensitivity.
- ◆ Excellent balance characteristics and strong anti electromagnetic interference ability.

> 应用范围 Scope of application

智慧用电系统、农网改造、电气火灾监控、防火漏电系统、小电流接地系统、电磁继电器保护、微机保护、智慧电力、环保监测等。

Smart power system, rural power grid transformation, electrical fire monitoring, fire leakage system, small current grounding system, electromagnetic relay protection, microcomputer protection, smart power, environmental protection monitoring, etc.

> 性能指标 Performance index

电气参数 Electrical parameters		机械参数 Mechanical parameters	
工作频率 Working frequency	50~400Hz	外壳 Shell	PC/PA阻燃94-V0 PC/PA Flame retardant 94-V0
额定输入 Rated input	10mA~5A	骨架 Skeleton	PBT
测量范围 Measuring range	10%In~130%In	铁芯 Iron core	镍钢或纳米晶 Nickel or nanocrystalline
额定输出 Rated output	0~1V(A或)0~0.5mA	内部结构 Internal structure	环保型环氧树脂浇注 Environment friendly epoxy resin casting
比值差 Ratio difference	≤ ± 0.1%	施工方案 Construction plan	螺丝固定 Screw fixation
相位差 Phase difference	≤ ± 10分	工作温度 Working temperature	-12℃~ +45℃
介质强度 Dielectric strength	2.5KV/1mA/1min	环境湿度 Ambient humidity	≤ 85%
绝缘电阻 Insulation resistance	DC500V/1000MΩ /min	接线方式 Connection mode	屏蔽绞线1.5米 Shielded strand 1.5m

> 外形及安装尺寸 Outline and installation dimensions

型号规格 Model and specification	额定输入(A) Rated input	额定输出 (mA/V) Rated output	精度等级 Accuracy class	外形尺寸 Dimensions(mm)			
				Φ	A	B	C
CTK/N-16	0~1A	0~1V (0.5mA)	0.2 0.5 1.0	16mm	50.6	44	20
CTK/N-20				20mm	65	56	22
CTK/N-30				30mm	72.5	64	24
CTK/N-45				45mm	95	85	24
CTK/N-65				65mm	119	105	24

