

# 开合式户外防水互感器

OPEN-CLOSE TYPE OUTDOOR WATERPROOF TRANSFORMER

物联网电流传感器生产商

IOT CURRENT SENSOR MANUFACTURER



专业，方能体现品质和效率  
Professional, can reflect quality and efficiency

# CTHW1 开合式户外防水互感器 OPEN-CLOSE TYPE OUTDOOR WATERPROOF TRANSFORMER YUCHENG

## > 产品概述 Product overview

开合式户外防水互感器，本系列互感器最大的特点就是防水功能，可以在户外使用，他的切面端口采用橡胶垫环绕阻止雨水进入，当然市面上大多数号称防水的互感器都使用了橡胶垫这一手段，但光采用这个手段进行防水也有局限性，因为无法保证互感器机身的防水，而我公司采用了互感器一次成型的技术，就是将互感器直接在模具中做成实体，塑料毫无空隙的包裹全身，同时二次侧引线采用防水端子及护套线，保证没有一丝雨水能够进入互感器机体，经过权威机构测试，我公司互感器防水等级达到了 IP67/IP65。本产品符合标准GB20840.1.2部分要求。

Open-close type outdoor waterproof transformer. The biggest feature of this series of transformers is the waterproof function, which can be used outdoors. Its section port is surrounded by rubber pad to prevent rainwater from entering. Of course, most of the transformers on the market are called waterproof by rubber pad, but this method has limitations, Because it is impossible to guarantee the waterproof of the transformer body, our company adopts the one-step molding technology of the transformer, that is, the transformer is directly made into a solid body in the mold, and the plastic body is wrapped without gaps. At the same time, the secondary side lead adopts waterproof terminal and sheath wire to ensure that no rainwater can enter the transformer body, which has been tested by authoritative institutions, Our company transformer waterproof grade reached IP67/IP65. This product meets the requirements of GB20840.1.2.

## > 产品特点 Product features

- ◆ 产品符合标准GB20840-0.66/3KV
- ◆ 输入电流范围：0A-800A
- ◆ 环境温度：-15℃-+40℃
- ◆ 阻燃特性：符合 UL94-V0
- ◆ 湿度：80%
- ◆ 防护等级：IP67/IP65
- ◆ The product meets the standard of GB20840-0.66/3KV
- ◆ Input current range: 0A-800A
- ◆ Ambient temperature: -15℃ - +40℃
- ◆ Flame retardant: comply with UL94-V0
- ◆ Humidity: < 80%
- ◆ Protection grade: IP67/IP65

## > 应用范围 Scope of application

电气火灾监控系统，消防设备电源监控系统，智慧用电系统，智能电网，台区改造，环保检测，小电流接地系统，继电保护，电动机保护系统。

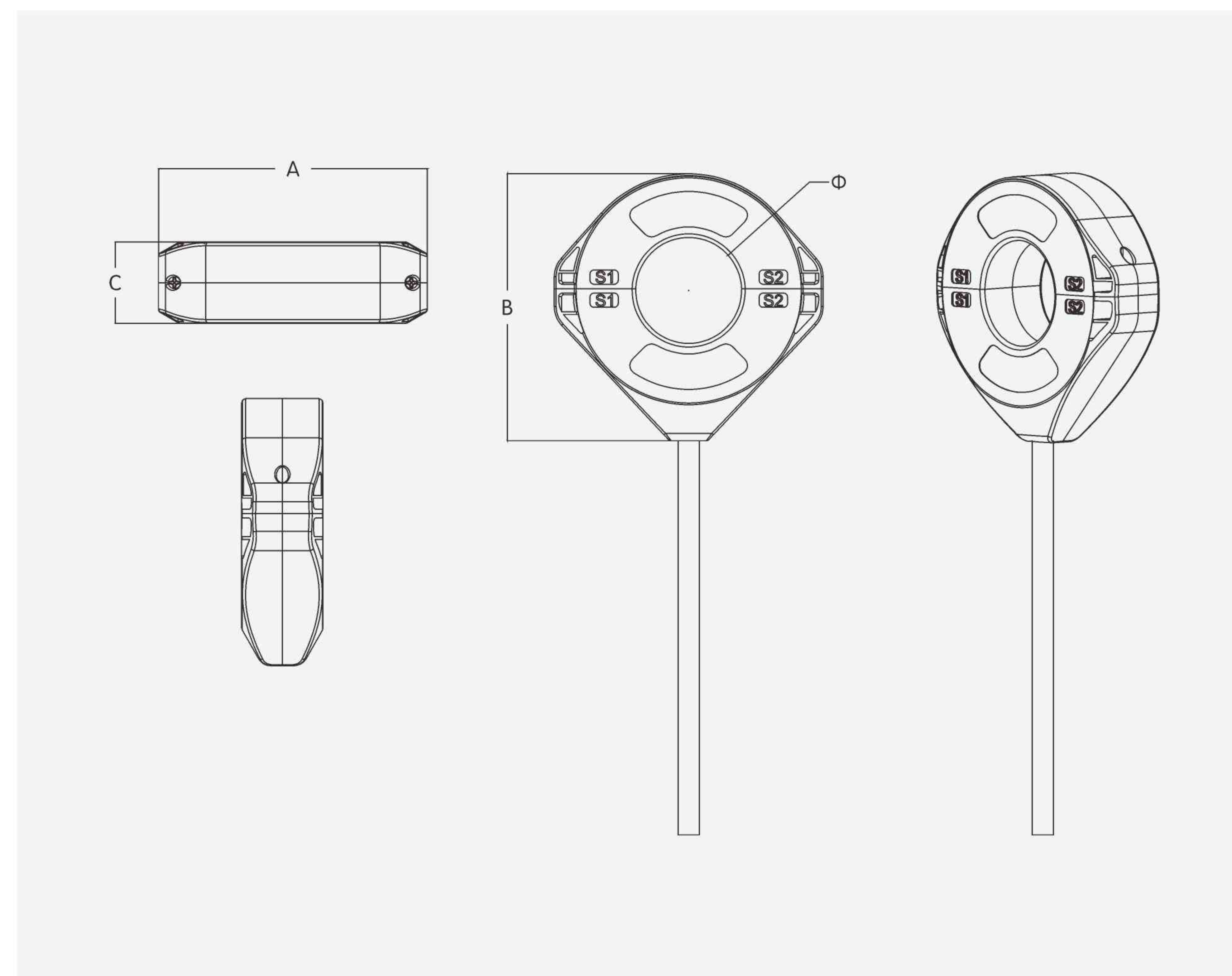
Electrical fire monitoring system, fire equipment power supply monitoring system, intelligent power system, smart grid, substation transformation, environmental protection detection, small current grounding system, relay protection, motor protection system.

## > 性能指标 Performance index

电气参数 Electrical parameters		机械参数 Mechanical parameters	
适用标准 Applicable standards	GB/T20840.1.2	外壳 Shell	PA/PC 阻燃等级94-V0 PA / PC flame retardant grade 94-V0
电压等级 Voltage level	0.4/0.66/0.69/0.72kV	铁芯 Iron core	硅钢/纳米晶/铁氧体 Silicon steel / nanocrystalline / ferrite
负荷精度 Load accuracy	5VA/2.5VA	内部结构 Internal structure	防水密封圈/穿刺针 Waterproof sealing ring / puncture needle
精度等级 Accuracy class	0.5s 0.5 1	防护等级 Protection level	IP67/IP65
额定频率 Rated frequency	50/60HZ	适用环境 Applicable environment	-40℃-70℃

## > 外形及安装尺寸 Outline and installation dimensions

型号规格 Model and specification	额定输入(A) Rated input	额定输出 (mA/v) Rated output	精度等级 Accuracy class	外形尺寸 Dimensions(mm)			
				Φ	A	B	C
CTHW1-36	0~400A	0~5A	0.5	36	118	118	40
CTHW1-60	0~800A	0~1V	1.0	60	152	150	46



# 开合式户外防水穿刺互感器

OPEN-CLOSE TYPE TYPE OUTDOOR WATERPROOF PUNCTURE TRANSFORMER

物联网电流传感器生产商

IOT CURRENT SENSOR MANUFACTURER



专业，方能体现品质和效率  
Professional, can reflect quality and efficiency

# CTHW2 开合式户外防水穿刺互感器 OPEN-CLOSE TYPE OUTDOOR WATERPROOF PUNCTURE TRANSFORMER YUCHENG

## > 产品概述 Product overview

开合式户外防水穿刺互感器，本系列互感器最大的特点就是防水功能，可以在户外使用，他的切面端口采用橡胶垫环绕阻止雨水进入，当然市面上大多数号称防水的互感器都使用了橡胶垫这一手段，但光采用这个手段进行防水也有局限性，因为无法保证互感器机身的防水，而我公司采用了互感器一次成型的技术，就是将互感器直接在模具中做成实体，塑料毫无空隙的包裹全身，同时二次侧引线采用防水端子及护套线，保证没有一丝雨水能够进入互感器机体，经过权威机构测试，我公司互感器防水等级达到了 IP67/IP65。本产品符合标准GB20840.1.2部分要求。

Open-close type outdoor waterproof puncture transformer. The biggest feature of this series of transformers is the waterproof function, which can be used outdoors. Its cut-off port is surrounded by rubber pads to prevent rainwater from entering. Of course, most of the so-called waterproof transformers in the market use rubber pads, but there are also limitations in using this method for waterproof, Because it is impossible to guarantee the waterproof of the transformer body, our company adopts the one-step molding technology of the transformer, that is, the transformer is directly made into a solid body in the mold, and the plastic body is wrapped without gaps. At the same time, the secondary side lead adopts waterproof terminal and sheath wire to ensure that no rainwater can enter the transformer body, which has been tested by authoritative institutions, Our company transformer waterproof grade reached IP67/IP65 This product meets the requirements of GB20840.1.2.

## > 产品特点 Product features

- ◆ 产品符合标准GB20840-0.66/3KV
- ◆ 输入电流范围：0A-1500A
- ◆ 环境温度：-15℃-+40℃
- ◆ 阻燃特性：符合 UL94-V0
- ◆ 湿度：80%
- ◆ 防护等级：IP67/IP65
- ◆ The product meets the standard of GB20840-0.66/3KV
- ◆ Input current range: 0A-1500A
- ◆ Ambient temperature: -15℃ - +40℃
- ◆ Flame retardant: comply with UL94-V0
- ◆ Humidity: < 80%
- ◆ Protection grade: IP67/IP65

## > 应用范围 Scope of application

电气火灾监控系统，消防设备电源监控系统，智慧用电系统，智能电网，台区改造，环保检测，小电流接地系统，继电保护，电动机保护系统。

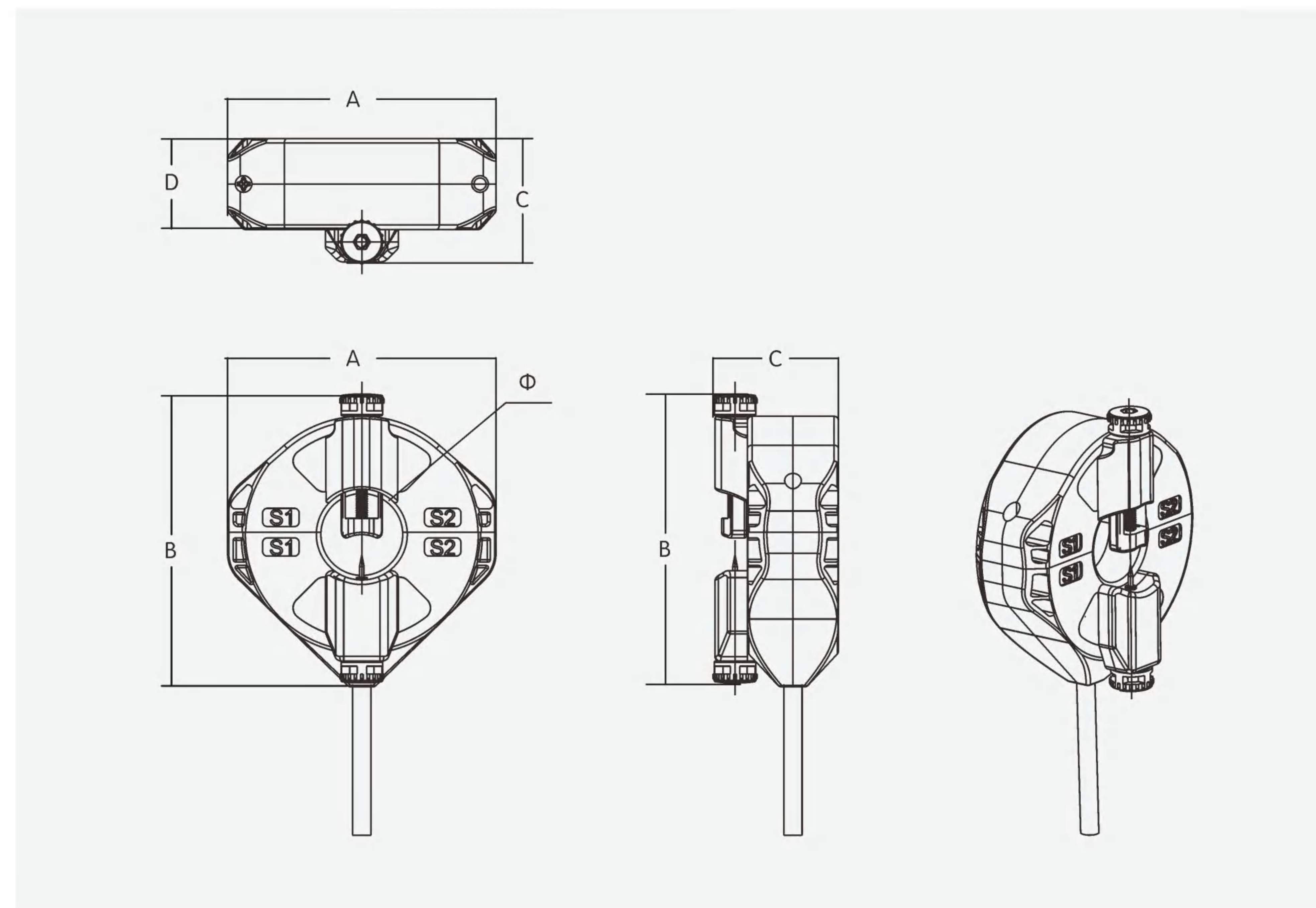
Electrical fire monitoring system, fire equipment power supply monitoring system, intelligent power system, smart grid, substation transformation, environmental protection detection, small current grounding system, relay protection, motor protection system.

## > 性能指标 Performance index

电气参数 Electrical parameters		机械参数 Mechanical parameters	
适用标准 Applicable standards	GB/T20840.1.2	外壳 Shell	PA/PC 阻燃等级94-V0 PA / PC flame retardant grade 94-V0
电压等级 Voltage level	0.4/0.66/0.69/0.72kV	铁芯 Iron core	硅钢/纳米晶/铁氧体 Silicon steel / nanocrystalline / ferrite
负荷精度 Load accuracy	5VA/2.5VA	内部结构 Internal structure	防水密封圈/穿刺针 Waterproof sealing ring / puncture needle
精度等级 Accuracy class	0.5s 0.5 1	防护等级 Protection level	IP67/IP65
额定频率 Rated frequency	50/60HZ	适用环境 Applicable environment	-40℃-70℃

## > 外形及安装尺寸 Outline and installation dimensions

型号规格 Model and specification	额定输入(A) Rated input	额定输出 (mA/v) Rated output	精度等级 Accuracy class	外形尺寸 Dimensions(mm)				
				Φ	A	B	C	D
CTHW2-36	0~600A	0~5A	0.5	36	118	118	55	40
CTHW2-60	0~1500A	0~1V	1.0	60	152	150	60	46

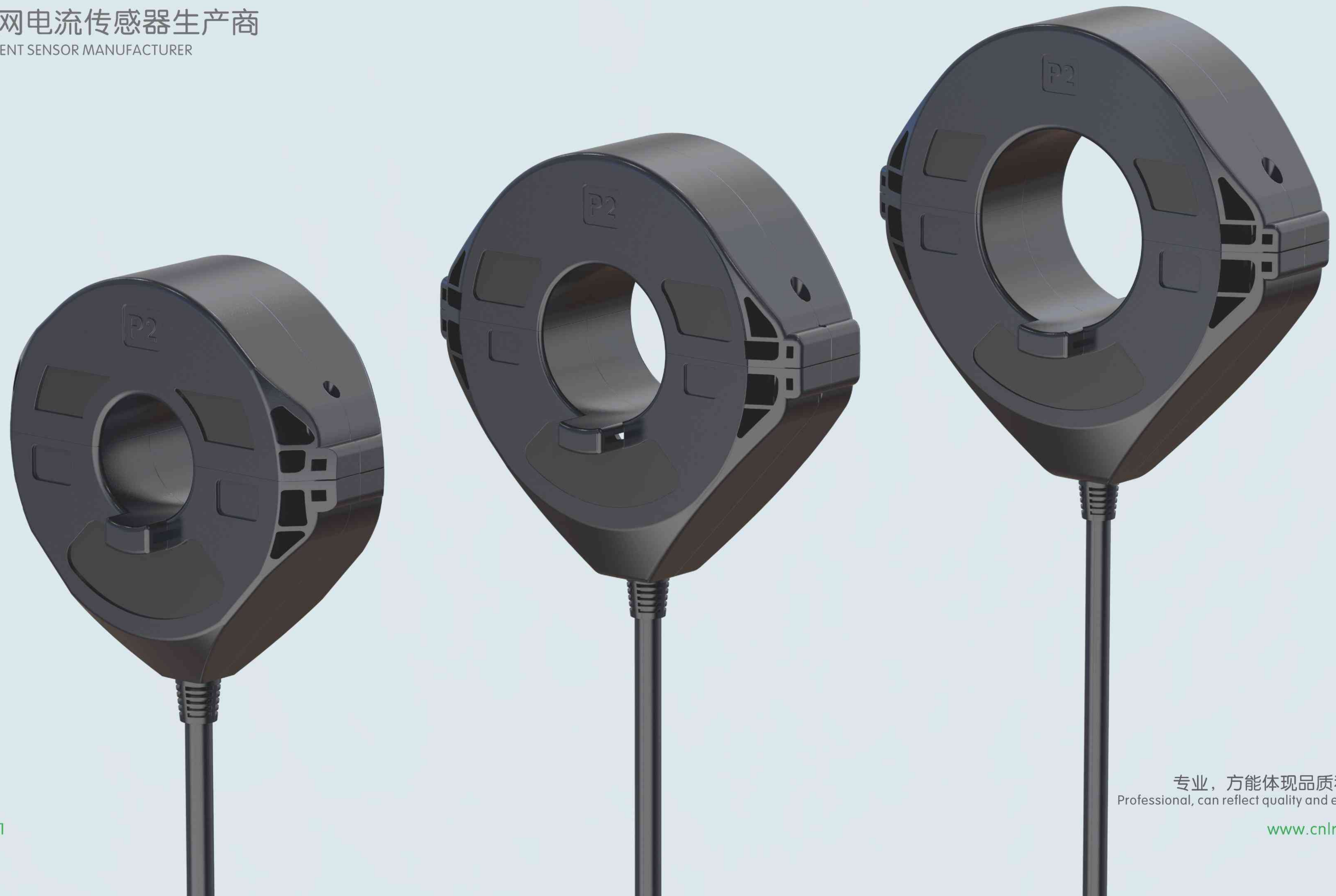


# 开合式户外电流互感器

OPEN-CLOSE TYPE OUTDOOR CURRENT TRANSFORMER

物联网电流传感器生产商

IOT CURRENT SENSOR MANUFACTURER



专业，方能体现品质和效率  
Professional, can reflect quality and efficiency

# CTHW3 开合式户外电流互感器 OPEN-CLOSE TYPE OUTDOOR CURRENT TRANSFORMER YUCHENG

## > 产品概述 Product overview

开合式户外防水互感器，本系列互感器最大的特点就是防水功能，可以在户外使用，他的切面端口采用橡胶垫环绕阻止雨水进入，当然市面上大多数号称防水的互感器都使用了橡胶垫这一手段，但光采用这个手段进行防水也有局限性，因为无法保证互感器机身的防水，而我公司采用了互感器一次成型的技术，就是将互感器直接在模具中做成实体，塑料毫无空隙的包裹全身，同时二次侧引线采用防水端子及护套线，保证没有一丝雨水能够进入互感器机体，经过权威机构测试，我公司互感器防水等级达到了 IP67/IP65。本产品符合标准GB20840.1.2部分要求。

Open-close type outdoor waterproof transformer. The biggest feature of this series of transformers is the waterproof function, which can be used outdoors. Its cut-off port is surrounded by rubber pads to prevent rainwater from entering. Of course, most of the so-called waterproof transformers in the market use rubber pads, but there are also limitations in using this method for waterproof, Because it is impossible to guarantee the waterproof of the transformer body, our company adopts the one-step molding technology of the transformer, that is, the transformer is directly made into a solid body in the mold, and the plastic body is wrapped without gaps. At the same time, the secondary side lead adopts waterproof terminal and sheath wire to ensure that no rainwater can enter the transformer body, which has been tested by authoritative institutions, Our company transformer waterproof grade reached IP67/IP65. This product meets the requirements of GB20840.1.2.

## > 产品特点 Product features

- ◆ 产品符合标准GB20840-0.66/3KV
- ◆ 输入电流范围：0A-4000A
- ◆ 环境温度：-15℃-+40℃
- ◆ 阻燃特性：符合 UL94-V0
- ◆ 湿度：80%
- ◆ 防护等级：IP67/IP65
- ◆ The product meets the standard of GB20840-0.66/3KV
- ◆ Input current range: 0A-4000A
- ◆ Ambient temperature: -15℃ - +40℃
- ◆ Flame retardant: comply with UL94-V0
- ◆ Humidity: < 80%
- ◆ Protection grade: IP67/IP65

## > 应用范围 Scope of application

电气火灾监控系统，消防设备电源监控系统，智慧用电系统，智能电网，台区改造，环保检测，小电流接地系统，继电保护，电动机保护系统。

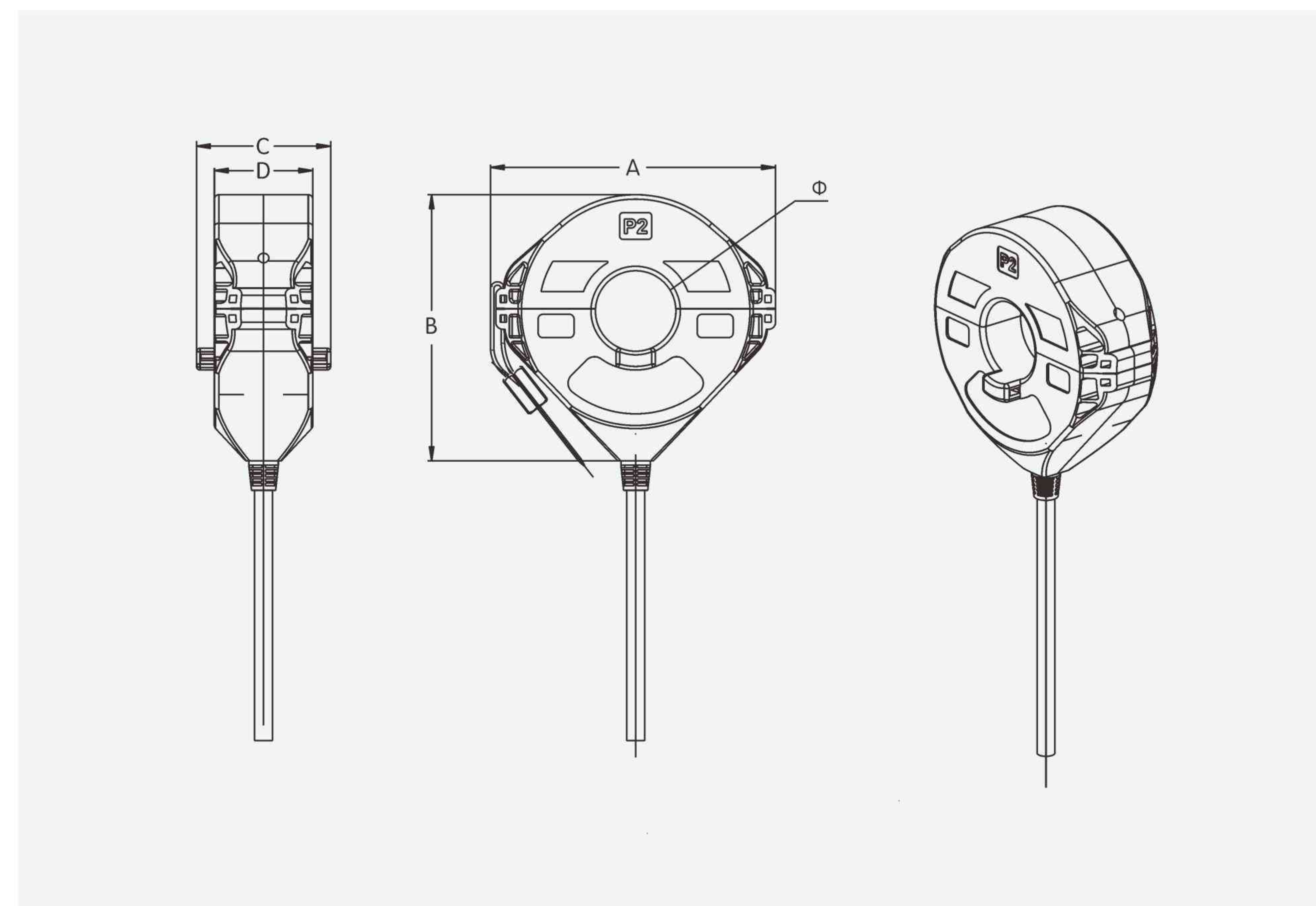
Electrical fire monitoring system, fire equipment power supply monitoring system, intelligent power system, smart grid, substation transformation, environmental protection detection, small current grounding system, relay protection, motor protection system.

## > 性能指标 Performance index

电气参数 Electrical parameters		机械参数 Mechanical parameters	
适用标准 Applicable standards	GB/T20840.1.2	外壳 Shell	PA/PC 阻燃等级94-V0 PA / PC flame retardant grade 94-V0
电压等级 Voltage level	0.4/0.66/0.69/0.72kV	铁芯 Iron core	硅钢/纳米晶/铁氧体 Silicon steel / nanocrystalline / ferrite
负荷精度 Load accuracy	5VA/2.5VA	内部结构 Internal structure	防水密封圈/穿刺针 Waterproof sealing ring / puncture needle
精度等级 Accuracy class	0.5s 0.5 1	防护等级 Protection level	IP67/IP65
额定频率 Rated frequency	50/60HZ	适用环境 Applicable environment	-40℃-70℃

## > 外形及安装尺寸 Outline and installation dimensions

型号规格 Model and specification	额定输入(A) Rated input	额定输出 (mA/v) Rated output	精度等级 Accuracy class	外形尺寸 Dimensions(mm)				
				Φ	A	B	C	D
CTHW3-45	0~800A	0~5A 0~1V	0.5 1.0	45	156	150	75	55
CTHW3-60	0~2000A			60	175	165	85	55
CTHW3-80	0~4000A			80	200	190	80	55

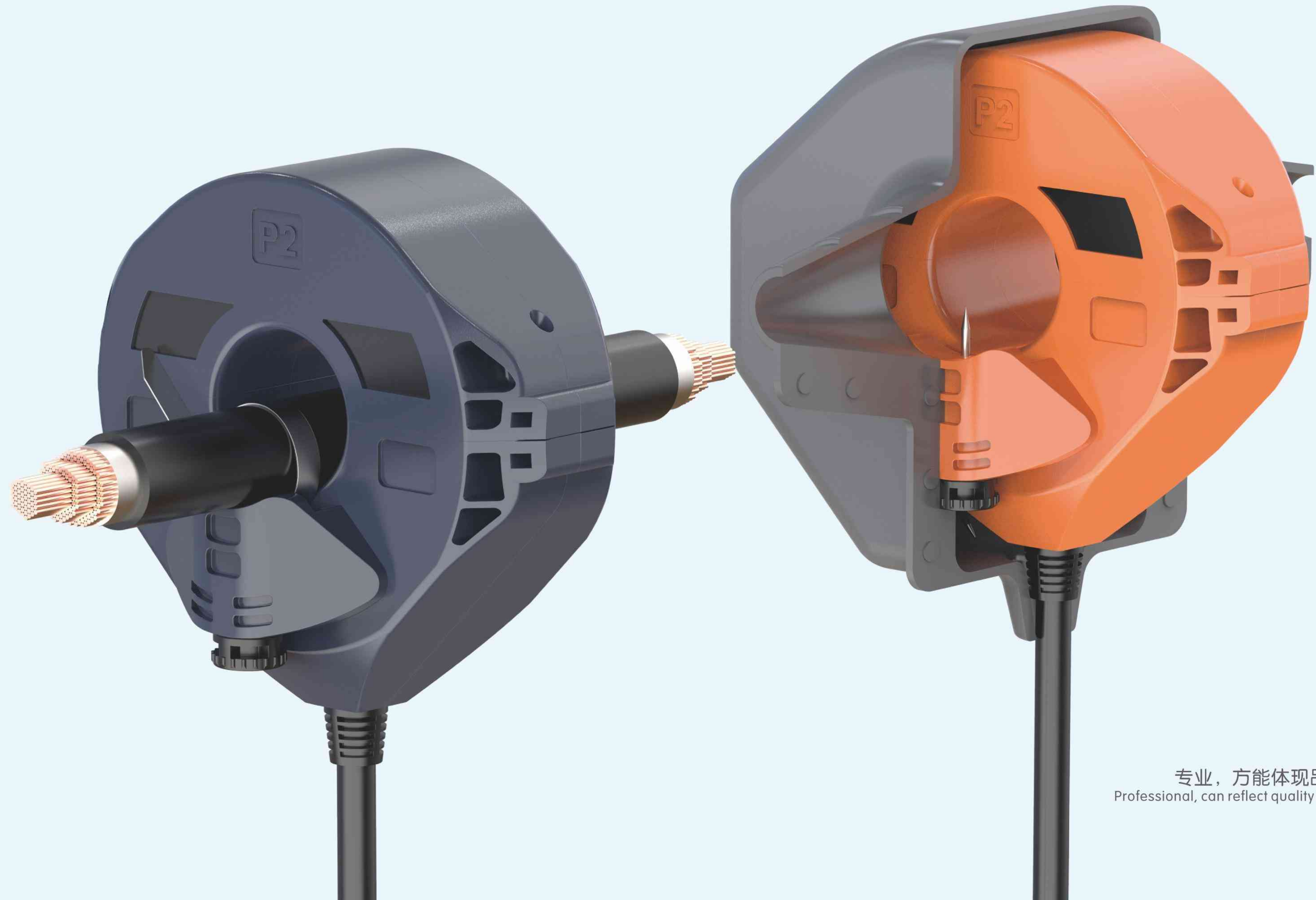


# 开合式户外防水穿刺互感器

OPEN-CLOSE TYPE OUTDOOR WATERPROOF PUNCTURE TRANSFORMER

物联网电流传感器生产商

IOT CURRENT SENSOR MANUFACTURER



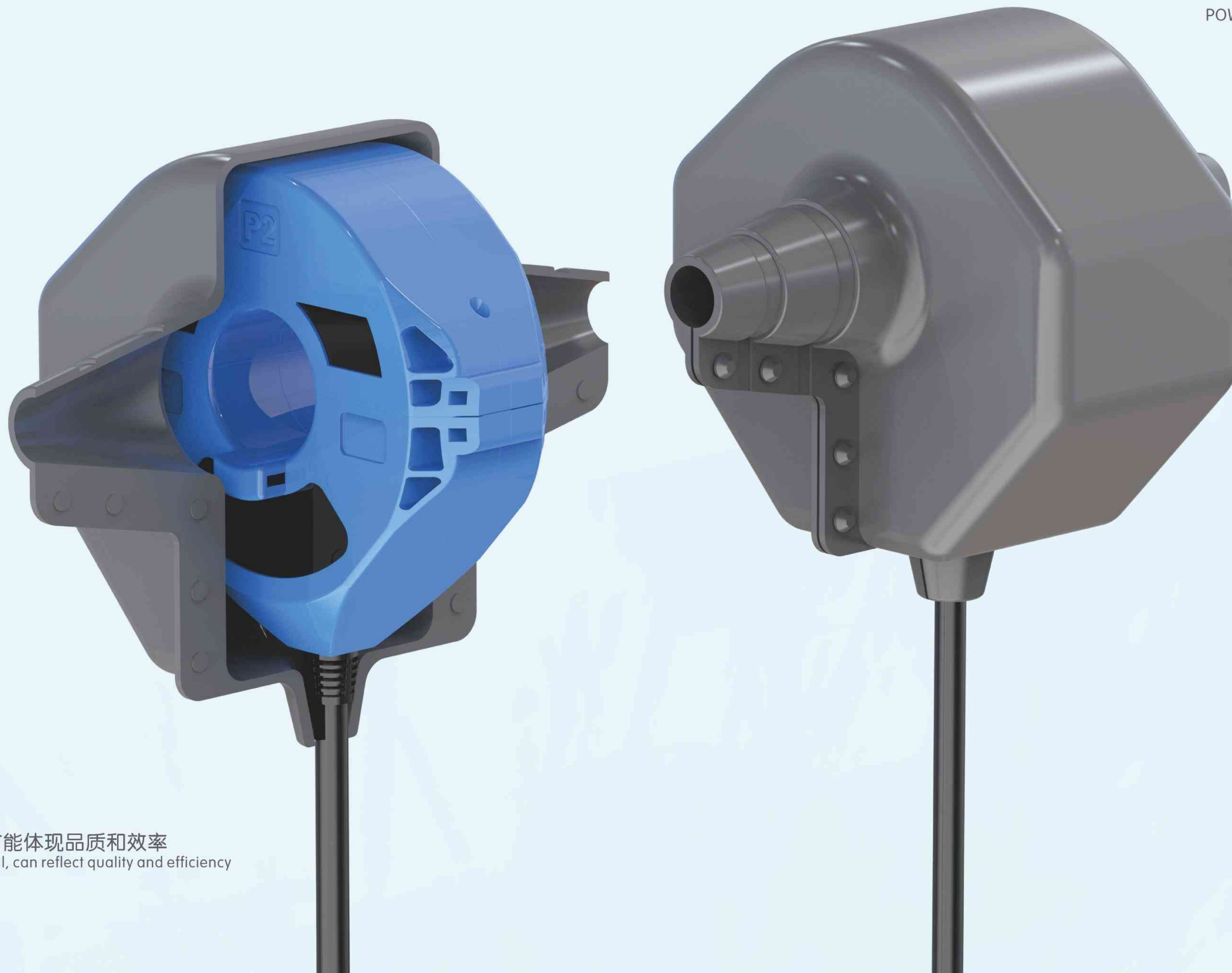
专业，方能体现品质和效率  
Professional, can reflect quality and efficiency

# 开合式户外防水穿刺互感器

OPEN-CLOSE TYPE OUTDOOR WATERPROOF PUNCTURE TRANSFORMER

电力/消防/工控自动化 便捷高效的解决方案

CONVENIENT AND EFFICIENT SOLUTION FOR  
POWER / FIRE / INDUSTRIAL CONTROL AUTOMATION



专业，方能体现品质和效率  
Professional, can reflect quality and efficiency

# 开合式户外防水穿刺互感器

OPEN-CLOSE TYPE OUTDOOR WATERPROOF PUNCTURE TRANSFORMER

物联网电流传感器生产商

IOT CURRENT SENSOR MANUFACTURER



专业，方能体现品质和效率  
Professional, can reflect quality and efficiency

# CTHW4 开合式户外防水穿刺互感器 OPEN-CLOSE TYPE OUTDOOR WATERPROOF PUNCTURE TRANSFORMER YUCHENG

## > 产品概述 Product overview

开合式户外防水穿刺互感器，本系列互感器最大的特点就是防水功能，可以在户外使用，他的切面端口采用橡胶垫环绕阻止雨水进入，当然市面上大多数号称防水的互感器都使用了橡胶垫这一手段，但光采用这个手段进行防水也有局限性，因为无法保证互感器机身的防水，而我公司采用了互感器一次成型的技术，就是将互感器直接在模具中做成实体，塑料毫无空隙的包裹全身，同时二次侧引线采用防水端子及护套线，保证没有一丝雨水能够进入互感器机体，经过权威机构测试，我公司互感器防水等级达到了 IP67/IP65。本产品符合标准GB20840.1.2部分要求。

Open-close type outdoor waterproof puncture transformer. The biggest feature of this series of transformers is the waterproof function, which can be used outdoors. Its cut-off port is surrounded by rubber pads to prevent rainwater from entering. Of course, most of the so-called waterproof transformers in the market use rubber pads, but there are also limitations in using this method for waterproof, Because it is impossible to guarantee the waterproof of the transformer body, our company adopts the one-step molding technology of the transformer, that is, the transformer is directly made into a solid body in the mold, and the plastic body is wrapped without gaps. At the same time, the secondary side lead adopts waterproof terminal and sheath wire to ensure that no rainwater can enter the transformer body, which has been tested by authoritative institutions, Our company transformer waterproof grade reached IP67/IP65. This product meets the requirements of GB20840.1.2.

## > 产品特点 Product features

- ◆ 产品符合标准GB20840-0.66/3KV
- ◆ 输入电流范围：0A-4000A
- ◆ 环境温度：-15℃-+40℃
- ◆ 阻燃特性：符合 UL94-V0
- ◆ 湿度：80%
- ◆ 防护等级：IP67/IP65
- ◆ The product meets the standard of GB20840-0.66/3KV
- ◆ Input current range: 0A-4000A
- ◆ Ambient temperature: - 15℃ - + 40℃
- ◆ Flame retardant: comply with UL94-V0
- ◆ Humidity: < 80%
- ◆ Protection grade: IP67/IP65

## > 应用范围 Scope of application

电气火灾监控系统，消防设备电源监控系统，智慧用电系统，智能电网，台区改造，环保检测，小电流接地系统，继电保护，电动机保护系统。

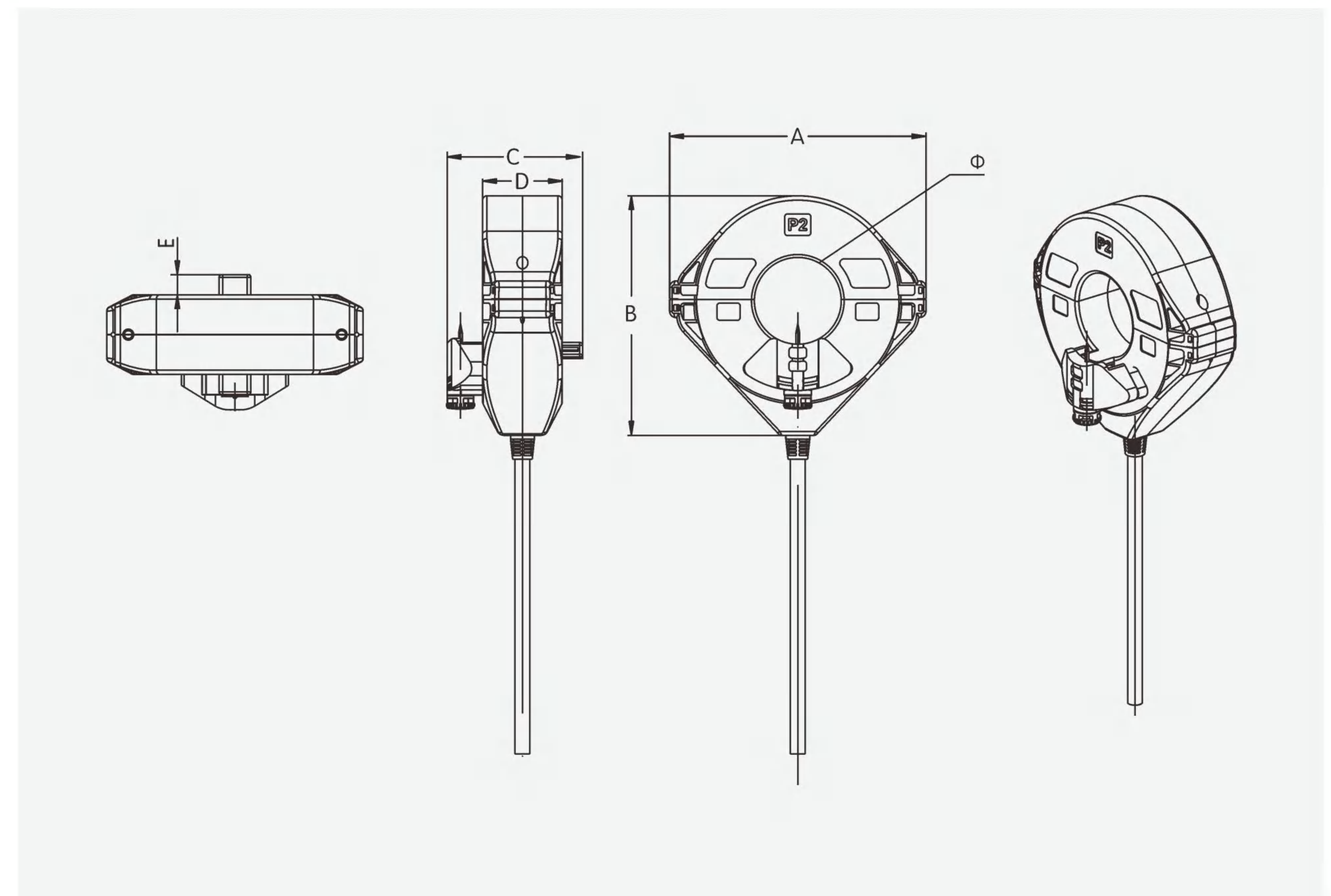
Electrical fire monitoring system, fire equipment power supply monitoring system, intelligent power system, smart grid, substation transformation, environmental protection detection, small current grounding system, relay protection, motor protection system.

## > 性能指标 Performance index

电气参数 Electrical parameters		机械参数 Mechanical parameters	
适用标准 Applicable standards	GB/T20840.1.2	外壳 Shell	PA/PC 阻燃等级94-V0 PA / PC flame retardant grade 94-V0
电压等级 Voltage level	0.4/0.66/0.69/0.72kV	铁芯 Iron core	硅钢/纳米晶/铁氧体 Silicon steel / nanocrystalline / ferrite
负荷精度 Load accuracy	5VA/2.5VA	内部结构 Internal structure	防水密封圈/穿刺针 Waterproof sealing ring / puncture needle
精度等级 Accuracy class	0.5s 0.5 1	防护等级 Protection level	IP67/IP65
额定频率 Rated frequency	50/60HZ	适用环境 Applicable environment	-40℃-70℃

## > 外形及安装尺寸 Outline and installation dimensions

型号规格 Model and specification	额定输入(A) Rated input	额定输出 (mA/v) Rated output	精度等级 Accuracy class	外形尺寸 Dimensions(mm)					
				Φ	A	B	C	D	E
CTHW4-45	0~600A	0~5A 0~1V	0.5 1.0	45	156	149	86	55	10
CTHW4-60	0~2000A			60	177	165	94	55	14
CTHW4-80	0~4000A			80	200	189	90	58	11

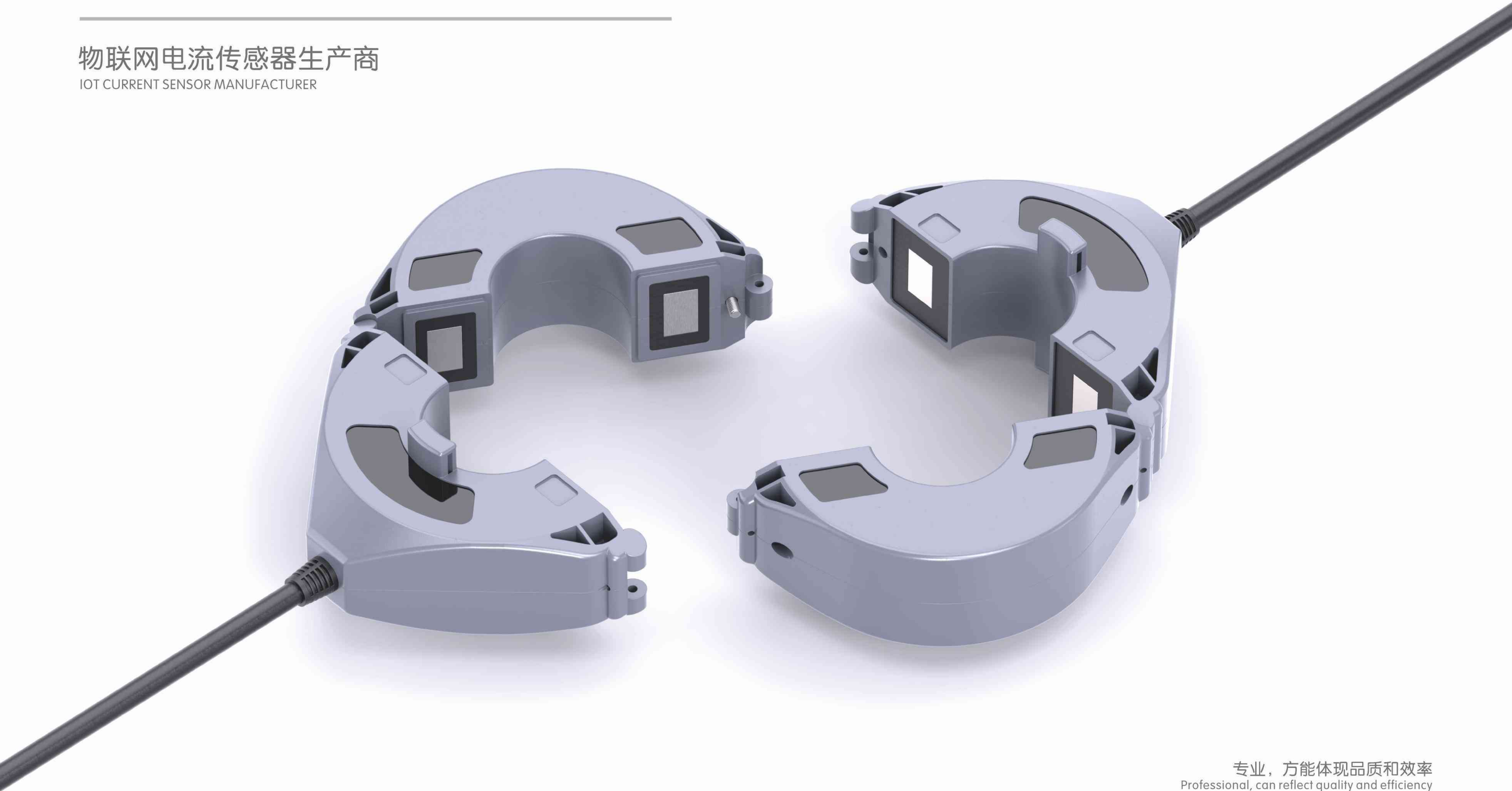


# 铰链式防水电流互感器

HINGED WATERPROOF CURRENT TRANSFORMER

物联网电流传感器生产商

IOT CURRENT SENSOR MANUFACTURER



专业，方能体现品质和效率  
Professional, can reflect quality and efficiency

# CTHW5 铰链式防水电流互感器 HINGED WATERPROOF CURRENT TRANSFORMER YUCHENG

## > 产品概述 Product overview

铰链式防水电流互感器，本系列互感器最大的特点就是防水功能，可以在户外使用，他的切面端口采用橡胶垫环绕阻止雨水进入，当然市面上大多数号称防水的互感器都使用了橡胶垫这一手段，但光采用这个手段进行防水也有局限性，因为无法保证互感器机身的防水，而我公司采用了互感器一次成型的技术，就是将互感器直接在模具中做成实体，塑料毫无空隙的包裹全身，同时二次侧引线采用防水端子及护套线，保证没有一丝雨水能够进入互感器机体，经过权威机构测试，我公司互感器防水等级达到了 IP67/IP65。本产品符合标准GB20840.1.2部分要求。

Hinged waterproof current transformer. The biggest feature of this series of transformers is the waterproof function, which can be used outdoors. Its cut-off port is surrounded by rubber pads to prevent rainwater from entering. Of course, most of the so-called waterproof transformers in the market use rubber pads, but there are also limitations in using this method for waterproof, Because it is impossible to guarantee the waterproof of the transformer body, our company adopts the one-step molding technology of the transformer, that is, the transformer is directly made into a solid body in the mold, and the plastic body is wrapped without gaps. At the same time, the secondary side lead adopts waterproof terminal and sheath wire to ensure that no rainwater can enter the transformer body, which has been tested by authoritative institutions, Our company transformer waterproof grade reached IP67/IP65. This product meets the requirements of GB20840.1.2.

## > 产品特点 Product features

- ◆ 产品符合标准GB20840-0.66/3KV
- ◆ 输入电流范围：0A-4000A
- ◆ 环境温度：-15℃-+40℃
- ◆ 阻燃特性：符合 UL94-V0
- ◆ 湿度：80%
- ◆ 防护等级：IP67/IP65
- ◆ The product meets the standard of GB20840-0.66/3KV
- ◆ Input current range: 0A-4000A
- ◆ Ambient temperature: -15℃ - +40℃
- ◆ Flame retardant: comply with UL94-V0
- ◆ Humidity: < 80%
- ◆ Protection grade: IP67/IP65

## > 应用范围 Scope of application

电气火灾监控系统，消防设备电源监控系统，智慧用电系统，智能电网，台区改造，环保检测，小电流接地系统，继电保护，电动机保护系统。

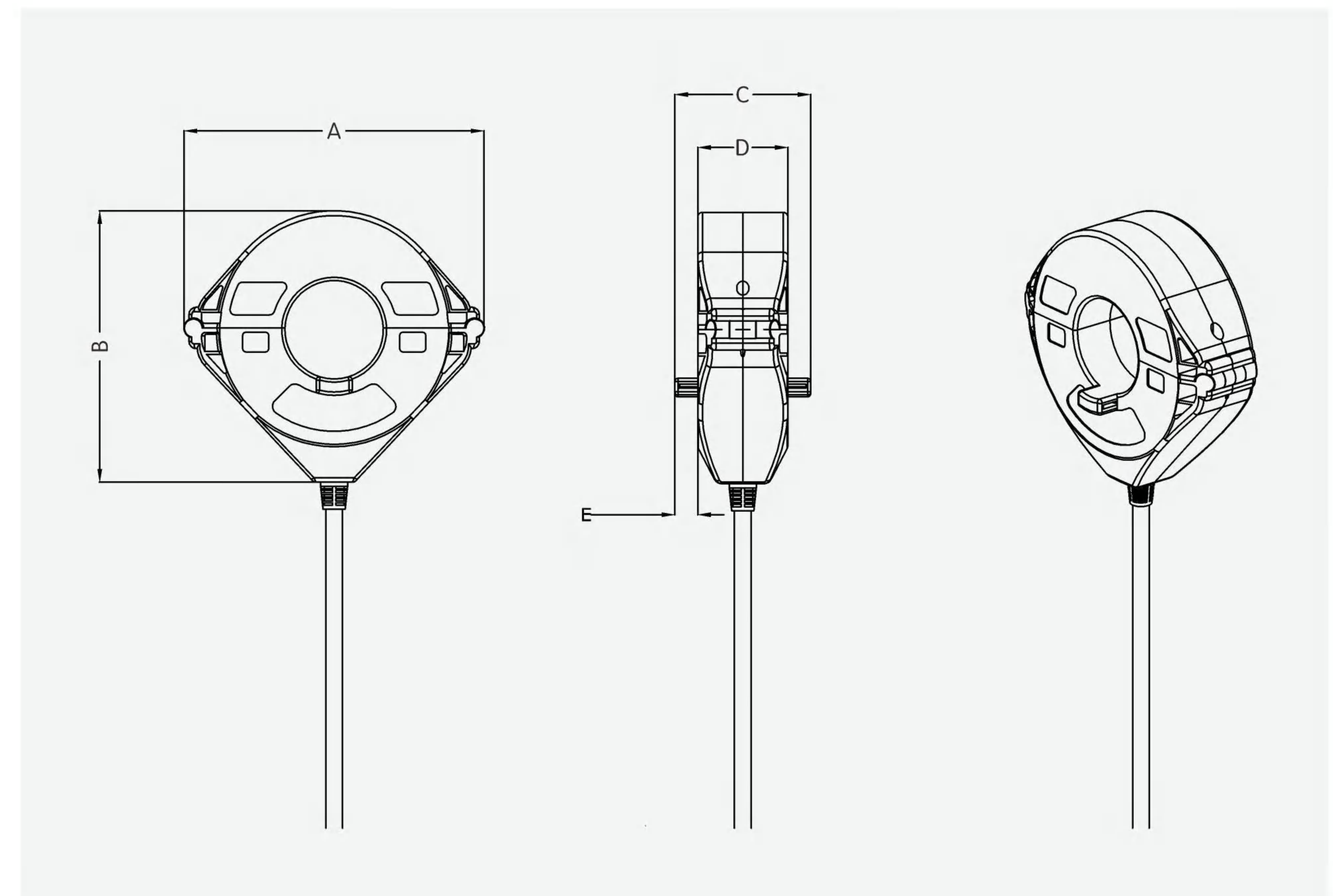
Electrical fire monitoring system, fire equipment power supply monitoring system, intelligent power system, smart grid, substation transformation, environmental protection detection, small current grounding system, relay protection, motor protection system.

## > 性能指标 Performance index

电气参数 Electrical parameters		机械参数 Mechanical parameters	
适用标准 Applicable standards	GB/T20840.1.2	外壳 Shell	PA/PC 阻燃等级94-V0 PA / PC flame retardant grade 94-V0
电压等级 Voltage level	0.4/0.66/0.69/0.72kV	铁芯 Iron core	硅钢/纳米晶/铁氧体 Silicon steel / nanocrystalline / ferrite
负荷精度 Load accuracy	5VA/2.5VA	内部结构 Internal structure	防水密封圈/穿刺针 Waterproof sealing ring / puncture needle
精度等级 Accuracy class	0.5s 0.5 1	防护等级 Protection level	IP67/IP65
额定频率 Rated frequency	50/60HZ	适用环境 Applicable environment	-40℃-70℃

## > 外形及安装尺寸 Outline and installation dimensions

型号规格 Model and specification	额定输入(A) Rated input	额定输出 (mA/v) Rated output	精度等级 Accuracy class	外形尺寸 Dimensions(mm)					
				Φ	A	B	C	D	E
CTHW5-45	0~800A	0~5A 0~1V	0.5 1.0	45	156	150	75	55	10
CTHW5-60	0~2000A			60	177	165	85	55	14
CTHW5-80	0~4000A			80	200	190	80	55	11

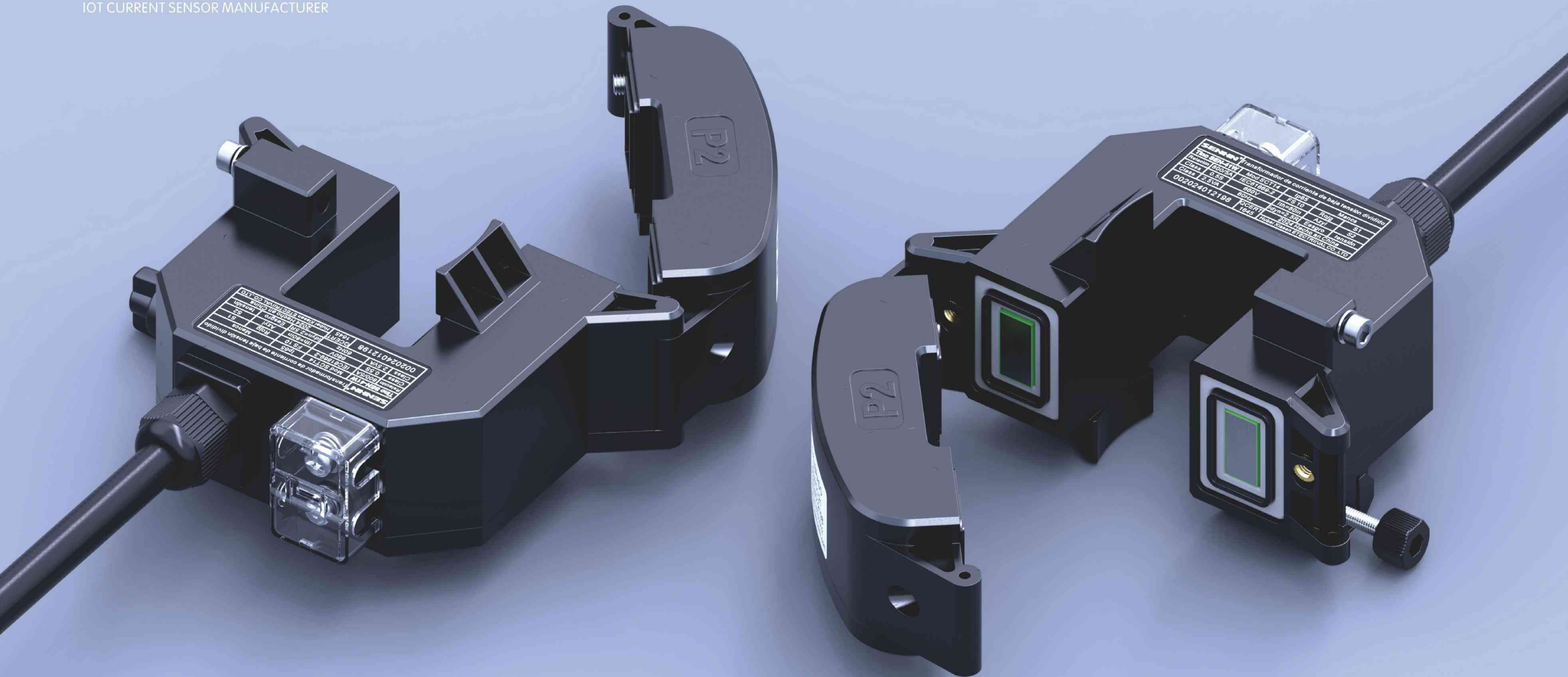


# 户外防水电流互感器

OUTDOOR WATERPROOF CURRENT TRANSFORMER

物联网电流传感器生产商

IOT CURRENT SENSOR MANUFACTURER



专业，方能体现品质和效率  
Professional, can reflect quality and efficiency

# CTHW6 户外防水电流互感器 OUTDOOR WATERPROOF CURRENT TRANSFORMER YUCHENG

## > 产品概述 Product overview

户外防水电流互感器，本系列互感器最大的特点就是防水功能，可以在户外使用，他的切面端口采用橡胶垫环绕阻止雨水进入，当然市面上大多数号称防水的互感器都使用了橡胶垫这一手段，但光采用这个手段进行防水也有局限性，因为无法保证互感器机身的防水，而我公司采用了互感器一次成型的技术，就是将互感器直接在模具中做成实体，塑料毫无空隙的包裹全身，同时二次侧引线采用防水端子及护套线，保证没有一丝雨水能够进入互感器机体，经过权威机构测试，我公司互感器防水等级达到了IP67/IP65。本产品符合标准GB20840.1.2部分要求。

Outdoor waterproof current transformer. The biggest feature of this series of transformers is the waterproof function, which can be used outdoors. Its cut-off port is surrounded by rubber pads to prevent rainwater from entering. Of course, most of the so-called waterproof transformers in the market use rubber pads, but there are also limitations in using this method for waterproof, Because it is impossible to guarantee the waterproof of the transformer body, our company adopts the one-step molding technology of the transformer, that is, the transformer is directly made into a solid body in the mold, and the plastic body is wrapped without gaps. At the same time, the secondary side lead adopts waterproof terminal and sheath wire to ensure that no rainwater can enter the transformer body, which has been tested by authoritative institutions, Our company transformer waterproof grade reached IP67/IP65. This product meets the requirements of GB20840.1.2.

## > 产品特点 Product features

- ◆ 产品符合标准GB20840-0.66/3KV
- ◆ 输入电流范围：5A-4000A
- ◆ 环境温度：-15℃-+40℃
- ◆ 阻燃特性：符合UL94-V0
- ◆ 湿度：80%
- ◆ 防护等级：IP67/IP65
- ◆ The product meets the standard of GB20840-0.66/3KV
- ◆ Input current range: 5A-4000A
- ◆ Ambient temperature: -15℃ - +40℃
- ◆ Flame retardant: comply with UL94-V0
- ◆ Humidity: < 80%
- ◆ Protection grade: IP67/IP65

## > 应用范围 Scope of application

电气火灾监控系统，消防设备电源监控系统，智慧用电系统，智能电网，台区改造，环保检测，小电流接地系统，继电保护，电动机保护系统。

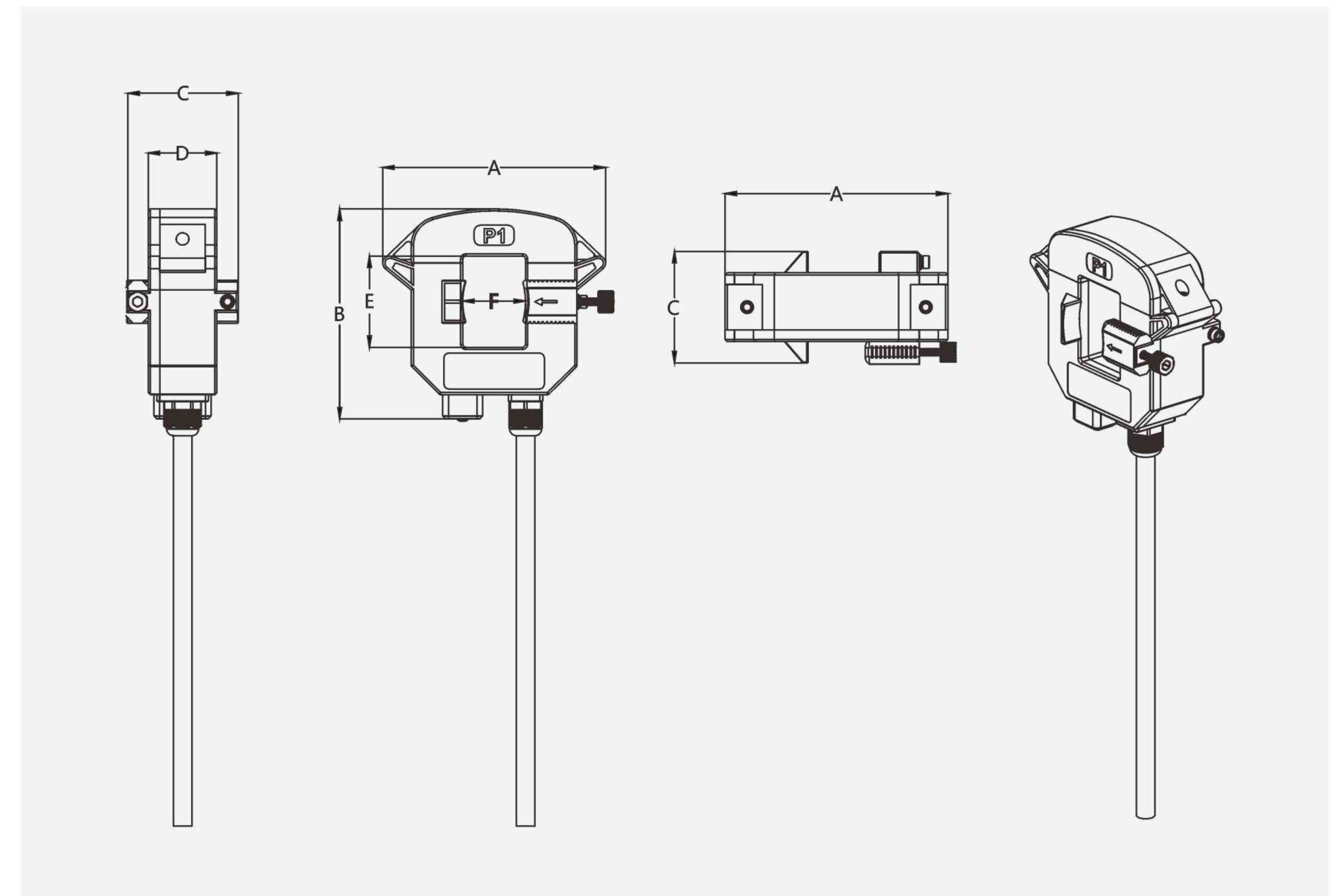
Electrical fire monitoring system, fire equipment power supply monitoring system, intelligent power system, smart grid, substation transformation, environmental protection detection, small current grounding system, relay protection, motor protection system.

## > 性能指标 Performance index

电气参数 Electrical parameters		机械参数 Mechanical parameters	
适用标准 Applicable standards	GB/T20840.1.2	外壳 Shell	PA/PC 阻燃等级94-V0 PA / PC flame retardant grade 94-V0
电压等级 Voltage level	0.4/0.66/0.69/0.72kV	铁芯 Iron core	硅钢/纳米晶/铁氧体 Silicon steel / nanocrystalline / ferrite
负荷精度 Load accuracy	5VA/2.5VA	内部结构 Internal structure	防水密封圈/穿刺针 Waterproof sealing ring / puncture needle
精度等级 Accuracy class	0.5s 0.5 1	防护等级 Protection level	IP67/IP65
额定频率 Rated frequency	50/60HZ	适用环境 Applicable environment	-40℃-70℃

## > 外形及安装尺寸 Outline and installation dimensions

型号规格 Model and specification	额定输入(A) Rated input	额定输出 (mA/v) Rated output	精度等级 Accuracy class	外形尺寸 Dimensions(mm)					
				A	B	C	D	E	F
CTHW6-46	5~800A	0~5A 0~5V	0.2 0.5S 0.5	155	130	78	48	64	34
CTHW6-510	5~2000A			165	175	78	48	104	54
CTHW6-812	5~4000A			195	200	78	48	124	54

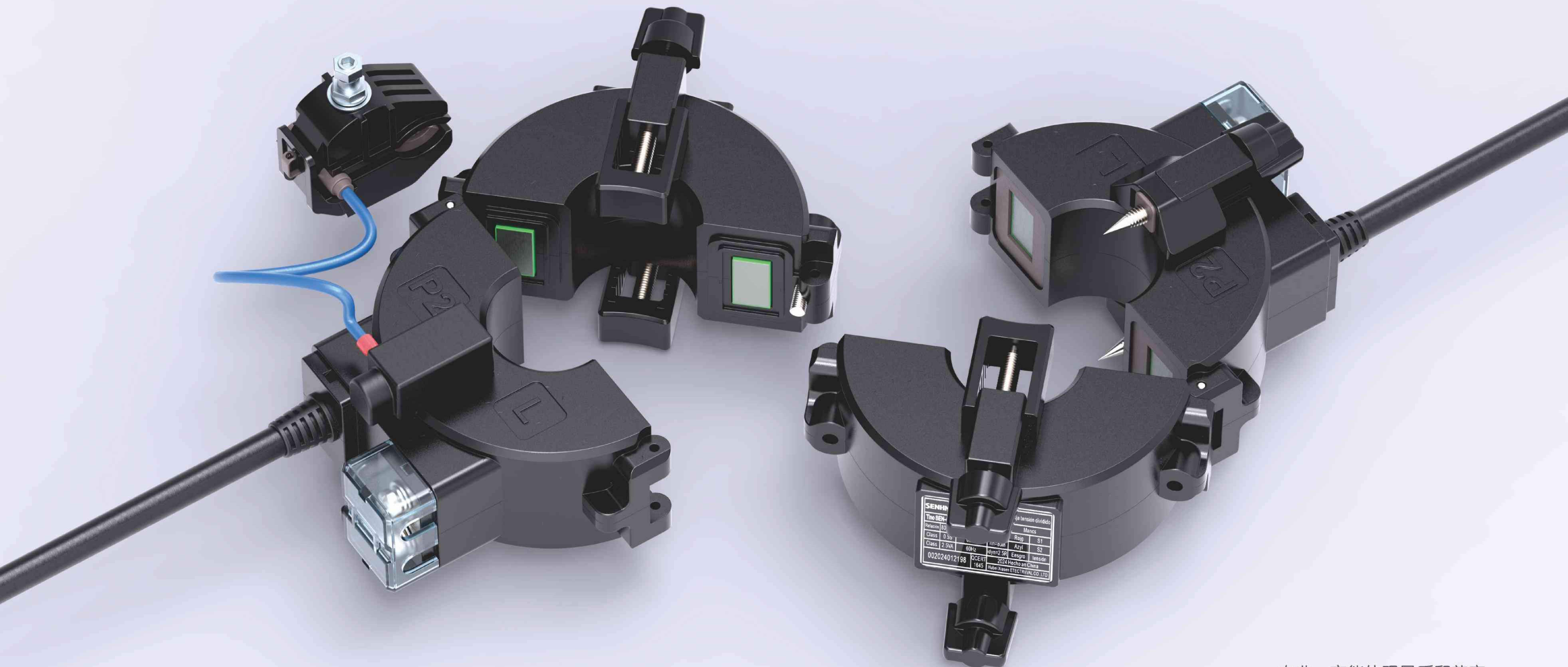


# 户外防水电流互感器

OUTDOOR WATERPROOF CURRENT TRANSFORMER

物联网电流传感器生产商

IOT CURRENT SENSOR MANUFACTURER



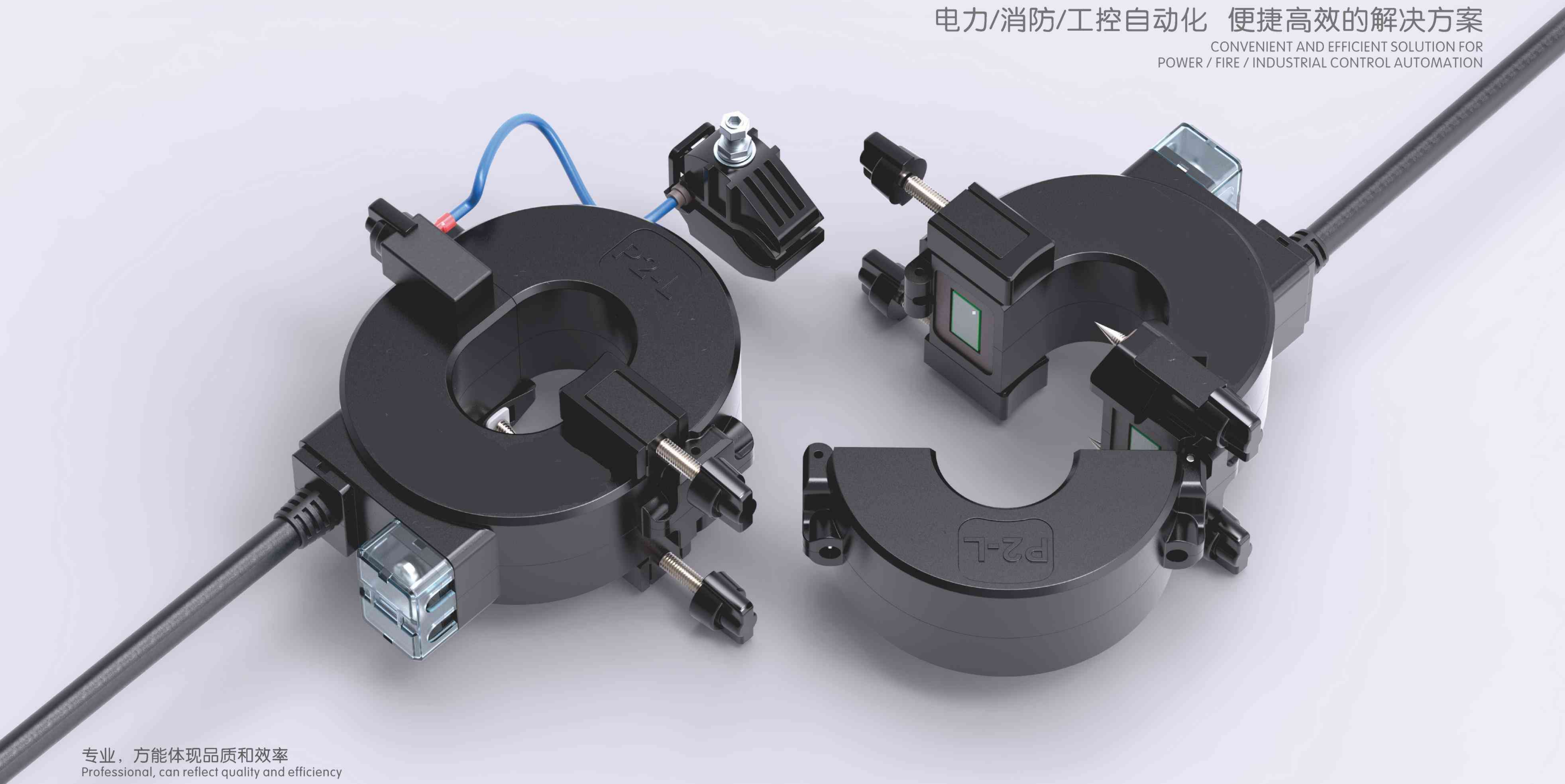
专业，方能体现品质和效率  
Professional, can reflect quality and efficiency

# 户外防水电流互感器

OUTDOOR WATERPROOF CURRENT TRANSFORMER

电力/消防/工控自动化 便捷高效的解决方案

CONVENIENT AND EFFICIENT SOLUTION FOR  
POWER / FIRE / INDUSTRIAL CONTROL AUTOMATION



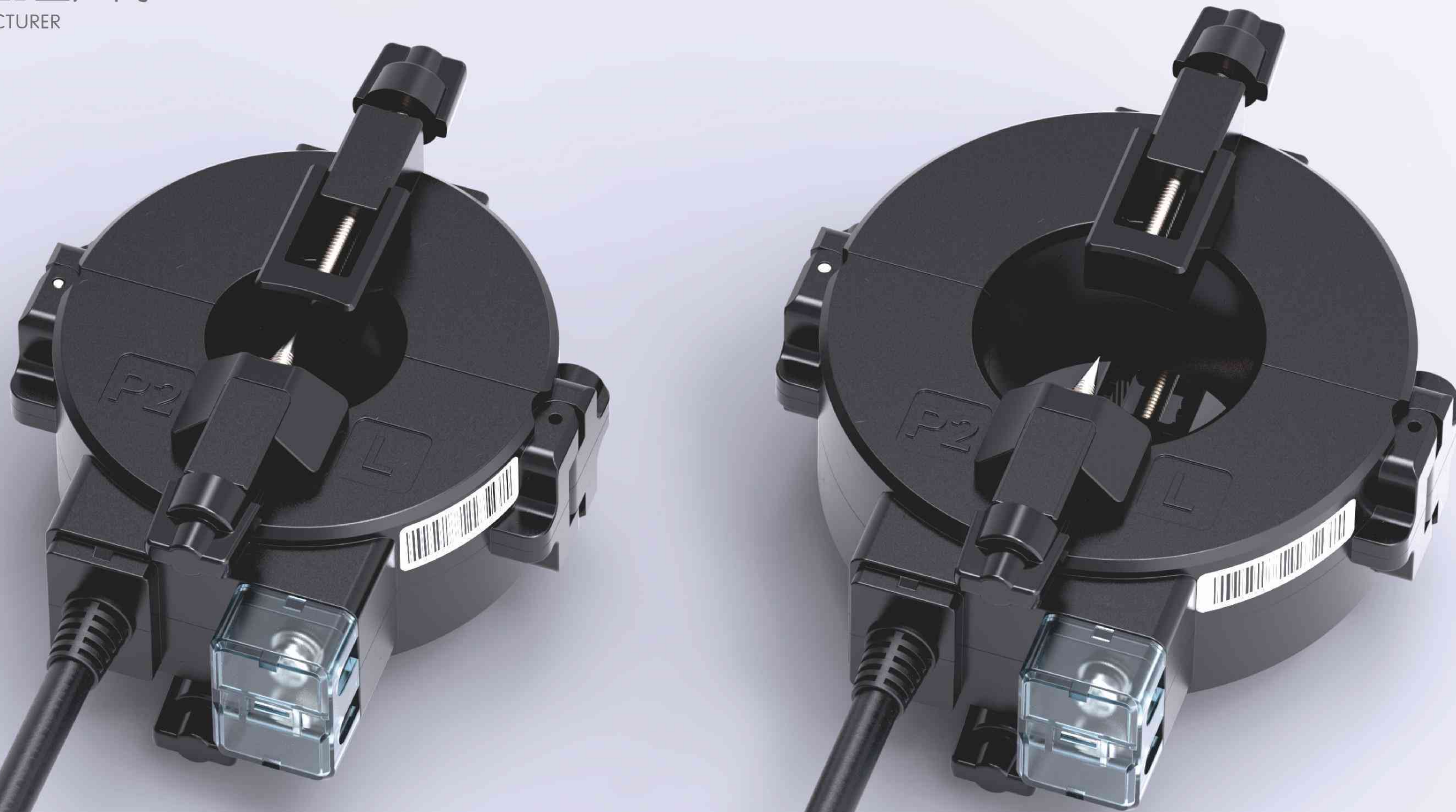
专业，方能体现品质和效率  
Professional, can reflect quality and efficiency

# 户外防水电流互感器

OUTDOOR WATERPROOF CURRENT TRANSFORMER

物联网电流传感器生产商

IOT CURRENT SENSOR MANUFACTURER



专业，方能体现品质和效率  
Professional, can reflect quality and efficiency

# CTHW8 户外防水电流互感器 OUTDOOR WATERPROOF CURRENT TRANSFORMER YUCHENG

## > 产品概述 Product overview

户外防水电流互感器，本系列互感器最大的特点就是防水功能，可以在户外使用，他的切面端口采用橡胶垫环绕阻止雨水进入，当然市面上大多数号称防水的互感器都使用了橡胶垫这一手段，但光采用这个手段进行防水也有局限性，因为无法保证互感器机身的防水，而我公司采用了互感器一次成型的技术，就是将互感器直接在模具中做成实体，塑料毫无空隙的包裹全身，同时二次侧引线采用防水端子及护套线，保证没有一丝雨水能够进入互感器机体，经过权威机构测试，我公司互感器防水等级达到了IP67/IP65。本产品符合标准GB20840.1.2部分要求。

Outdoor waterproof current transformer. The biggest feature of this series of transformers is the waterproof function, which can be used outdoors. Its cut-off port is surrounded by rubber pads to prevent rainwater from entering. Of course, most of the so-called waterproof transformers in the market use rubber pads, but there are also limitations in using this method for waterproof, Because it is impossible to guarantee the waterproof of the transformer body, our company adopts the one-step molding technology of the transformer, that is, the transformer is directly made into a solid body in the mold, and the plastic body is wrapped without gaps. At the same time, the secondary side lead adopts waterproof terminal and sheath wire to ensure that no rainwater can enter the transformer body, which has been tested by authoritative institutions, Our company transformer waterproof grade reached IP67/IP65. This product meets the requirements of GB20840.1.2.

## > 产品特点 Product features

- ◆ 产品符合标准GB20840-0.66/3KV
- ◆ 输入电流范围：5A-3000A
- ◆ 环境温度：-15℃-+40℃
- ◆ 阻燃特性：符合UL94-V0
- ◆ 湿度：80%
- ◆ 防护等级：IP67/IP65
- ◆ The product meets the standard of GB20840-0.66/3KV
- ◆ Input current range: 5A-3000A
- ◆ Ambient temperature: -15℃ - +40℃
- ◆ Flame retardant: comply with UL94-V0
- ◆ Humidity: < 80%
- ◆ Protection grade: IP67/IP65

## > 应用范围 Scope of application

电气火灾监控系统，消防设备电源监控系统，智慧用电系统，智能电网，台区改造，环保检测，小电流接地系统，继电保护，电动机保护系统。

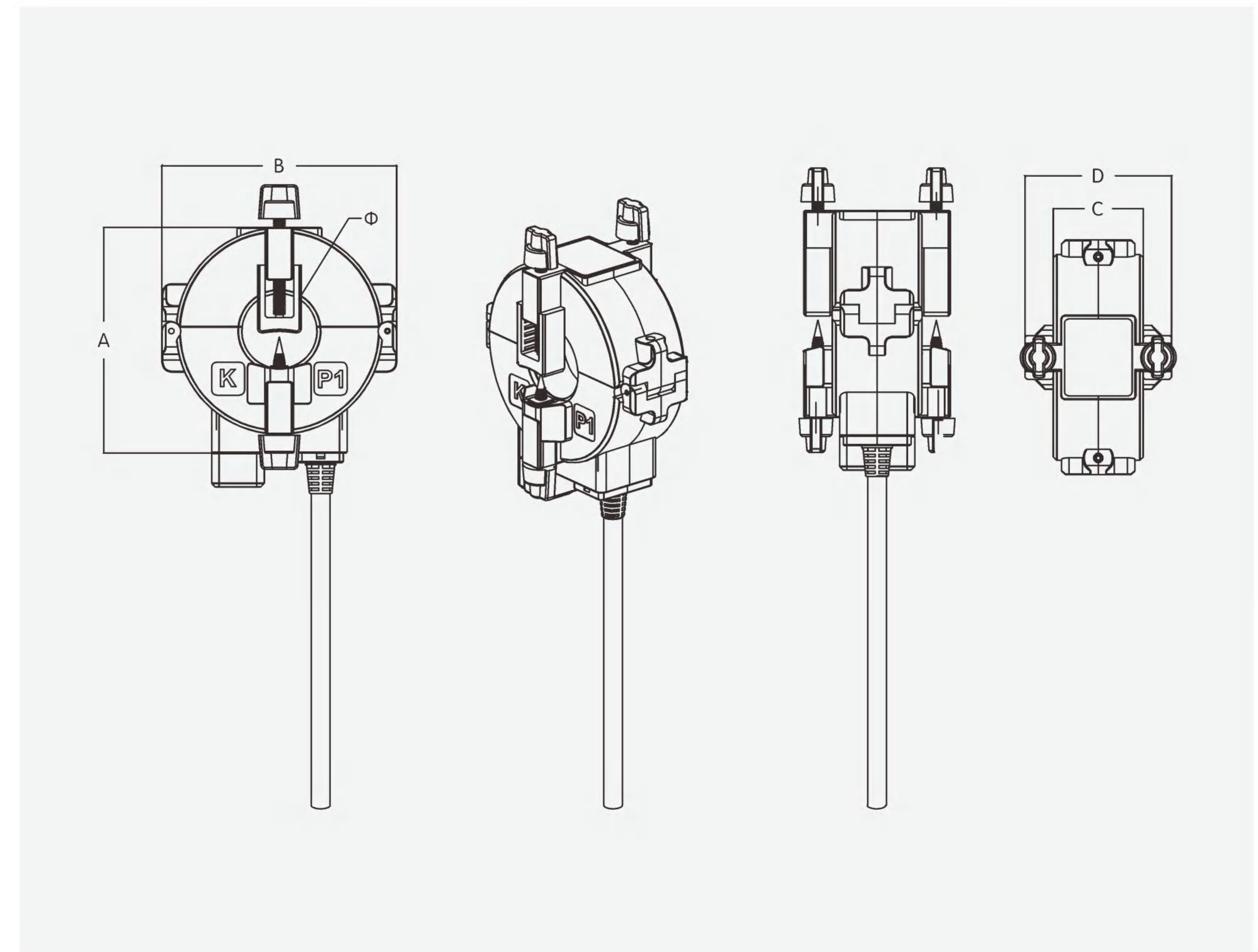
Electrical fire monitoring system, fire equipment power supply monitoring system, intelligent power system, smart grid, substation transformation, environmental protection detection, small current grounding system, relay protection, motor protection system.

## > 性能指标 Performance index

电气参数 Electrical parameters		机械参数 Mechanical parameters	
适用标准 Applicable standards	GB/T20840.1.2	外壳 Shell	PA/PC 阻燃等级94-V0 PA / PC flame retardant grade 94-V0
电压等级 Voltage level	0.4/0.66/0.69/0.72kV	铁芯 Iron core	硅钢/纳米晶/铁氧体 Silicon steel / nanocrystalline / ferrite
负荷精度 Load accuracy	5VA/2.5VA	内部结构 Internal structure	防水密封圈/穿刺针 Waterproof sealing ring / puncture needle
精度等级 Accuracy class	0.5s 0.5 1	防护等级 Protection level	IP67/IP65
额定频率 Rated frequency	50/60HZ	适用环境 Applicable environment	-40℃-70℃

## > 外形及安装尺寸 Outline and installation dimensions

型号规格 Model and specification	额定输入(A) Rated input	额定输出 (mA/v) Rated output	精度等级 Accuracy class	外形尺寸 Dimensions(mm)				
				Φ	A	B	C	D
CTHW8-40	5~1000A	0~5A	0.2 0.5S	40	120	125	48	78
CTHW8-60	5~3000A	0~5V	0.5	60	140	145	48	78

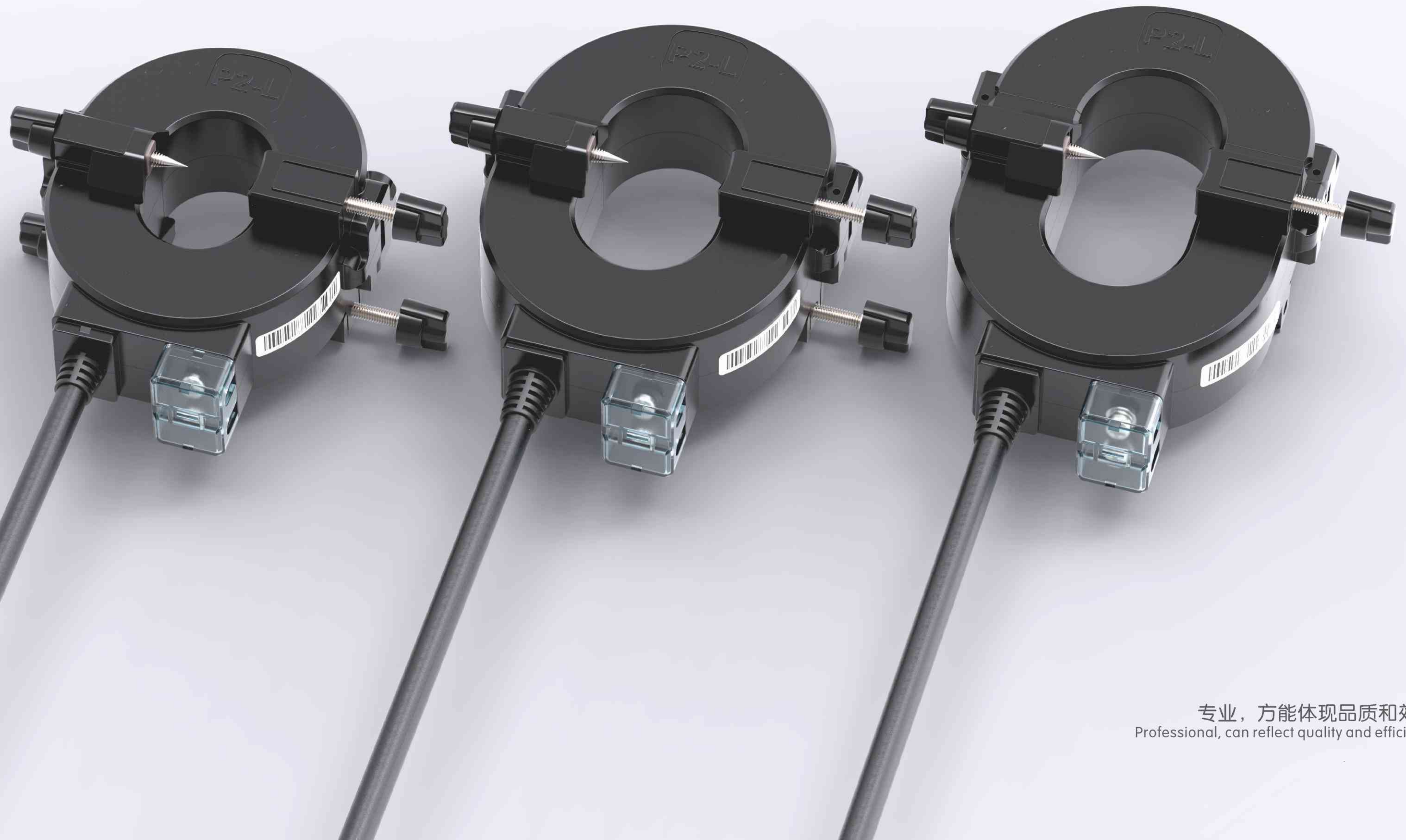


# 户外防水电流互感器

OUTDOOR WATERPROOF CURRENT TRANSFORMER

物联网电流传感器生产商

IOT CURRENT SENSOR MANUFACTURER



专业，方能体现品质和效率  
Professional, can reflect quality and efficiency

# CTHW9 户外防水电流互感器 OUTDOOR WATERPROOF CURRENT TRANSFORMER YUCHENG

## > 产品概述 Product overview

户外防水电流互感器，本系列互感器最大的特点就是防水功能，可以在户外使用，他的切面端口采用橡胶垫环绕阻止雨水进入，当然市面上大多数号称防水的互感器都使用了橡胶垫这一手段，但光采用这个手段进行防水也有局限性，因为无法保证互感器机身的防水，而我公司采用了互感器一次成型的技术，就是将互感器直接在模具中做成实体，塑料毫无空隙的包裹全身，同时二次侧引线采用防水端子及护套线，保证没有一丝雨水能够进入互感器机体，经过权威机构测试，我公司互感器防水等级达到了IP67/IP65。本产品符合标准GB20840.1.2部分要求。

Outdoor waterproof current transformer. The biggest feature of this series of transformers is the waterproof function, which can be used outdoors. Its cut-off port is surrounded by rubber pads to prevent rainwater from entering. Of course, most of the so-called waterproof transformers in the market use rubber pads, but there are also limitations in using this method for waterproof, because it is impossible to guarantee the waterproof of the transformer body, our company adopts the one-step molding technology of the transformer, that is, the transformer is directly made into a solid body in the mold, and the plastic body is wrapped without gaps. At the same time, the secondary side lead adopts waterproof terminal and sheath wire to ensure that no rainwater can enter the transformer body, which has been tested by authoritative institutions. Our company transformer waterproof grade reached IP67/IP65. This product meets the requirements of GB20840.1.2.

## > 产品特点 Product features

- ◆ 产品符合标准GB20840-0.66/3KV
- ◆ 输入电流范围：5A-4000A
- ◆ 环境温度：-15℃-+40℃
- ◆ 阻燃特性：符合UL94-V0
- ◆ 湿度：80%
- ◆ 防护等级：IP67/IP65
- ◆ The product meets the standard of GB20840-0.66/3KV
- ◆ Input current range: 5A-4000A
- ◆ Ambient temperature: -15℃ - +40℃
- ◆ Flame retardant: comply with UL94-V0
- ◆ Humidity: < 80%
- ◆ Protection grade: IP67/IP65

## > 应用范围 Scope of application

电气火灾监控系统，消防设备电源监控系统，智慧用电系统，智能电网，台区改造，环保检测，小电流接地系统，继电保护，电动机保护系统。

Electrical fire monitoring system, fire equipment power supply monitoring system, intelligent power system, smart grid, substation transformation, environmental protection detection, small current grounding system, relay protection, motor protection system.

## > 性能指标 Performance index

电气参数 Electrical parameters		机械参数 Mechanical parameters	
适用标准 Applicable standards	GB/T20840.1.2	外壳 Shell	PA/PC 阻燃等级94-V0 PA / PC flame retardant grade 94-V0
电压等级 Voltage level	0.4/0.66/0.69/0.72kV	铁芯 Iron core	硅钢/纳米晶/铁氧体 Silicon steel / nanocrystalline / ferrite
负荷精度 Load accuracy	5VA/2.5VA	内部结构 Internal structure	防水密封圈/穿刺针 Waterproof sealing ring / puncture needle
精度等级 Accuracy class	0.5s 0.5 1	防护等级 Protection level	IP67/IP65
额定频率 Rated frequency	50/60HZ	适用环境 Applicable environment	-40℃-70℃

## > 外形及安装尺寸 Outline and installation dimensions

型号规格 Model and specification	额定输入(A) Rated input	额定输出 (mA/v) Rated output	精度等级 Accuracy class	外形尺寸 Dimensions(mm)						
				Φ	A	B	C	D	E	F
CTHW9-46	5~1000A	0~5A 0~5V	0.2	142	129	48	78	64	44	R22
CTHW9-58	5~2000A		0.5S	164	139	48	78	54	84	R27
CTHW9-510	5~4000A		0.5	182	139	48	78	54	104	R27

