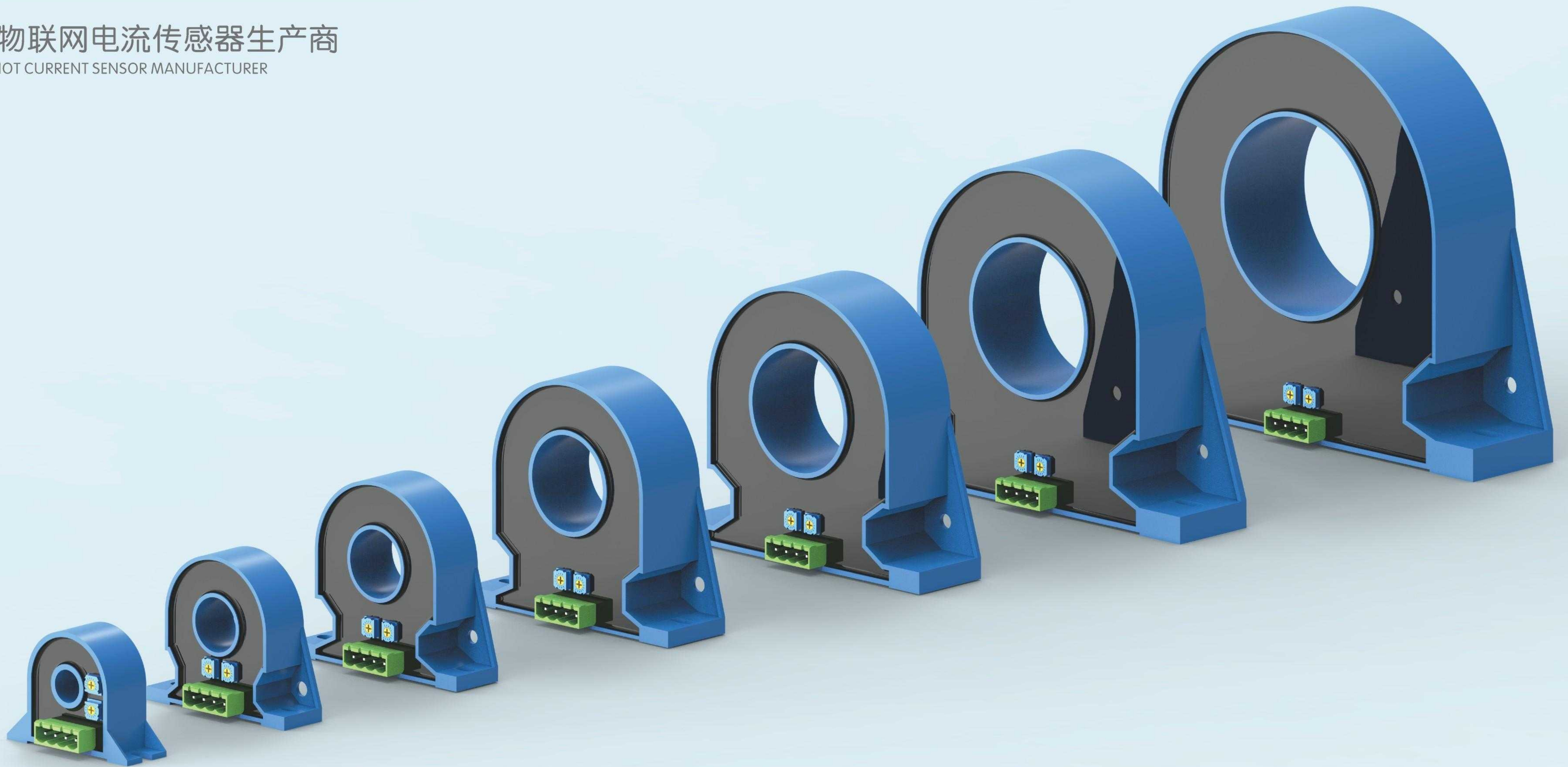


# 霍尔电流互感器

HALL CURRENT TRANSFORMER

物联网电流传感器生产商

IOT CURRENT SENSOR MANUFACTURER



专业，方能体现品质和效率  
Professional, can reflect quality and efficiency

## > 产品概述 Product overview

霍尔电流传感器主要适用于交流、直流、脉冲等复杂信号的隔离转换，通过霍尔效应原理使变换后的信号能够直接被AD、DSP、PLC、二次仪表等各种采集装置直接采集和接收，响应时间快，电流测量范围宽精度高，过载能力强，线性好，抗干扰能力强。

Hall current sensor is mainly suitable for the isolation and conversion of complex signals such as AC, DC, pulse, etc. through the Hall effect principle, the converted signal can be directly collected and accepted by various acquisition devices such as ad, DSP, PLC, secondary instrument, etc., with fast response time, wide current measurement range, high precision, strong overload capacity, good linearity and strong anti-interference ability.

## > 产品特点 Product features

- ◆ 工业级0.5%精度
- ◆ 六大全面保护功能：输入过载保护、输出过流保护、长时间短路保护、工作电源过压保护、工作电源反接保护、瞬态浪涌电流TVS保护
- ◆ 适用发电机、低压配电柜、空调、风机等负载电流的智能监控系统
- ◆ 高可靠性、高稳定性、高性价比
- ◆ Industrial grade 0.5% accuracy.
- ◆ Six comprehensive protection functions: input overload protection, output over-current protection, long-time short circuit protection, over-voltage protection of working power supply, reverse connection protection of working power supply, transient surge current TVs protection
- ◆ Intelligent monitoring system for load current of generator, low voltage distribution cabinet, air conditioner, fan, etc
- ◆ High reliability, high stability and high cost performance

## > 应用范围 Scope of application

适用于电流监控及电池应用、逆变电源及太阳能电源管理系统、直流屏及直流马达驱动、电镀、焊接应用、变频器，UPS伺服控制系统电流信号采集和反馈控制。

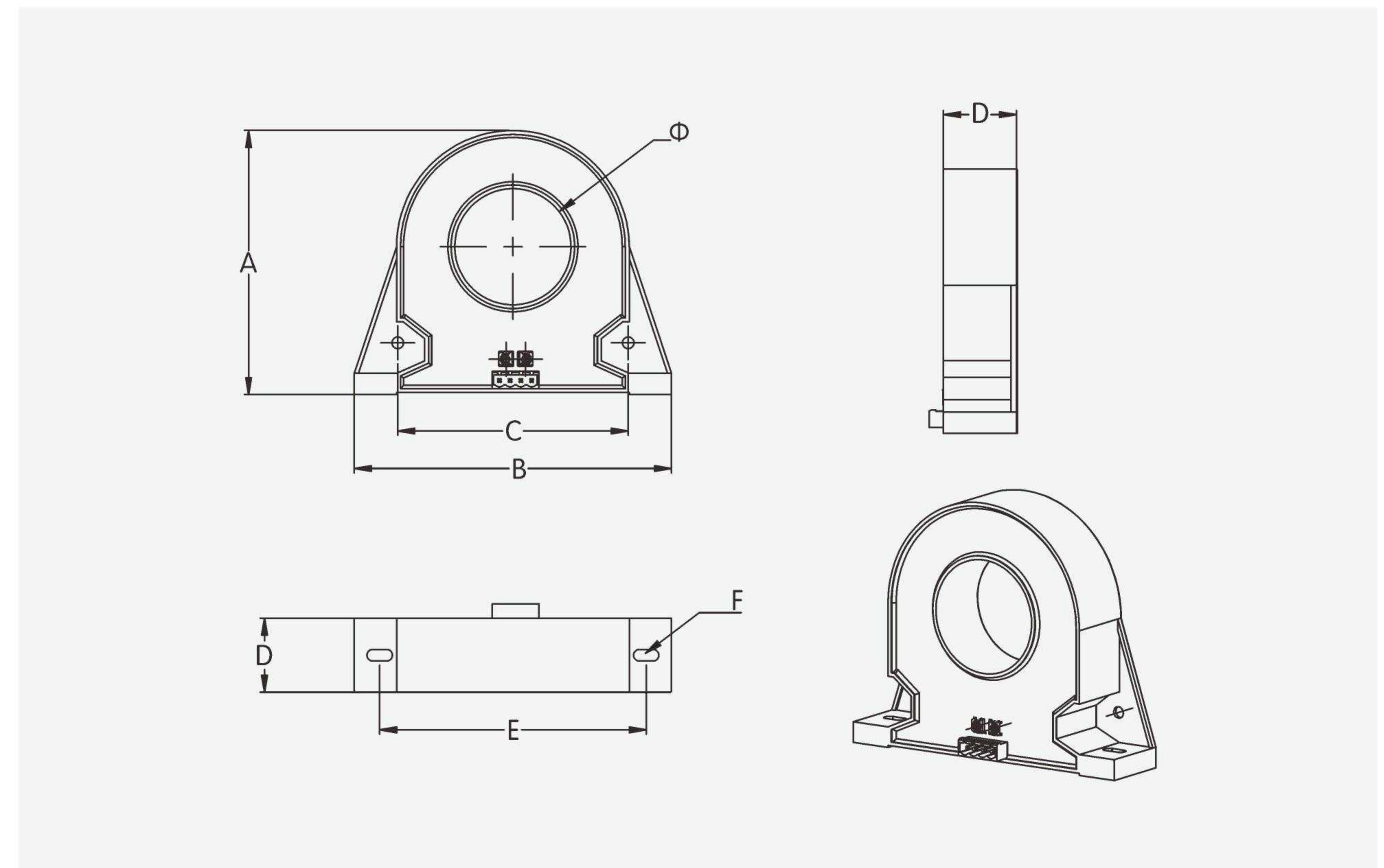
Suitable for current monitoring and battery applications, inverter and solar power management system, DC panel and DC motor drive, electroplating, welding applications, inverter, UPS servo control system current signal acquisition and feedback control.

## > 性能指标 Performance index

电气参数 Electrical parameters	
测量范围 Measuring range	0~1000A
精度 Accuracy	0.5%(其他精度可定制) (other precision can be customized)
孔径大小 Aperture size	20mm、35mm、45mm、55mm、72mm
输出信号 Output signal	DC4~20mA、DC0~20mA、0~10V、1~10V、0~5V、1~5V、0~1V、0~2V (特殊可定制 Special customizable)
负载能力 Load capacity	电压输出 Voltage output:5mA, 电流输出 Current output:6V
响应时间 Response time	200ms
隔离耐压 Isolation and withstand voltage	3KV/50Hz, 1Min
电源 Power Supply	±15V、±12V、±24V、+24V、+12V

## > 外形及安装尺寸 Outline and installation dimensions

型号规格 Model and specification	额定输入(A) Rated input	额定输出 (mA/v) Rated output	精度等级 Accuracy class	外形尺寸 Dimensions(mm)						
				Φ	A	B	C	D	E	F
HE-12	5A	DC4~20mA	0.5	12	44	59.5	40	20.8	50	7×M5
HE-20				20	58	68	50	20	54	7×M5
HE-25	50A	DC0~20mA	1.0	25	70	80	57	22	69	7×M5
HE-35	100A	0~10V		30	89	99.5	75	30	84.5	7×M5
HE-45	200A	1~10V	1.0	40	102	120	87.5	32.5	104.5	12×M5
HE-55	400A	0~5V		55	125	150	109	35	106	12×M5
HE-72	800A 1000A 2000A 3000A	1~5V 0~1V 0~2V		72	151	174	134.5	42	149	12×M5

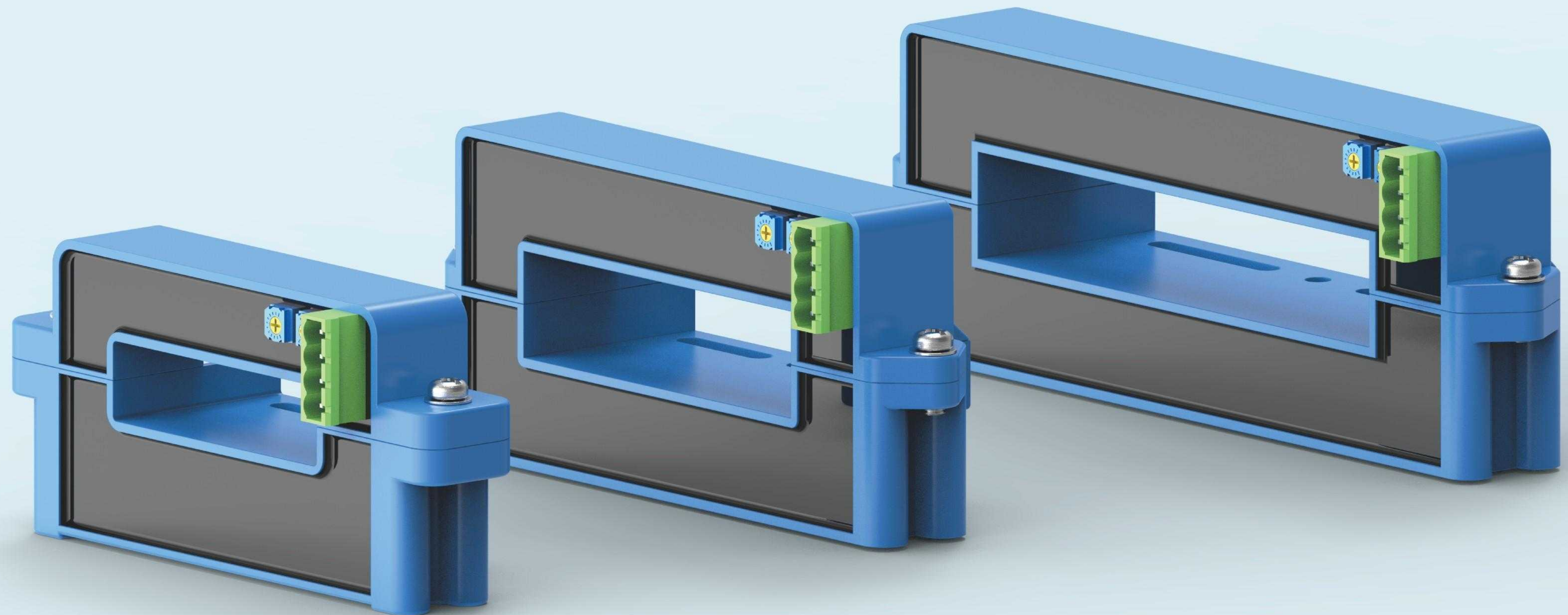


# 矩形开合式霍尔传感器

RECTANGULAR OPEN-CLOSE TYPE HALL SENSOR

物联网电流传感器生产商

IOT CURRENT SENSOR MANUFACTURER



专业，方能体现品质和效率  
Professional, can reflect quality and efficiency

# HEFK 矩形开合式霍尔传感器 RECTANGULAR OPEN-CLOSE TYPE HALL SENSOR YUCHENG

## > 产品概述 Product overview

矩形开合式霍尔电流传感器主要适用于交流、直流、脉冲等复杂信号的隔离转换，通过霍尔效应原理使变换后的信号能够直接被AD、DSP、PLC、二次仪表等各种采集装置直接采集和接收，响应时间快，电流测量范围宽精度高，过载能力强，线性好，抗干扰能力强。安装便捷，可拆卸式安装方式。

The rectangular open-close hall current sensor is mainly suitable for the isolation and conversion of complex signals such as AC, DC and pulse. Through the Hall effect principle, the converted signal can be directly collected and accepted by various acquisition devices such as ad, DSP, PLC and secondary instrument. It has fast response time, wide current measurement range, high precision, strong overload capacity, good linearity and strong anti-interference ability. Easy to install, removable installation.

## > 产品特点 Product features

- ◆ 工业级0.5%精度
- ◆ 六大全面保护功能：输入过载保护、输出过流保护、长时间短路保护、工作电源过压保护、工作电源反接保护、瞬态浪涌电流TVS保护
- ◆ 适用发电机、低压配电柜、空调、风机等负载电流的智能监控系统
- ◆ 高可靠性、高稳定性、高性价比
- ◆ Industrial grade 0.5% accuracy.
- ◆ Six comprehensive protection functions: input overload protection, output over-current protection, long-time short circuit protection, over-voltage protection of working power supply, reverse connection protection of working power supply, transient surge current TVs protection
- ◆ Intelligent monitoring system for load current of generator, low voltage distribution cabinet, air conditioner, fan, etc
- ◆ High reliability, high stability and high cost performance

## > 应用范围 Scope of application

适用于电流监控及电池应用、逆变电源及太阳能电源管理系统、直流屏及直流马达驱动、电镀、焊接应用、变频器，UPS伺服控制等系统电流信号采集和反馈控制。

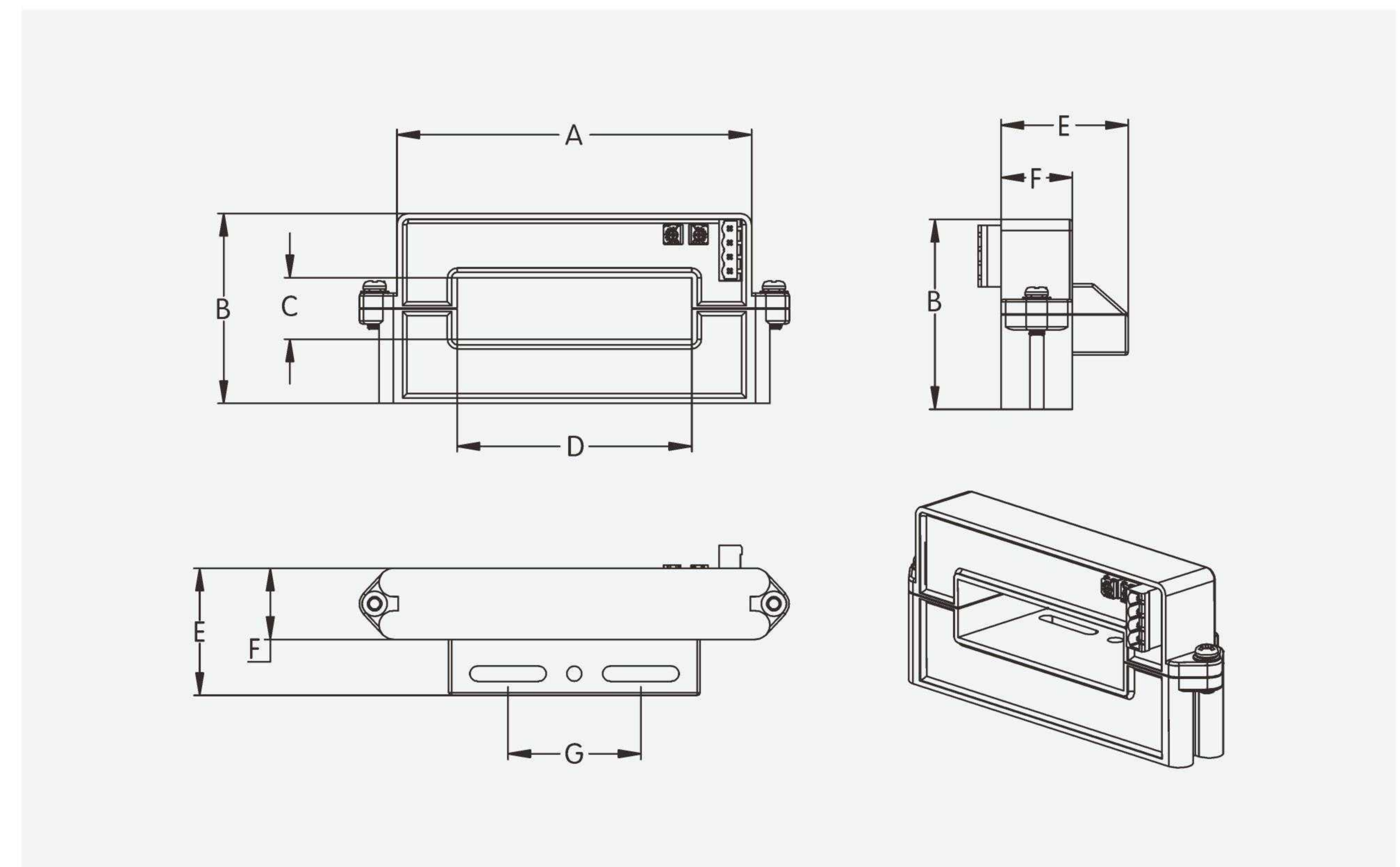
Suitable for current monitoring and battery applications, inverter and solar power management system, DC panel and DC motor drive, electroplating, welding applications, inverter, UPS servo control system current signal acquisition and feedback control.

## > 性能指标 Performance index

电气参数 Electrical parameters	
测量范围 Measuring range	0~1000A
精度 Accuracy	0.5%(其他精度可定制) (other precision can be customized)
孔径大小 Aperture size	20mm、35mm、45mm、55mm、72mm
输出信号 Output signal	DC4~20mA、DC0~20mA、0~10V、1~10V、0~5V、1~5V、0~1V、0~2V (特殊可定制 Special customizable)
负载能力 Load capacity	电压输出 Voltage output:5mA, 电流输出 Current output:6V
响应时间 Response time	200ms
隔离耐压 Isolation and withstand voltage	3KV/50Hz, 1Min
电源 Power Supply	±15V、±12V、±24V、+24V、+12V

## > 外形及安装尺寸 Outline and installation dimensions

型号规格 Model and specification	额定输入(A) Rated input	额定输出 (mA/v) Rated output	精度等级 Accuracy class	外形尺寸 Dimensions(mm)						
				A	B	C	D	E	F	G
HEFK-60	100A 200A 400A	DC4~20mA DC0~20mA	0.5 1.0	102	62.5	16.5	64	44.5	24.5	35
HEFK-80	800A 1000A 2000A 3000A	0~10V 1~10V 0~5V 1~5V		127	68	22	84	44.5	25.5	47.5
HEFK-120	4000A 5000A 6000A	0~1V 0~2V		172	69	22	123	47	28	65.5



# 圆形开合式霍尔传感器

CIRCULAR OPEN-CLOSE TYPE HALL SENSOR

物联网电流传感器生产商

IOT CURRENT SENSOR MANUFACTURER



专业，方能体现品质和效率  
Professional, can reflect quality and efficiency

# HEYK 圆形开合式霍尔传感器 CIRCULAR OPEN-CLOSE TYPE HALL SENSOR YUCHENG

## > 产品概述 Product overview

圆形开合式霍尔电流传感器主要适用于交流、直流、脉冲等复杂信号的隔离转换，通过霍尔效应原理使变换后的信号能够直接被AD、DSP、PLC、二次仪表等各种采集装置直接采集和接收，响应时间快，电流测量范围宽精度高，过载能力强，线性好，抗干扰能力强。安装便捷，可拆卸式安装方式。

The rectangular open-close hall current sensor is mainly suitable for the isolation and conversion of complex signals such as AC, DC and pulse. Through the Hall effect principle, the converted signal can be directly collected and accepted by various acquisition devices such as ad, DSP, PLC and secondary instrument. It has fast response time, wide current measurement range, high precision, strong overload capacity, good linearity and strong anti-interference ability. Easy to install, removable installation.

## > 产品特点 Product features

- ◆ 工业级0.5%精度
- ◆ 六大全面保护功能：输入过载保护、输出过流保护、长时间短路保护、工作电源过压保护、工作电源反接保护、瞬态浪涌电流TVS保护
- ◆ 适用发电机、低压配电柜、空调、风机等负载电流的智能监控系统
- ◆ 高可靠性、高稳定性、高性价比
- ◆ Industrial grade 0.5% accuracy.
- ◆ Six comprehensive protection functions: input overload protection, output over-current protection, long-time short circuit protection, over-voltage protection of working power supply, reverse connection protection of working power supply, transient surge current TVs protection
- ◆ Intelligent monitoring system for load current of generator, low voltage distribution cabinet, air conditioner, fan, etc
- ◆ High reliability, high stability and high cost performance

## > 应用范围 Scope of application

适用于电流监控及电池应用、逆变电源及太阳能电源管理系统、直流屏及直流马达驱动、电镀、焊接应用、变频器，UPS伺服控制等系统电流信号采集和反馈控制。

Suitable for current monitoring and battery applications, inverter and solar power management system, DC panel and DC motor drive, electroplating, welding applications, inverter, UPS servo control system current signal acquisition and feedback control.

## > 性能指标 Performance index

电气参数 Electrical parameters	
测量范围 Measuring range	0~1000A
精度 Accuracy	0.5%(其他精度可定制) (other precision can be customized)
孔径大小 Aperture size	20mm、35mm、45mm、55mm、72mm
输出信号 Output signal	DC4~20mA、DC0~20mA、0~10V、1~10V、0~5V、1~5V、0~1V、0~2V (特殊可定制 Special customizable)
负载能力 Load capacity	电压输出 Voltage output:5mA, 电流输出 Current output:6V
响应时间 Response time	200ms
隔离耐压 Isolation and withstand voltage	3KV/50Hz, 1Min
电源 Power Supply	±15V、±12V、±24V、+24V、+12V

## > 外形及安装尺寸 Outline and installation dimensions

型号规格 Model and specification	额定输入(A) Rated input	额定输出 (mA/v) Rated output	精度等级 Accuracy class	外形尺寸 Dimensions(mm)					
				Φ	A	B	C	D	E
HEYK-20	100A	DC4~20mA	0.5 1.0	21	59	61	16	48	59
HEYK-35	200A	0~10V		35	71	82	16	66	78
	400A	1~10V		40	84	94	18	75	89
	800A	0~5V							
	1000A	1~5V							
HEYK-40	2000A	0~1V 0~2V							

