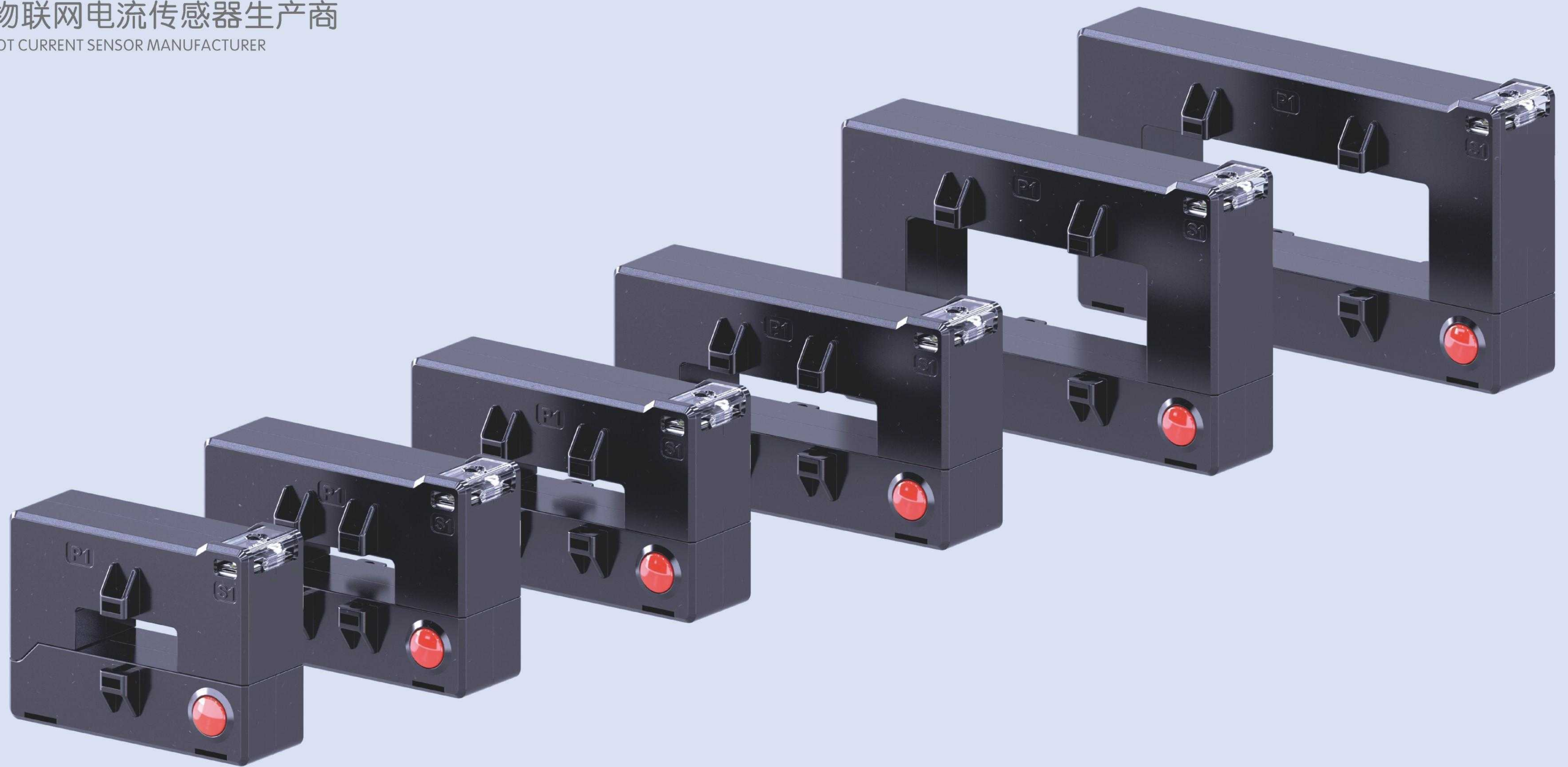


开合式电流互感器

OPEN-CLOSE TYPE CURRENT TRANSFORMER

物联网电流传感器生产商

IOT CURRENT SENSOR MANUFACTURER



专业，方能体现品质和效率
Professional, can reflect quality and efficiency

DPD 开合式电流互感器 OPEN-CLOSE TYPE CURRENT TRANSFORMER YUCHENG

> 产品概述 Product overview

开合式电流互感器主要用于电缆和铜排，其结构简单、设计合理、应用灵活，并根据主回路所用的电缆铜排规格有多种穿芯孔径相对应，主回路一次电流包含了50A~4000A，额定二次输出电流1A~5A(0~1V)。本系列产品能够满足0.2级，0.5级，1级等不同精度的技术要求。GB/T20840.1.2。

The open-close current transformer is mainly used for cables and copper bars. It has simple structure, reasonable design and flexible application. According to the specifications of the copper bars used in the main circuit, there are many kinds of through holes corresponding to each other. The primary current of the main circuit includes 50A ~ 4000A, and the rated secondary output current is 1A ~ 5A (0 ~ 1V). This series of products can meet the technical requirements of grade 0.2, grade 0.5, grade 1 and other different precision. GB/T20840.1.2.

> 产品特点 Product features

- ◆ 开合式结构，易于安装。
- ◆ 本系列产品共计6个规格，一次电流范围覆盖4000A以内。
- ◆ 二次输出为5A/1A的标准信号。
- ◆ Open and close structure, easy to install.
- ◆ This series of products have 6 specifications, and the primary current range is within 4000A.
- ◆ The secondary output is the standard signal of 5A-1A.

> 应用范围 Scope of application

电力监控、能耗管理、智慧用电系统、电磁继电器保护、微机保护、电动机保护、农网改造、台区改造、环保检测等。

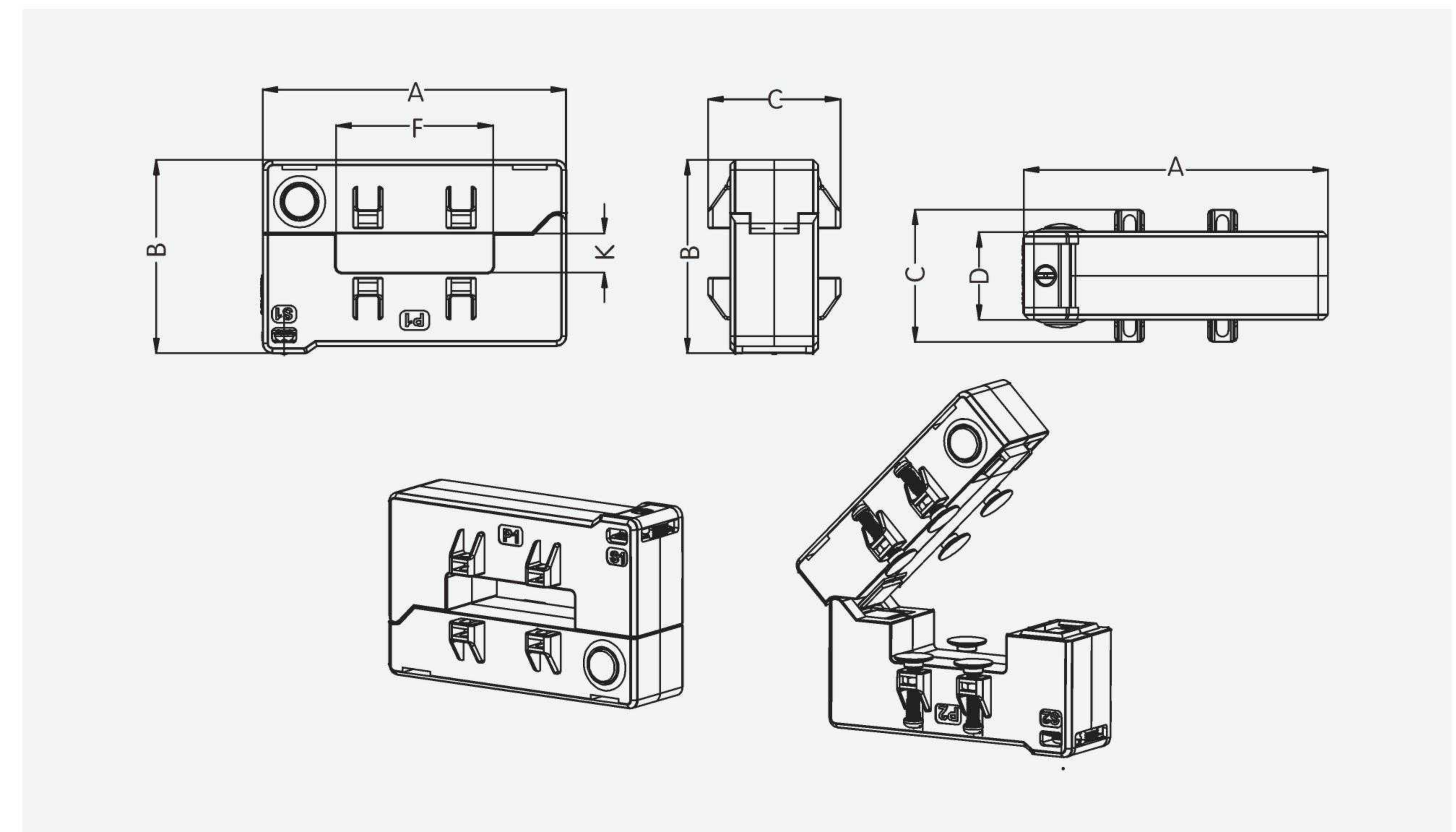
Power monitoring, energy consumption management, intelligent power system, electromagnetic relay protection, microcomputer protection, motor protection, rural power grid transformation, substation transformation, environmental protection detection, etc.

> 性能指标 Performance index

电气参数 Electrical parameters		机械参数 Mechanical parameters	
工作频率 Working frequency	50~400Hz	外壳 Shell	ABS, 阻燃等级94-V0 ABS, Flame retardant grade 94-V0
设备最高 Highest equipment	0.66\0.72KVrms	骨架 Skeleton	PBT
一次电流 Primary current	50~4000Arms	铁芯 Iron core	镍钢或纳米晶 Nickel or nanocrystalline
二次输出 Secondary output	0-1V或0-5A	内部结构 Internal structure	环保型环氧树脂浇注 Environment friendly epoxy resin casting
比值差 Ratio difference	≤ ± 0.1%	施工方案 Construction plan	螺丝固定 Screw fixation
相位差 Phase difference	≤ ± 10分	工作温度 Working temperature	-12℃~ +45℃
介质强度 Dielectric strength	2.5KV/1mA/1min	环境湿度 Ambient humidity	≤ 85%
绝缘电阻 Insulation resistance	DC500V/1000MΩ /min	接线方式 Connection mode	端子型/屏蔽绞线1.5米 Terminal type / shielded strand 1.5m

> 外形及安装尺寸 Outline and installation dimensions

型号规格 Model and specification	额定输入(A) Rated input	额定输出(mA/v) Rated output	精度等级 Accuracy class	外形尺寸 Dimensions(mm)					
				A	B	C	D	F	K
DPD-40				104	79	54	36	44	16
DPD-50	50A			114	79	54	36	54	16
DPD-60	100A								
DPD-60	200A								
DPD-60	500A		0.1	124	79	54	36	64	16
DPD-60	800A		0.2						
DPD-80	1000A		0.5	144	83	54	36	84	20
DPD-80	2000A		1.0						
DPD-100	3000A			164	105	54	36	104	42
DPD-100	4000A								
DPD-120				184	105	54	36	124	42

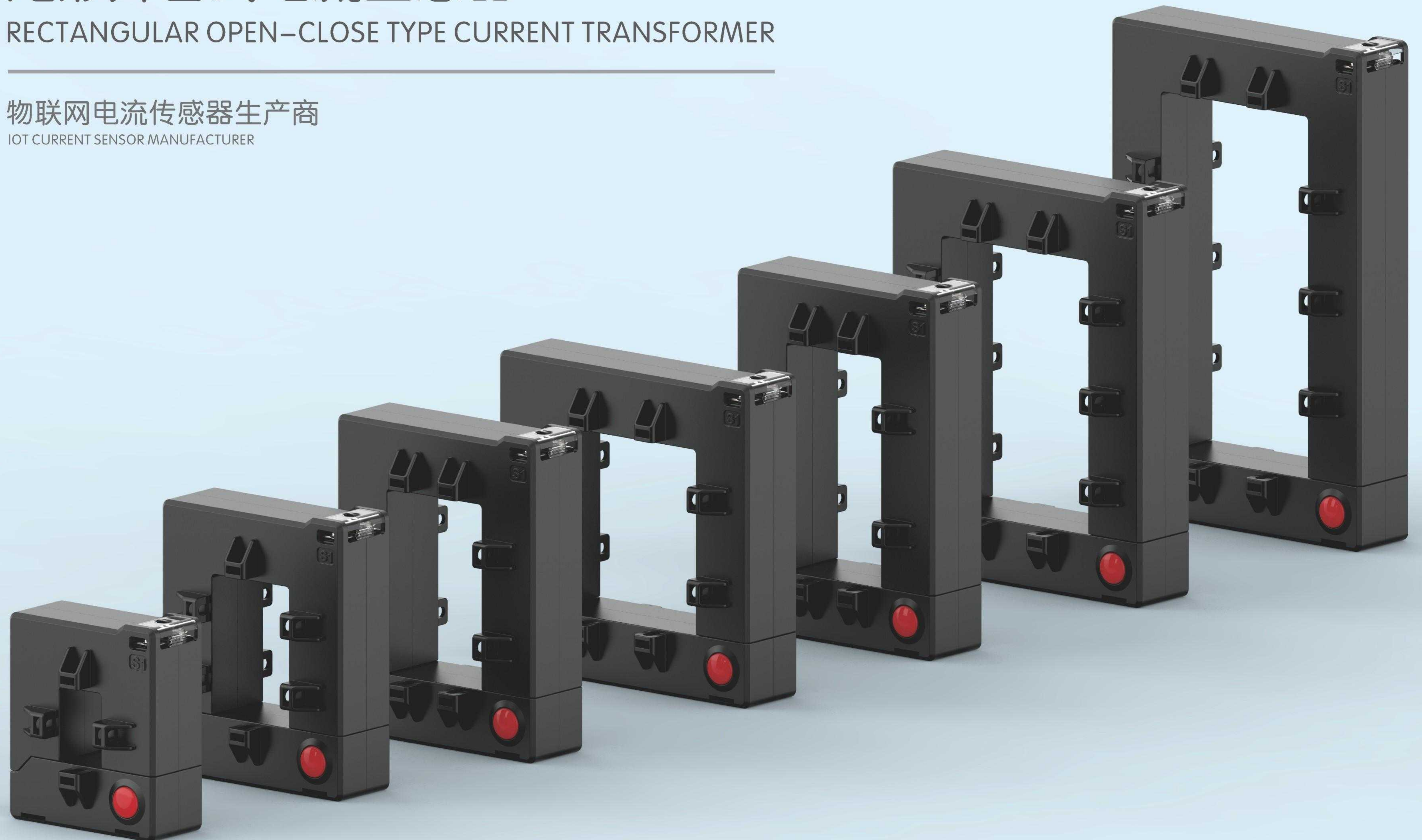


矩形开合式电流互感器

RECTANGULAR OPEN-CLOSE TYPE CURRENT TRANSFORMER

物联网电流传感器生产商

IOT CURRENT SENSOR MANUFACTURER



专业，方能体现品质和效率
Professional, can reflect quality and efficiency

DP 矩形开合式电流互感器 RECTANGULAR OPEN-CLOSE TYPE CURRENT TRANSFORMER YUCHENG

> 产品概述 Product overview

开合式电流互感器主要用于电缆和铜排，其结构简单、设计合理、应用灵活，并根据主回路所用的电缆铜排规格有多种穿芯孔径相对应，主回路一次电流包含了50A~6000A，额定二次输出电流1A~5A(0~1V)。本系列产品能够满足0.2级，0.5级，1级等不同精度的技术要求。GB/T20840.1.2。

The open-close current transformer is mainly used for cables and copper bars. It has simple structure, reasonable design and flexible application. According to the specifications of the copper bars used in the main circuit, there are many kinds of through holes corresponding to each other. The primary current of the main circuit includes 50A ~ 6000A, and the rated secondary output current is 1A ~ 5A (0 ~ 1V). This series of products can meet the technical requirements of grade 0.2, grade 0.5, grade 1 and other different precision. GB/T20840.1.2.

> 产品特点 Product features

- ◆ 开合式结构，易于安装。
- ◆ 本系列产品共计7个规格，一次电流范围覆盖6000A以内。
- ◆ 二次输出为5A/1A的标准信号。
- ◆ Open and close structure, easy to install.
- ◆ This series of products have 7 specifications, and the primary current range is within 6000A.
- ◆ The secondary output is the standard signal of 5A-1A.

> 应用范围 Scope of application

电力监控、能耗管理、智慧用电系统、电磁继电器保护、微机保护、电动机保护、农网改造、台区改造、环保检测等。

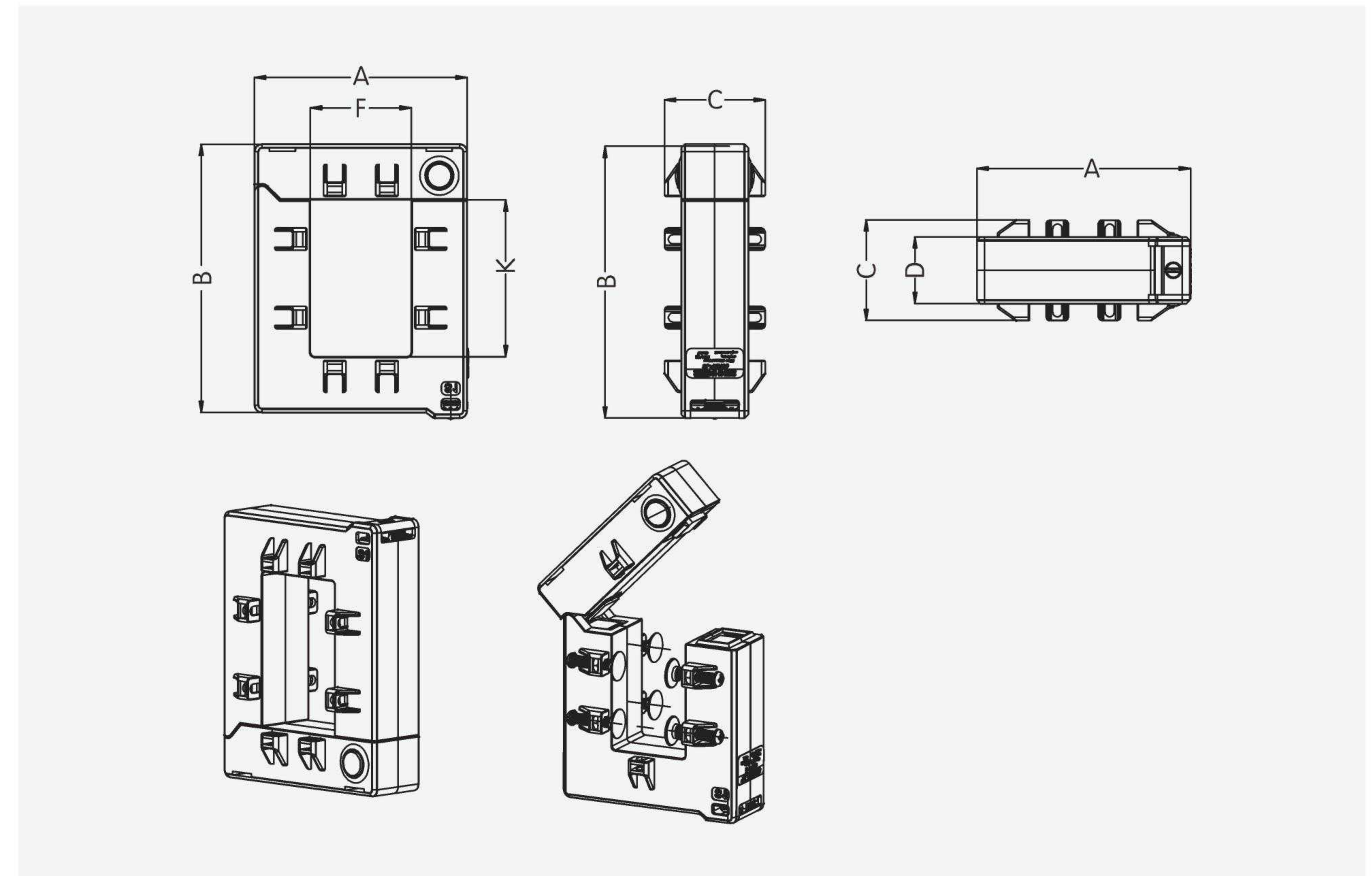
Power monitoring, energy consumption management, intelligent power system, electromagnetic relay protection, microcomputer protection, motor protection, rural power grid transformation, substation transformation, environmental protection detection, etc.

> 性能指标 Performance index

电气参数 Electrical parameters		机械参数 Mechanical parameters	
工作频率 Working frequency	50~400Hz	外壳 Shell	ABS, 阻燃等级94-V0 ABS, Flame retardant grade 94-V0
设备最高 Highest equipment	0.66\0.72KVrms	骨架 Skeleton	PBT
一次电流 Primary current	50~6000Arms	铁芯 Iron core	镍钢或纳米晶 Nickel or nanocrystalline
二次输出 Secondary output	0-1V或0-5A	内部结构 Internal structure	环保型环氧树脂浇注 Environment friendly epoxy resin casting
比值差 Ratio difference	≤ ± 0.1%	施工方案 Construction plan	螺丝固定 Screw fixation
相位差 Phase difference	≤ ± 10分	工作温度 Working temperature	-12℃~ +45℃
介质强度 Dielectric strength	2.5KV/1mA/1min	环境湿度 Ambient humidity	≤ 85%
绝缘电阻 Insulation resistance	DC500V/1000MΩ /min	接线方式 Connection mode	端子型/屏蔽绞线1.5米 Terminal type / shielded strand 1.5m

> 外形及安装尺寸 Outline and installation dimensions

型号规格 Model and specification	额定输入(A) Rated input	额定输出 (mA/v) Rated output	精度等级 Accuracy class	外形尺寸 Dimensions(mm)					
				A	B	C	D	F	K
DP-23	50A	0~1V (0~5A)	0.1	84	97	54	36	24	34
DP-46	100A 200A			102	127	54	36	44	64
DP-58	500A			114	147	54	36	54	84
DP-88	800A 1000A 2000A			144	147	54	36	84	84
DP-510	3000A 4000A			114	167	54	36	54	104
DP-812	5000A 6000A			144	187	54	36	84	124
DP-816				144	227	54	36	84	164

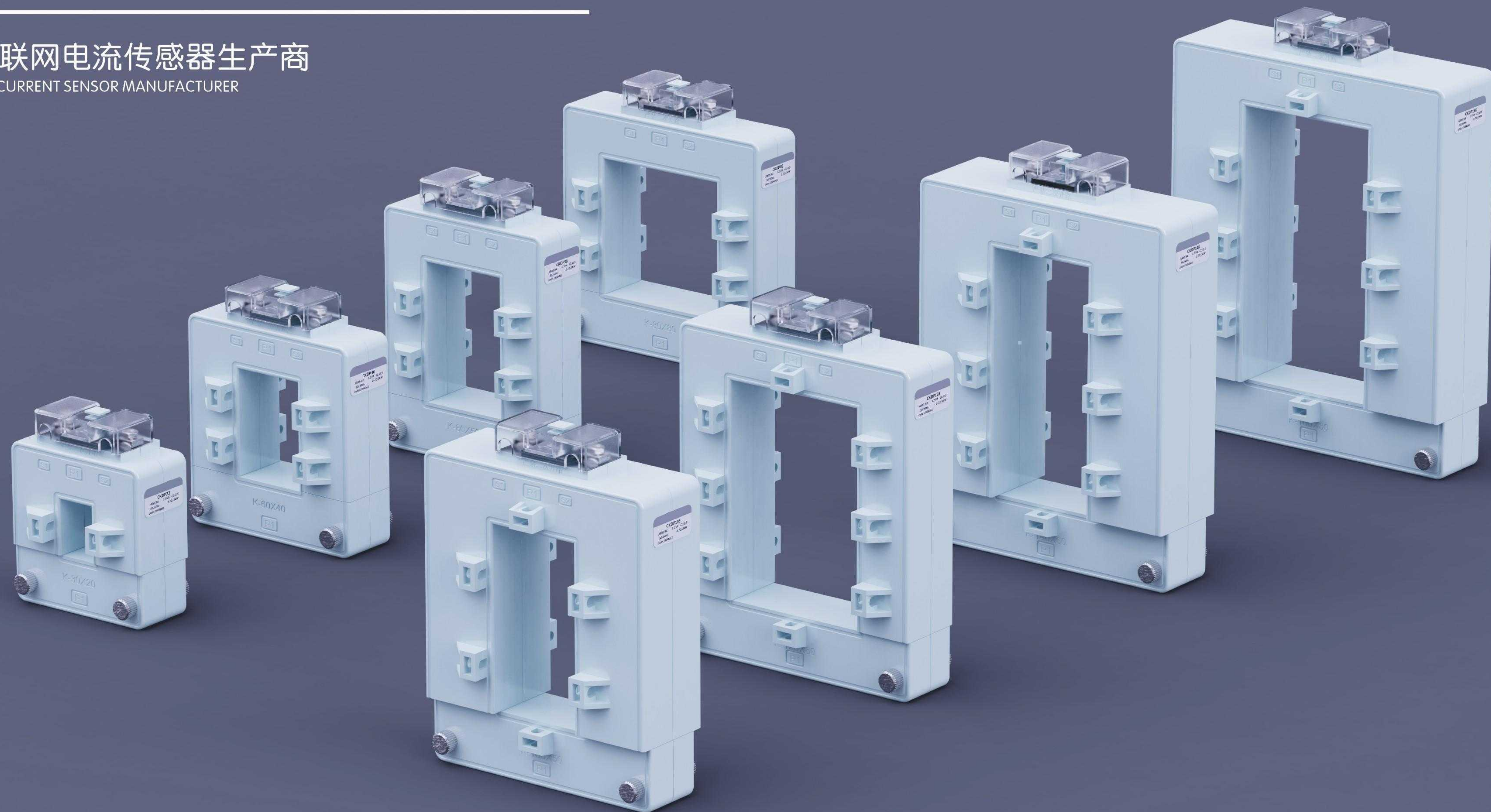


开合式电流互感器

OPEN-CLOSE TYPE CURRENT TRANSFORMER

物联网电流传感器生产商

IOT CURRENT SENSOR MANUFACTURER



专业，方能体现品质和效率
Professional, can reflect quality and efficiency

DP2 开合式电流互感器 OPEN-CLOSE TYPE CURRENT TRANSFORMER YUCHENG

> 产品概述 Product overview

开合式电流互感器主要用于电缆和铜排，其结构简单、设计合理、应用灵活，并根据主回路所用的电缆铜排规格有多种穿芯孔径相对应，主回路一次电流包含了50A~6000A，额定二次输出电流1A~5A(0~1V)。本系列产品能够满足0.2级，0.5级，1级等不同精度的技术要求。

The open-close current transformer is mainly used for cables and copper bars. It has simple structure, reasonable design and flexible application. According to the specifications of the copper bars used in the main circuit, there are many kinds of through holes corresponding to each other. The primary current of the main circuit includes 50A ~ 6000A, and the rated secondary output current is 1A ~ 5A (0 ~ 1V). This series of products can meet the technical requirements of grade 0.2, grade 0.5, grade 1 and other different precision.

> 产品特点 Product features

- ◆ 开合式结构，易于安装。
- ◆ 本系列产品共计8个规格，一次电流范围覆盖6000A以内。
- ◆ 二次输出为5A/1A的标准信号。
- ◆ Open and close structure, easy to install.
- ◆ This series of products have 8 specifications, and the primary current range is within 6000A.
- ◆ The secondary output is the standard signal of 5A-1A.

> 应用范围 Scope of application

电力监控、能耗管理、智慧用电系统、电磁继电器保护、微机保护、电动机保护、农网改造、台区改造、环保检测等。

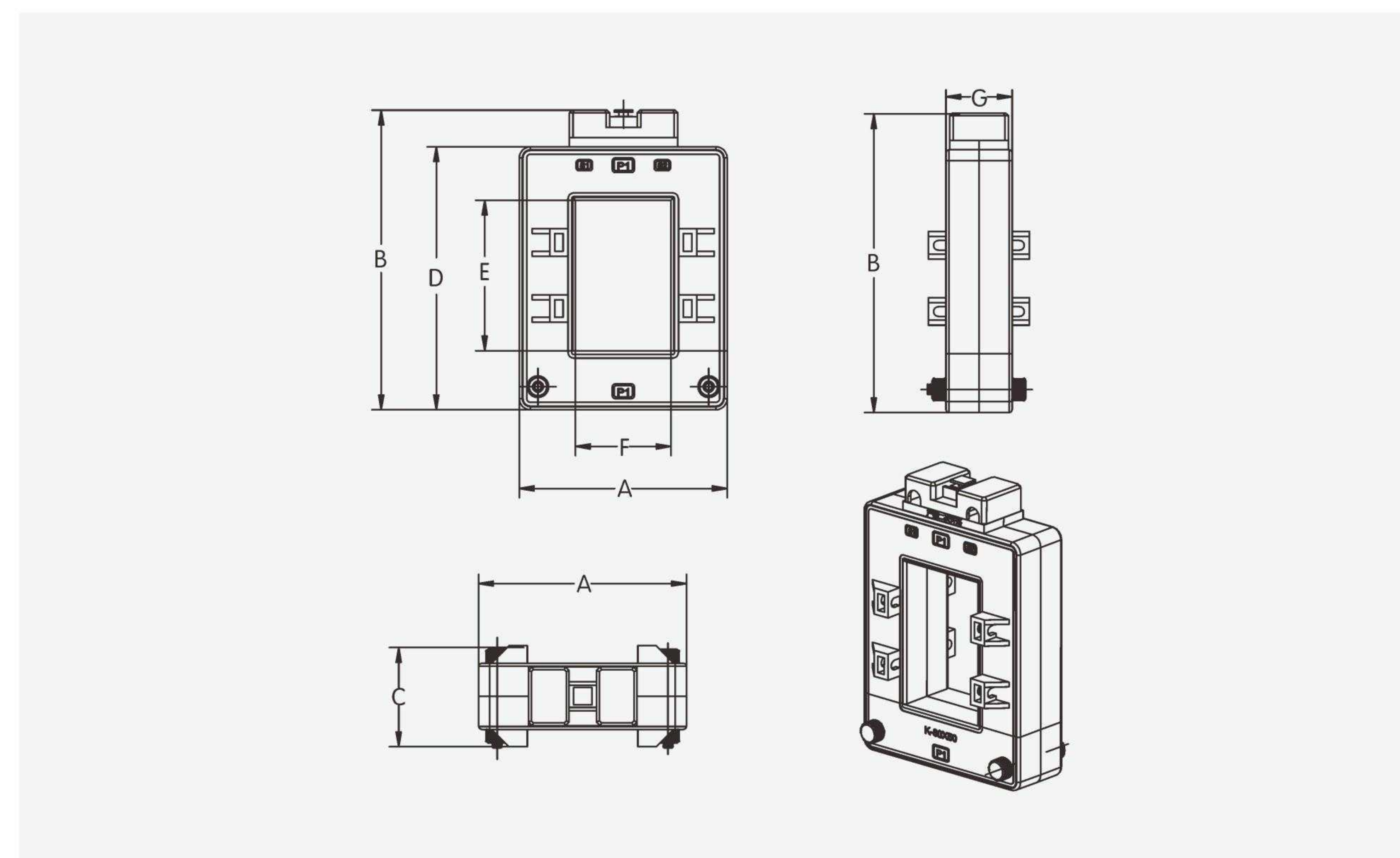
Power monitoring, energy consumption management, intelligent power system, electromagnetic relay protection, microcomputer protection, motor protection, rural power grid transformation, substation transformation, environmental protection detection, etc.

> 性能指标 Performance index

电气参数 Electrical parameters		机械参数 Mechanical parameters	
工作频率 Working frequency	50~400Hz	外壳 Shell	ABS, 阻燃等级94-V0 ABS, Flame retardant grade 94-V0
设备最高 Highest equipment	0.66\0.72KVrms	骨架 Skeleton	PBT
一次电流 Primary current	50~6000Arms	铁芯 Iron core	镍钢或纳米晶 Nickel or nanocrystalline
二次输出 Secondary output	0-1V或0-5A	内部结构 Internal structure	环保型环氧树脂浇注 Environment friendly epoxy resin casting
比值差 Ratio difference	≤ ± 0.1%	施工方案 Construction plan	螺丝固定 Screw fixation
相位差 Phase difference	≤ ± 10分	工作温度 Working temperature	-12℃~ +45℃
介质强度 Dielectric strength	2.5KV/1mA/1min	环境湿度 Ambient humidity	≤ 85%
绝缘电阻 Insulation resistance	DC500V/1000MΩ /min	接线方式 Connection mode	端子型/屏蔽绞线1.5米 Terminal type / shielded strand 1.5m

> 外形及安装尺寸 Outline and installation dimensions

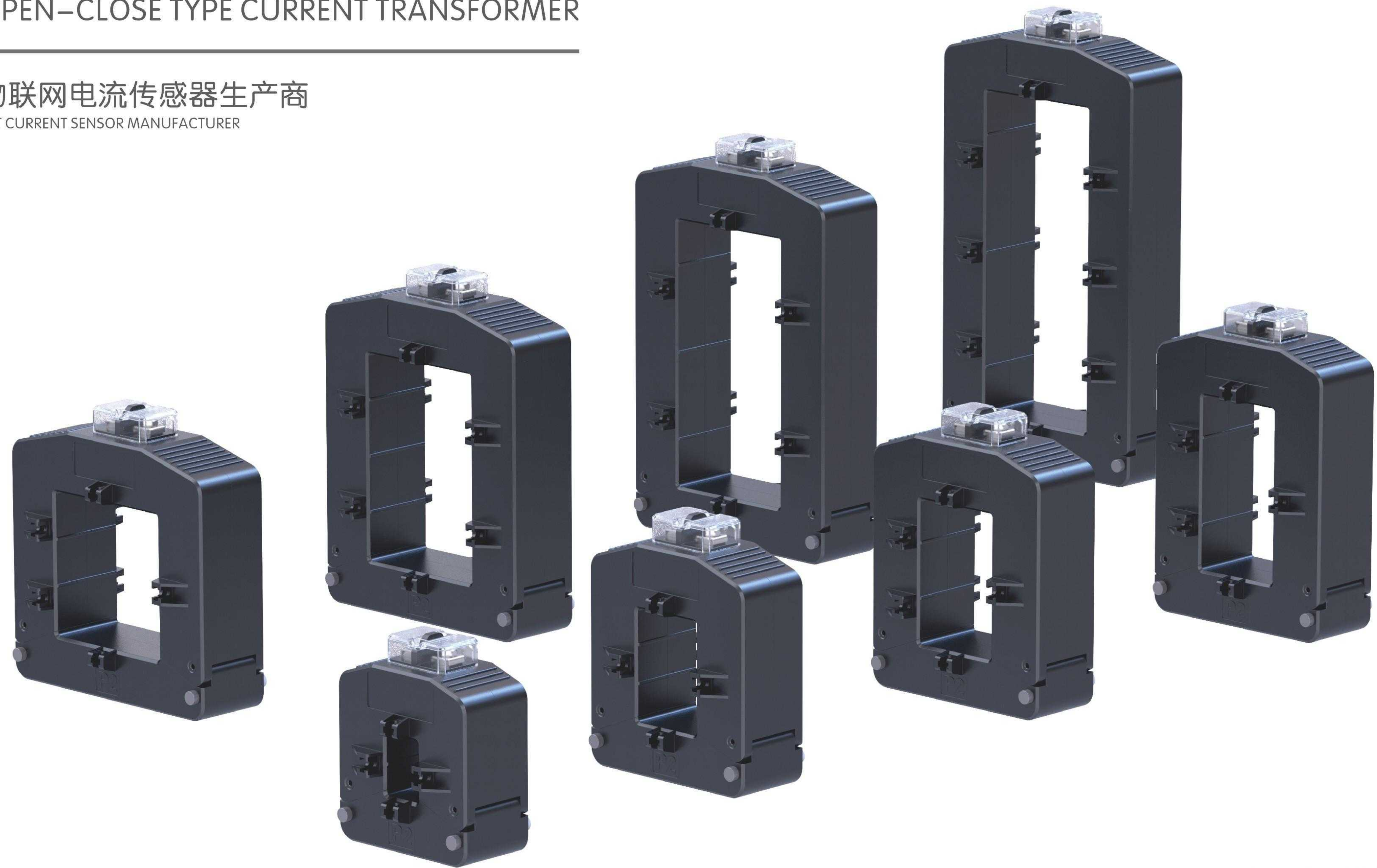
型号规格 Model and specification	额定输入(A) Rated input	额定输出(mA/v) Rated output	精度等级 Accuracy class	外形尺寸 Dimensions(mm)						
				A	B	C	D	E	F	G
DP2-23				90	111	59	91	32	22	40
DP2-46	50A			113	142	55	121	62	42	36
DP2-58	100A			113	163	55	143	82	52	36
DP2-88	200A			143	163	55	143	82	82	36
DP2-510	500A	0~1V	0.1	142	190	67	170	102	52	48
DP2-614	800A	(0~5A)	0.2	162	229	70	209	142	62	51
DP2-812	1000A		0.5	150	203	59	183	122	82	40
DP2-816	2000A		1.0	182	249	71	229	162	82	53
	3000A									
	4000A									
	5000A									
	6000A									



开合式电流互感器

OPEN-CLOSE TYPE CURRENT TRANSFORMER

物联网电流传感器生产商
IOT CURRENT SENSOR MANUFACTURER



DP3 开合式电流互感器 OPEN-CLOSE TYPE CURRENT TRANSFORMER YUCHENG

> 产品概述 Product overview

开合式电流互感器主要用于电缆和铜排，其结构简单、设计合理、应用灵活，并根据主回路所用的电缆铜排规格有多种穿芯孔径相对应，主回路一次电流包含了5A~8000A，额定二次输出电流1A~5A(0~1V)。本系列产品能够满足0.2级，0.5级，1级等不同精度的技术要求。

The open-close current transformer is mainly used for cables and copper bars. It has simple structure, reasonable design and flexible application. According to the specifications of the copper bars used in the main circuit, there are many kinds of through holes corresponding to each other. The primary current of the main circuit includes 5A~8000A, and the rated secondary output current is 1A~5A (0~1V). This series of products can meet the technical requirements of grade 0.2, grade 0.5, grade 1 and other different precision.

> 产品特点 Product features

- ◆ 开合式结构，易于安装。
- ◆ 本系列产品共计8个规格，一次电流范围覆盖8000A以内。
- ◆ 二次输出为5A/1A的标准信号。
- ◆ Open and close structure, easy to install.
- ◆ This series of products have 8 specifications, and the primary current range is within 8000A.
- ◆ The secondary output is the standard signal of 5A-1A.

> 应用范围 Scope of application

电力监控、能耗管理、智慧用电系统、电磁继电器保护、微机保护、电动机保护、农网改造、台区改造、环保检测等。

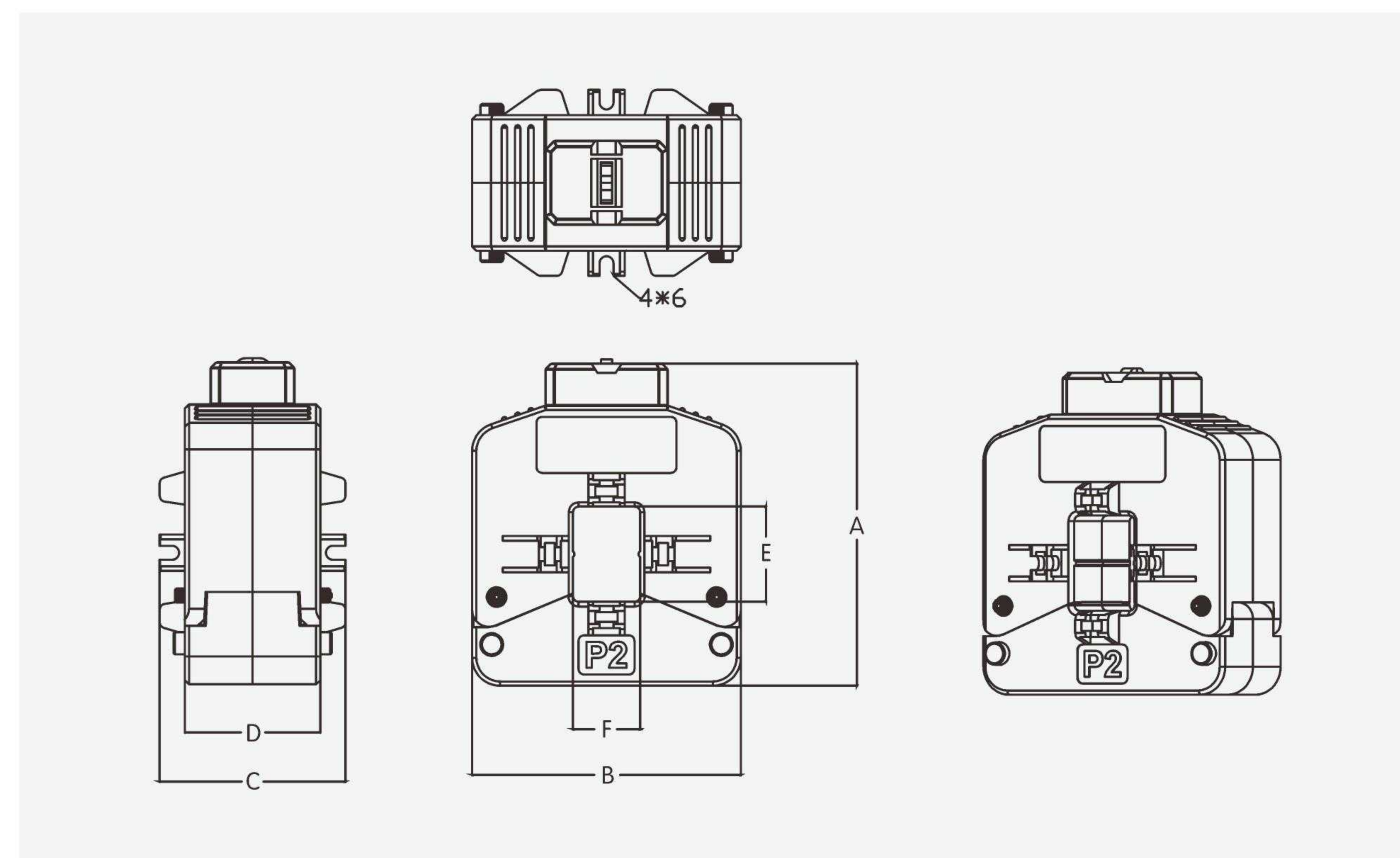
Power monitoring, energy consumption management, intelligent power system, electromagnetic relay protection, microcomputer protection, motor protection, rural power grid transformation, substation transformation, environmental protection detection, etc.

> 性能指标 Performance index

电气参数 Electrical parameters		机械参数 Mechanical parameters	
工作频率 Working frequency	50~400Hz	外壳 Shell	ABS, 阻燃等级94-V0 ABS, Flame retardant grade 94-V0
设备最高 Highest equipment	0.66\0.72KVrms	骨架 Skeleton	PBT
一次电流 Primary current	5~8000Arms	铁芯 Iron core	镍钢或纳米晶 Nickel or nanocrystalline
二次输出 Secondary output	0-1V或0-5A	内部结构 Internal structure	环保型环氧树脂浇注 Environment friendly epoxy resin casting
比值差 Ratio difference	≤ ± 0.1%	施工方案 Construction plan	螺丝固定 Screw fixation
相位差 Phase difference	≤ ± 10分	工作温度 Working temperature	-12℃~ +45℃
介电强度 Dielectric strength	2.5KV/1mA/1min	环境湿度 Ambient humidity	≤ 85%
绝缘电阻 Insulation resistance	DC500V/1000MΩ /min	接线方式 Connection mode	端子型/屏蔽绞线1.5米 Terminal type / shielded strand 1.5m

> 外形及安装尺寸 Outline and installation dimensions

型号规格 Model and specification	额定输入(A) Rated input	额定输出(mA/v) Rated output	精度等级 Accuracy class	外形尺寸 Dimensions(mm)					
				A	B	C	D	E	F
DP3-23	5-400A	0~5A 0~5V	0.2 0.5S 0.5	115	96	66.5	48.5	34	24
DP3-46	5-800A			145	116	66.5	48.5	64	44
DP3-58	5-1500A			165	126	66.5	48.5	84	54
DP3-510	5-2000A			185	126	66.5	48.5	104	54
DP3-88	5-2000A			165	156	66.5	48.5	84	84
DP3-812	5-3000A			205	156	66.5	48.5	124	84
DP3-816	5-6000A			245	156	66.5	48.5	164	84
DP3-820	5-8000A			285	156	66.5	48.5	204	84

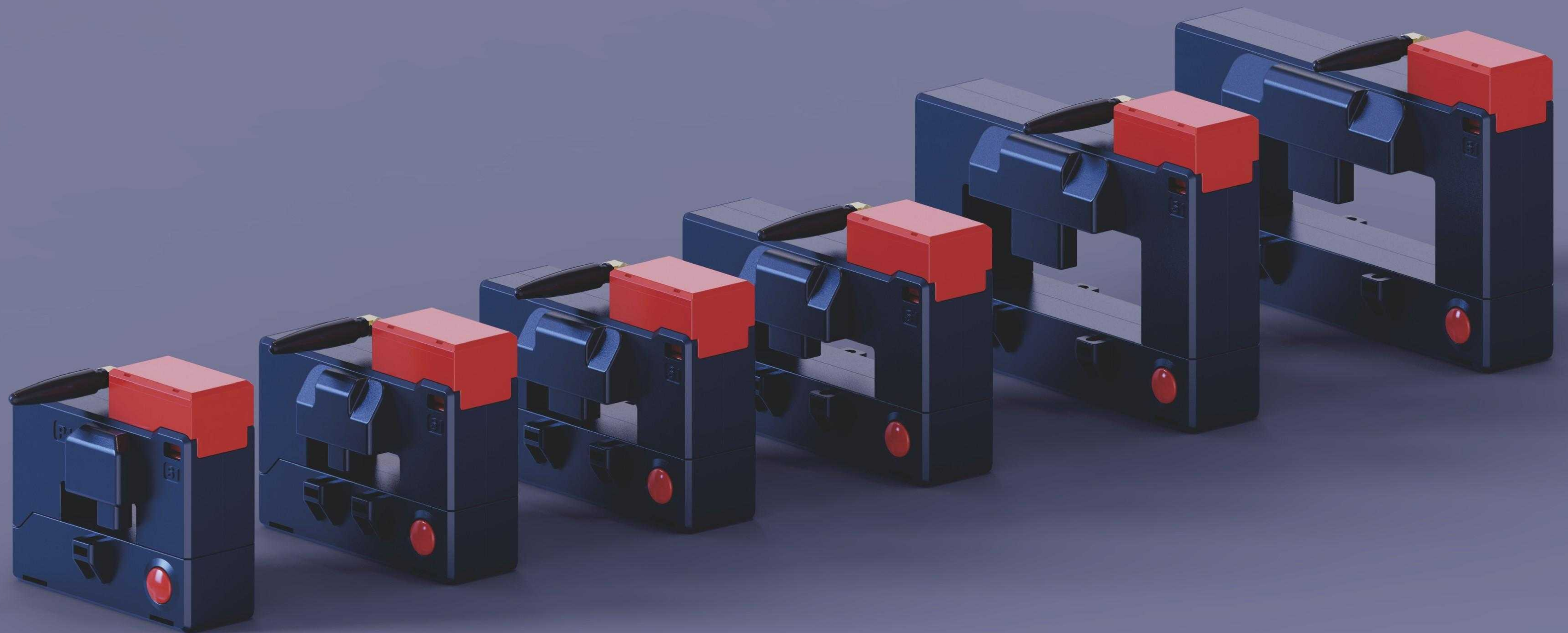


无线母排式电流温度传感器

WIRELESS BUSBAR CURRENT TEMPERATURE SENSOR

物联网电流传感器生产商

IOT CURRENT SENSOR MANUFACTURER



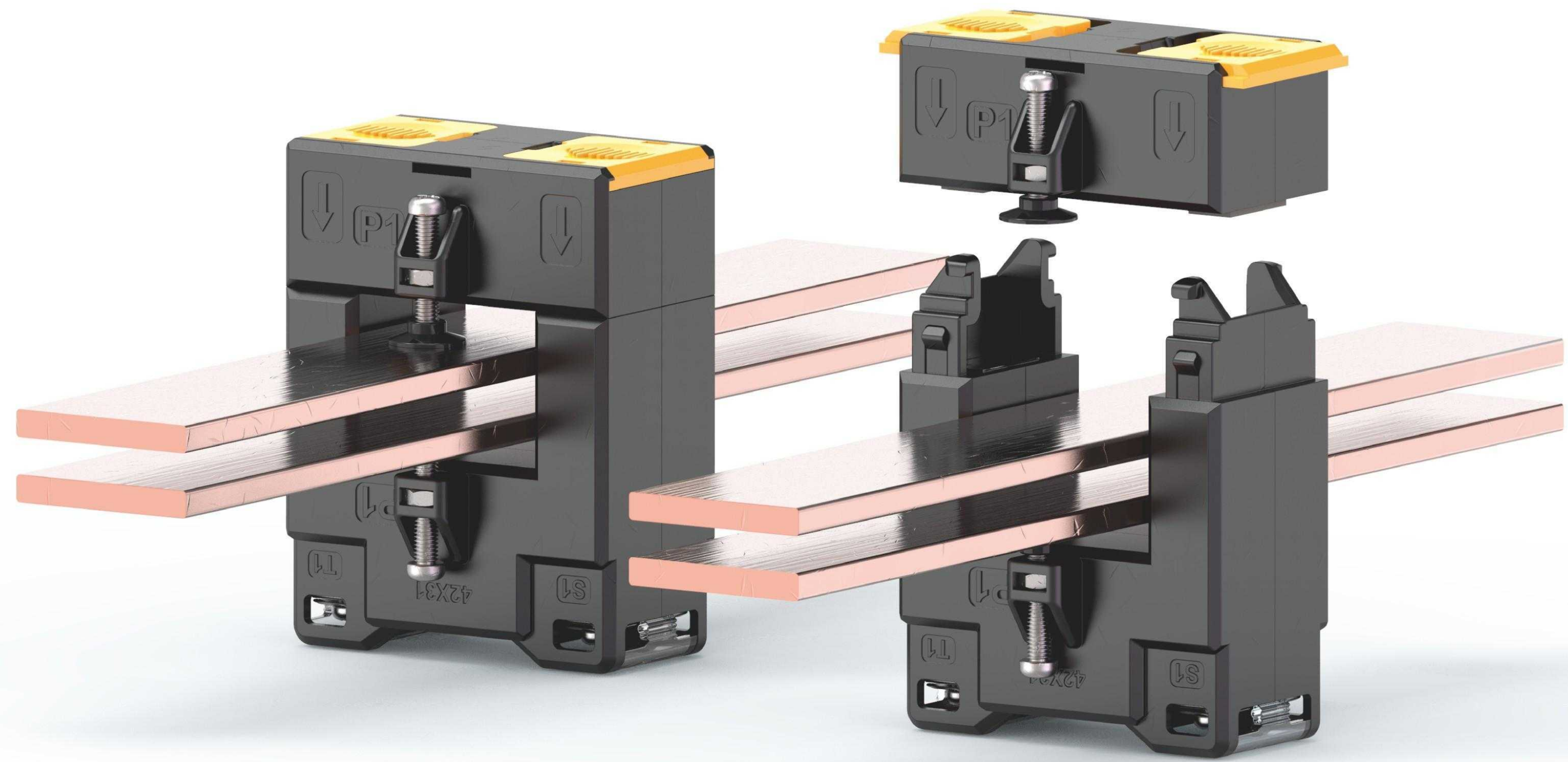
专业，方能体现品质和效率
Professional, can reflect quality and efficiency

矩形开合式电流互感器

RECTANGULAR OPEN – CLOSE TYPE CURRENT TRANSFORMER

电力/消防/工控自动化 便捷高效的解决方案

CONVENIENT AND EFFICIENT SOLUTION FOR
POWER / FIRE / INDUSTRIAL CONTROL AUTOMATION

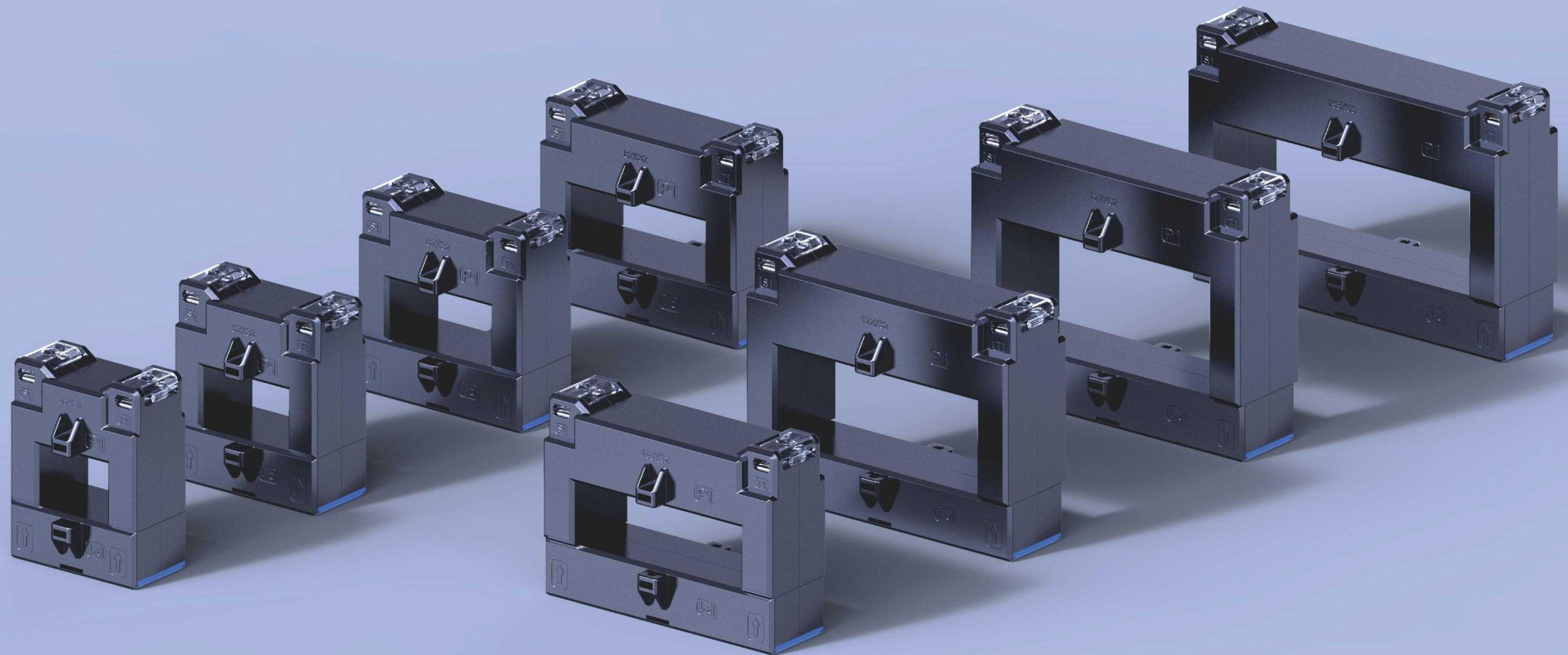


矩形开合式电流互感器

RECTANGULAR OPEN-CLOSE TYPE CURRENT TRANSFORMER

物联网电流传感器生产商

IOT CURRENT SENSOR MANUFACTURER



专业，方能体现品质和效率
Professional, can reflect quality and efficiency

BHK 矩形开合式电流互感器 RECTANGULAR OPEN-CLOSE TYPE CURRENT TRANSFORMER YUCHENG

> 产品概述 Product overview

开合式电流互感器主要用于电缆和铜排，其结构简单、设计合理、应用灵活，并根据主回路所用的电缆铜排规格有多种穿芯孔径相对应，主回路一次电流包含了5A~4000A，额定二次输出电流1A~5A(0~1V)。本系列产品能够满足0.2级，0.5级，1级等不同精度的技术要求。

The open-close current transformer is mainly used for cables and copper bars. It has simple structure, reasonable design and flexible application. According to the specifications of the copper bars used in the main circuit, there are many kinds of through holes corresponding to each other. The primary current of the main circuit includes 5A ~ 4000A, and the rated secondary output current is 1A ~ 5A (0 ~ 1V). This series of products can meet the technical requirements of grade 0.2, grade 0.5, grade 1 and other different precision.

> 产品特点 Product features

- ◆ 开合式结构，易于安装。
- ◆ 本系列产品共计8个规格，一次电流范围覆盖4000A以内。
- ◆ 二次输出为5A/1A的标准信号。
- ◆ Open and close structure, easy to install.
- ◆ This series of products have 8 specifications, and the primary current range is within 4000A.
- ◆ The secondary output is the standard signal of 5A-1A.

> 应用范围 Scope of application

电力监控、能耗管理、智慧用电系统、电磁继电器保护、微机保护、电动机保护、农网改造、台区改造、环保检测等。

Power monitoring, energy consumption management, intelligent power system, electromagnetic relay protection, microcomputer protection, motor protection, rural power grid transformation, substation transformation, environmental protection detection, etc.

> 性能指标 Performance index

电气参数 Electrical parameters		机械参数 Mechanical parameters	
工作频率 Working frequency	50~400Hz	外壳 Shell	ABS, 阻燃等级94-V0 ABS, Flame retardant grade 94-V0
设备最高 Highest equipment	0.66\0.72KVrms	骨架 Skeleton	PBT
一次电流 Primary current	5~4000Arms	铁芯 Iron core	镍钢或纳米晶 Nickel or nanocrystalline
二次输出 Secondary output	0-1V或0-5A	内部结构 Internal structure	环保型环氧树脂浇注 Environment friendly epoxy resin casting
比值差 Ratio difference	≤ ± 0.1%	施工方案 Construction plan	螺丝固定 Screw fixation
相位差 Phase difference	≤ ± 10分	工作温度 Working temperature	-12℃~ +45℃
介质强度 Dielectric strength	2.5KV/1mA/1min	环境湿度 Ambient humidity	≤ 85%
绝缘电阻 Insulation resistance	DC500V/1000MΩ /min	接线方式 Connection mode	端子型/屏蔽绞线1.5米 Terminal type / shielded strand 1.5m

> 外形及安装尺寸 Outline and installation dimensions

型号规格 Model and specification	额定一次电流 输入 Rated primary current input	额定二次电流 输出 Rated secondary current output	精度等级 Accuracy class	外形尺寸 Dimensions(mm)						
				A	B	C	D	E	F	G
BHK-40	5-600A	0-5V/0-5A	0.5 0.5S 0.2	77	102	60	42	42	31.5	17.5
BHK-50	100-800A	0-5V/0-5A		87	102	60	42	52	31.5	17.5
BHK-60	300-1250A	0-5V/0-5A		100	102	60	42	62	31.5	19
BHK-80	400-1800A	0-5V/0-5A		120	103	63	45	82	32.5	19
BHK-100	500-2000A	0-5V/0-5A		140	103	63	45	102	32.5	19
BHK-120	500-2500A	0-5V/0-5A		160	126	67	49	122	50	19
BHK-125	500-3000A	0-5V/0-5A		165	137.5	67	49	127	62	19
BHK-150	600-4000A	0-5V/0-5A		191	130.5	67	49	153	55	19

