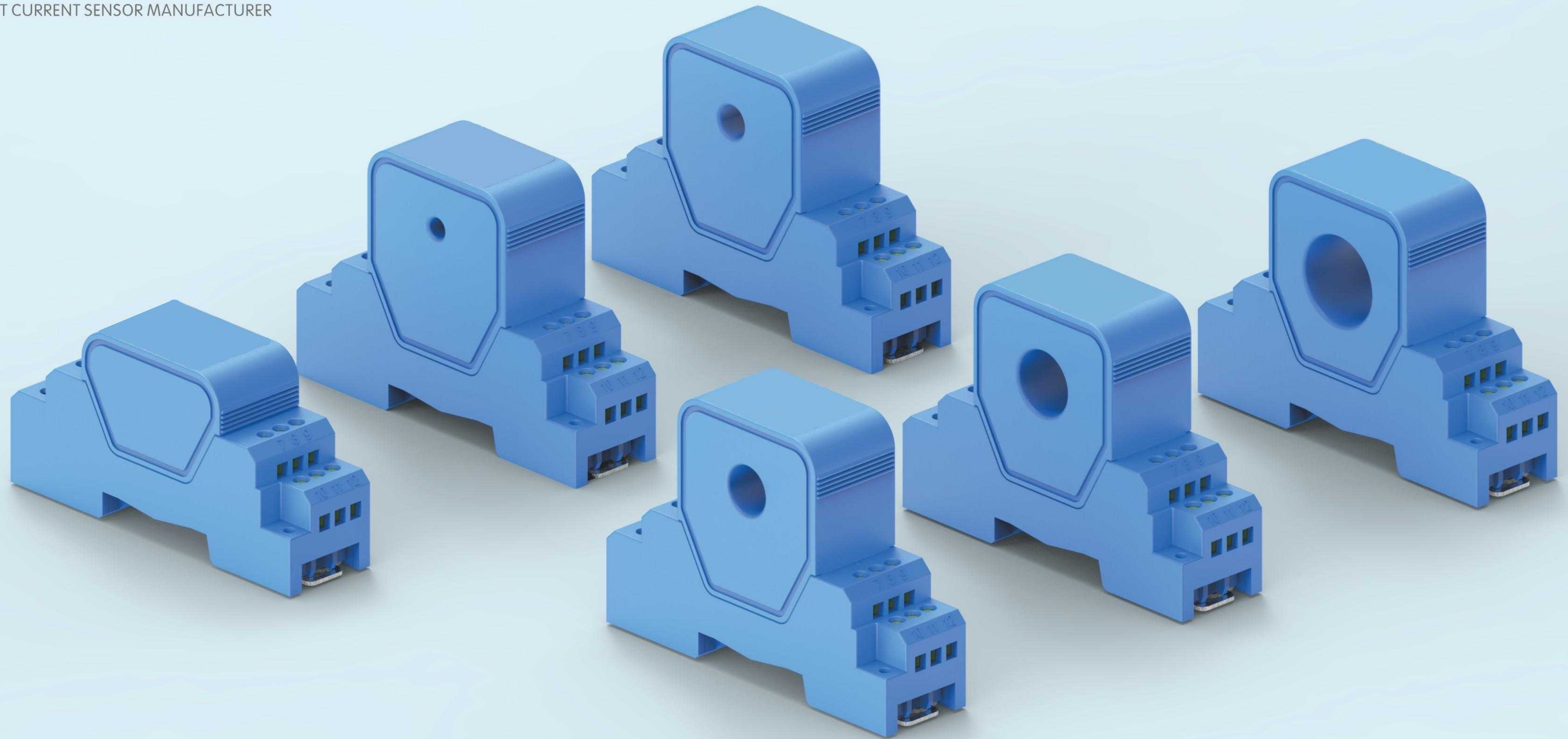


# 导轨式交流变送器

RAIL TYPE AC TRANSMITTER

物联网电流传感器生产商

IOT CURRENT SENSOR MANUFACTURER



专业，方能体现品质和效率  
Professional, can reflect quality and efficiency

## > 产品概述 Product overview

导轨式交流变送器是一种可以直接将被测主回路交流电流转换成按线性比例输出的DC4~20mA (通过250Ω电阻转换DC1~5V或通过500Ω电阻转换DC1~10V)恒流环标准信号的测量仪器,交流电流变送器具有精度高、响应快、体积小、功耗小、频响宽、抗干扰、具有雷击波和冲击波的保护能力等优点。

The rail type AC transmitter can directly convert the AC current of the main circuit to DC 4 ~ 20mA (through 250 Ω Resistance conversion DC 1 ~ 5V or through 500V Ω Resistance conversion DC1 ~ 10V) constant current ring standard signal measuring instrument, AC current transmitter has the advantages of high precision, fast response, small volume, low power consumption, wide frequency response, anti-interference, lightning wave and shock wave protection.

## > 产品特点 Product features

- ◆ 采用单匝穿孔穿芯式结构,将电流互感器和电流变送器两部分组合为一体化设计。
- ◆ 六大全面保护功能:输入过载保护、输出过流保护、长时间短路保护、工作电源过压保护、工作电源反接保护、瞬态浪涌电流TVS保护
- ◆ 适用发电机、低压配电柜、空调、风机等负载电流的智能监控系统
- ◆ 高可靠性、高稳定性、高性价比
- ◆ The current transformer and the current transmitter are combined into an integrated design.
- ◆ Six comprehensive protection functions: input overload protection, output over-current protection, long-time short circuit protection, over-voltage protection of working power supply, reverse connection protection of working power supply, transient surge current TVS protection
- ◆ Intelligent monitoring system for load current of generator, low voltage distribution cabinet, air conditioner, fan, etc.
- ◆ High reliability, high stability and high cost performance

## > 应用范围 Scope of application

适用于电流监控及电池应用、逆变电源及太阳能电源管理系统、直流屏及直流马达驱动、电镀、焊接应用、变频器,UPS伺服控制等系统电流信号采集和反馈控制。

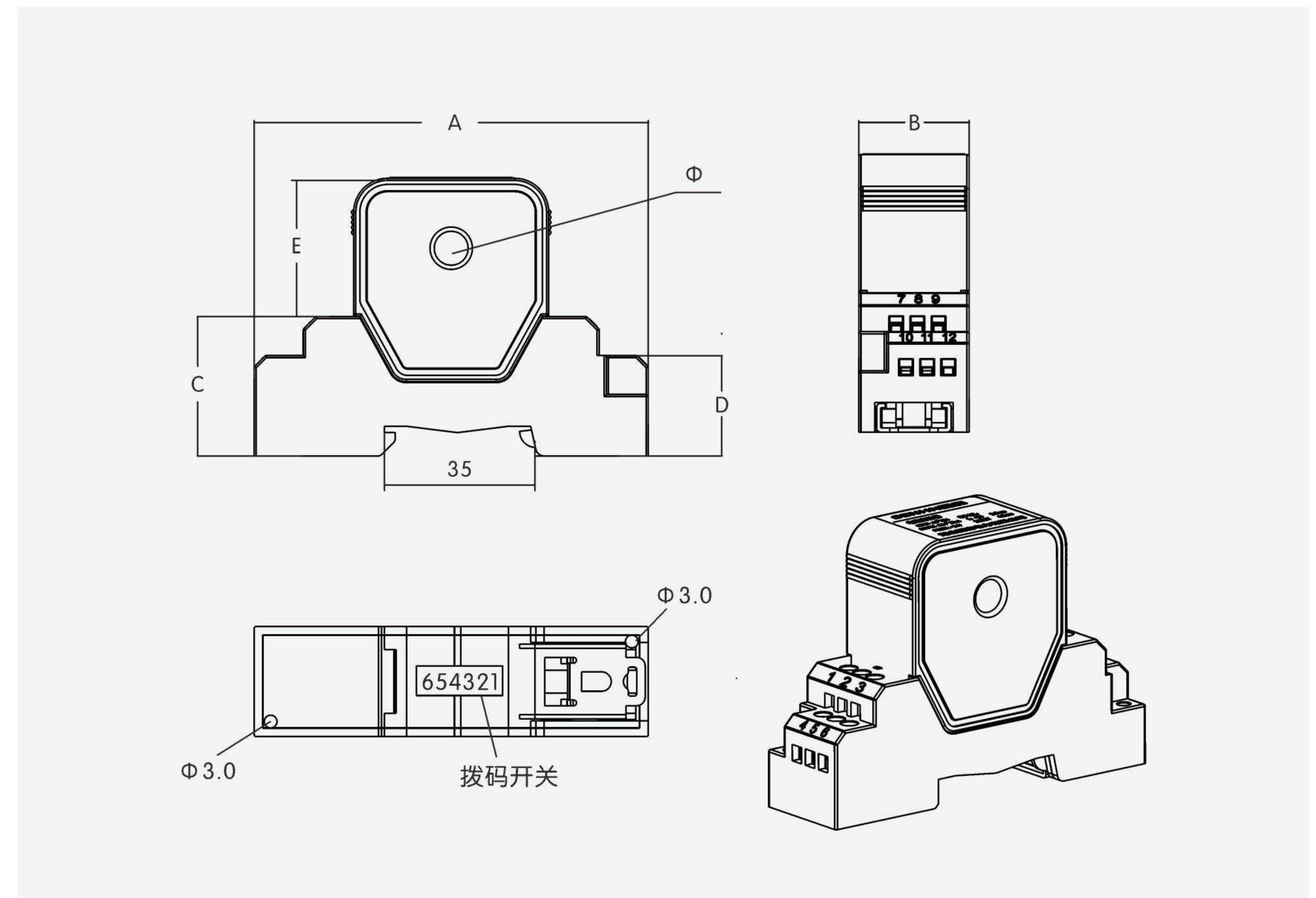
Suitable for current monitoring and battery applications, inverter and solar power management system, DC panel and DC motor drive, electroplating, welding applications, inverter, UPS servo control system current signal acquisition and feedback control.

## > 性能指标 Performance index

电气参数 Electrical parameters	
测量范围 Measuring range	0~400A
精度 Accuracy	0.5%(其他精度可定制) (other precision can be customized)
孔径大小 Aperture size	0mm、6.5mm、12mm、22mm
输出信号 Output signal	DC4~20mA、DC0~20mA、DC0~10V、DC0~5V、485 (特殊可定制 Special customizable)
负载能力 Load capacity	电压输出 Voltage output:5mA, 电流输出 Current output:6V
响应时间 Response time	25ms
隔离耐压 Isolation and withstand voltage	3KV/50Hz, 1Min
电源 Power Supply	±15V、±12V、±24V、+24V、+12V

## > 外形及安装尺寸 Outline and installation dimensions

型号规格 Model and specification	额定输入(A) Rated input	额定输出 (mA/V) Rated output	精度等级 Accuracy class	外形尺寸 Dimensions(mm)					
				Φ	A	B	C	D	E
CTBS-0	5A	DC4~20mA DC0~20mA DC0~10V DC0~5V 485	0.5 1.0	0	92.5	26	32.5	23.5	13
CTBS-6.5	10A 20A			6.5	92.5	26	32.5	23.5	32
CTBS-12	50A 100A 200A			12	92.5	26	32.5	23.5	32
CTBS-22	400A			22	92.5	26	32.5	23.5	32

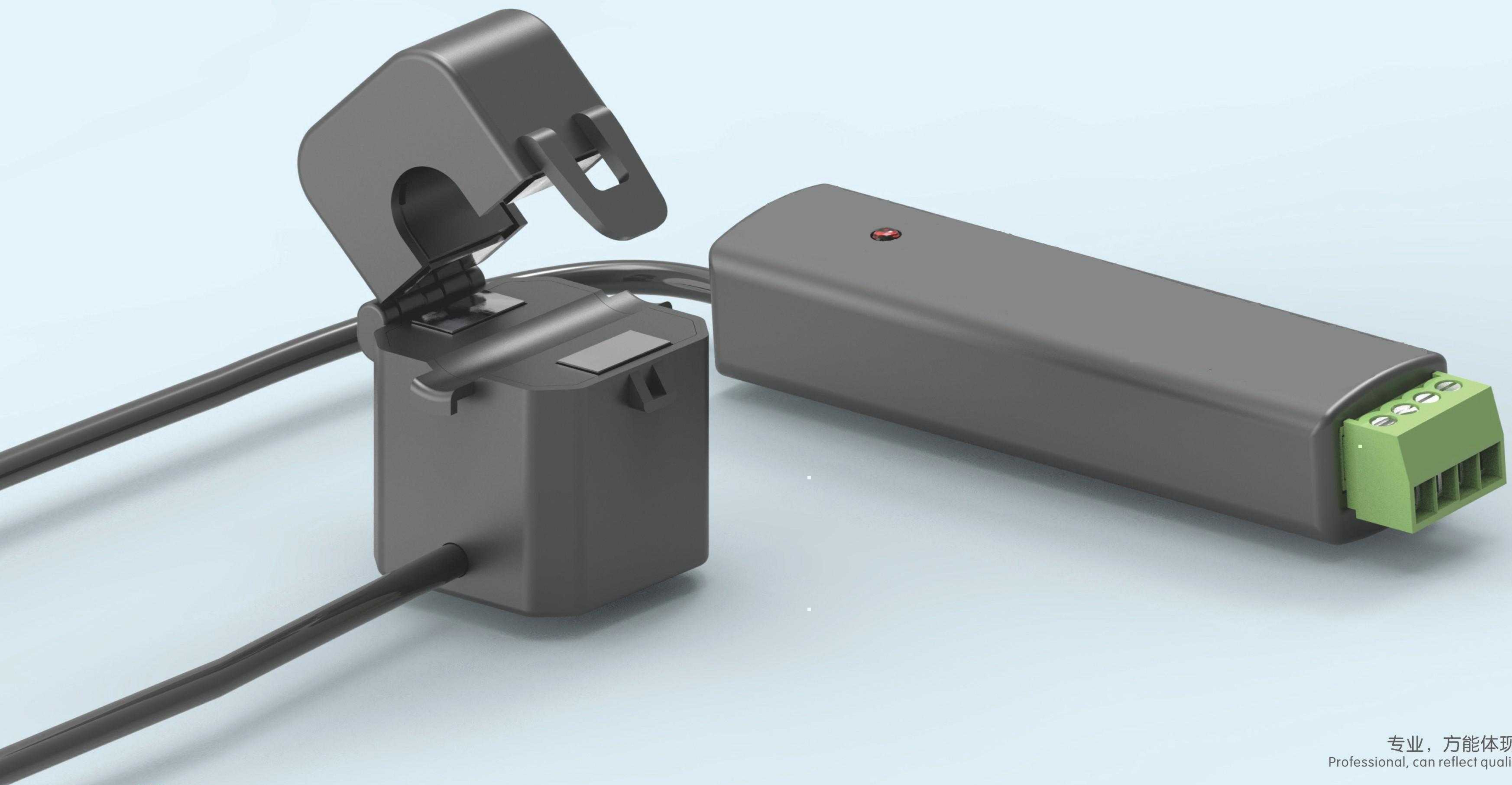


# 开合式交流变送器

OPEN-CLOSE TYPE AC TRANSMITTER

物联网电流传感器生产商

IOT CURRENT SENSOR MANUFACTURER



专业，方能体现品质和效率  
Professional, can reflect quality and efficiency

# CTBSK 开合式交流变送器 OPEN-CLOSE TYPE AC TRANSMITTER YUCHENG

## > 产品概述 Product overview

开合式交流变送器是一种可以直接将被测主回路交流电流转换成按线性比例输出的DC4、20mA (通过250Ω电阻转换DC1~5V或通过500Ω电阻转换DC1~10V)恒流环标准信号的测量仪器,交流电流变送器具有精度高、响应快、体积小、功耗小、频响宽、抗干扰、具有雷击波和冲击波的保护能力等优点。

The open-close type AC transmitter is a kind of DC 4, 20 MA (through 250 kV) which can directly convert the AC current of the main circuit to linear proportional output Ω Resistance conversion DC 1 ~ 5V or through 500V Ω Resistance conversion (DC1 ~ 10V) constant current ring standard signal measuring instrument, AC current transmitter has the advantages of high precision, fast response, small volume, low power consumption, wide frequency response, anti-interference, lightning wave and shock wave protection.

## > 产品特点 Product features

- ◆ 卡扣结构、线性度好、灵敏度高
- ◆ 采用高导磁硅钢,线性度好、灵敏度高
- ◆ 内部环氧树脂浇注,稳定性好,重量轻,方便安装
- ◆ Snap structure, good linearity and high sensitivity
- ◆ High permeability silicon steel with good linearity and high sensitivity
- ◆ Internal epoxy resin casting, good stability, light weight, easy installation

## > 应用范围 Scope of application

适用于农网改造、电气火灾监控、防火漏电系统、智慧用电系统、电量测量、电能质量分析及电气设备信号的采集、照明设备、电机、电力装置等设备的电力需求侧管理小电流接地系统、电磁继电器保护、微机保护、智慧电力、环保监测等。

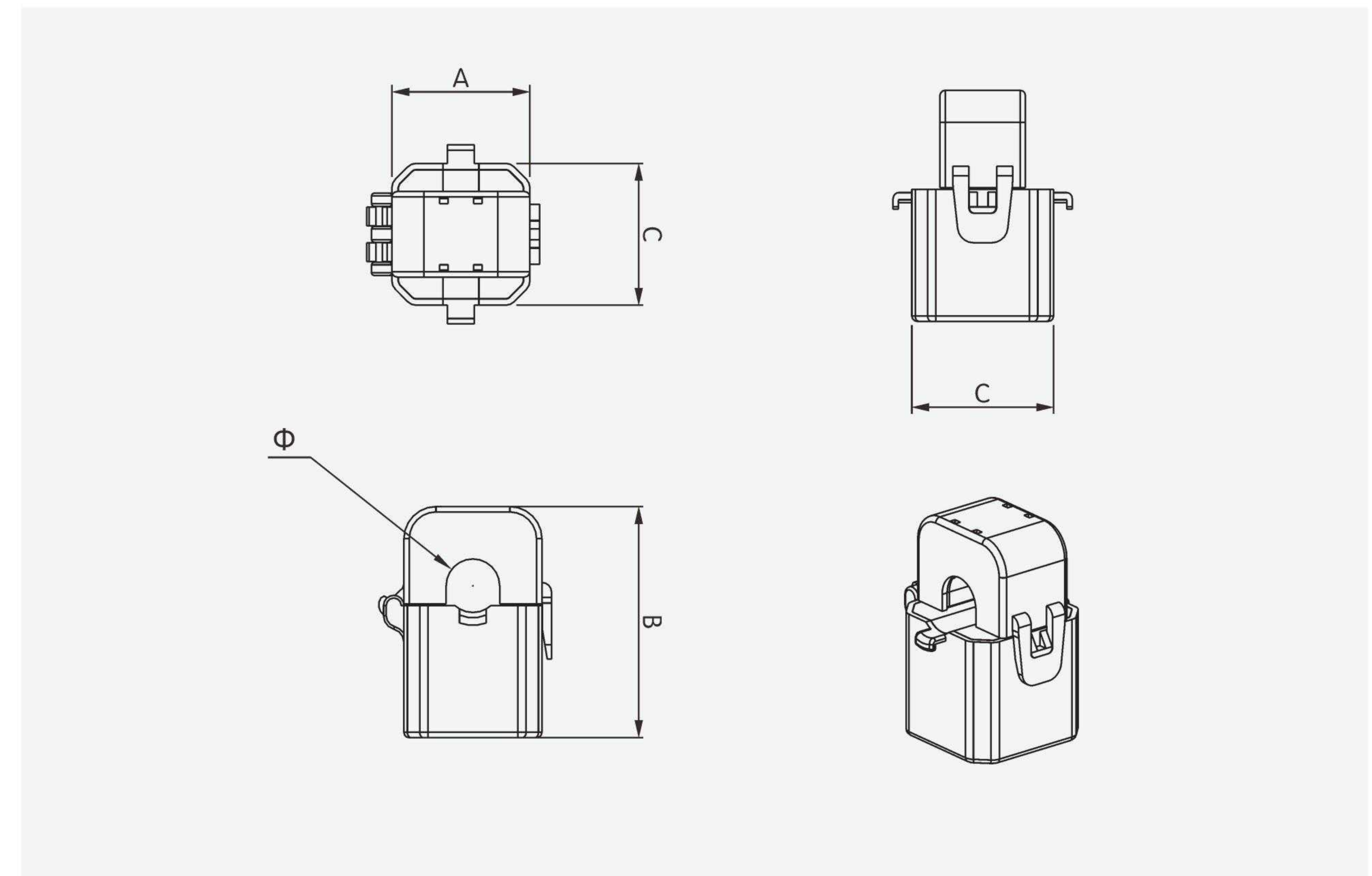
It is suitable for rural power grid reconstruction, electrical fire monitoring, fire prevention and leakage system, intelligent power system, power measurement, power quality analysis and electrical equipment signal acquisition, power demand side management of lighting equipment, motor, power device and other equipment, small current grounding system, electromagnetic relay protection, microcomputer protection, intelligent power, environmental protection monitoring, etc.

## > 性能指标 Performance index

电气参数 Electrical parameters		机械参数 Mechanical parameters	
工作频率 Working frequency	50~2KHz	外壳 Shell	ABS, 阻燃等级94-V0 ABS, Flame retardant grade 94-V0
额定输入 Rated input	5A~2000A	骨架 Skeleton	PBT
测量范围 Measuring range	10%In~130%In	铁芯 Iron core	铁氧体/硅钢 Ferrite/silicon steel
额定输出 Rated output	DC4~20mA, DC0~20mA, DC0~10V, DC0~5V, 485	内部结构 Internal structure	卡扣 Clasp
比值差 Ratio difference	≤ ± 0.1%	施工方案 Construction plan	扎带固定 Band fixation
相位差 Phase difference	≤ ± 10分	工作温度 Working temperature	-25℃ ~ +75℃
介质强度 Dielectric strength	2.5KV/1mA/1min	环境湿度 Ambient humidity	≤ 85%
绝缘电阻 Insulation resistance	DC500V/1000MΩ /min	接线方式 Connection mode	PVC 三色1.5m双绞线 PVC tricolor 1.5m twisted pair

## > 外形及安装尺寸 Outline and installation dimensions

型号规格 Model and specification	额定输入(A) Rated input	额定输出 (mA/V) Rated output	精度等级 Accuracy class	外形尺寸 Dimensions(mm)			
				Φ	A	B	C
CTBSK10	5-75A (5、10、20、50、75)	DC4~20mA DC0~20mA DC0~10V DC0~5V 485	0.5、1.0、3.0	10mm	23	40	27
CTBSK16	5-160A (5、10、50、100、160)			16mm	31	50	30
CTBSK24	10-300A (10、50、100、200、250)			23mm	43	73	39
CTBSK35	10-630A (20、100、250、400、600)			35mm	60	89	43
CTBSK50	10-2000A (200、500、1000、1500、2000)			50mm	81.2	119.8	58



# 一体式开口交流变送器

INTEGRATED OPEN AC TRANSMITTER

物联网电流传感器生产商

IOT CURRENT SENSOR MANUFACTURER



专业，方能体现品质和效率  
Professional, can reflect quality and efficiency

# CTBSK1 一体式开口交流变送器 INTEGRATED OPEN AC TRANSMITTER YUCHENG

## > 产品概述 Product overview

一体式开口交流变送器是一种可以直接将被测主回路交流电流转换成按线性比例输出的DC4~20mA (通过250Ω电阻转换DC1~5V或通过500Ω电阻转换DC1~10V) 恒流环标准信号的测量仪器。交流电流变送器具有精度高、响应快、体积小、功耗小、频响宽、抗干扰、具有雷击波和冲击波的保护能力等优点。

The integrated open-ended AC transmitter can directly convert the AC current of the main circuit to DC4~20mA (through 250kV) with linear proportional output Ω Resistance conversion DC1~5V or through 500V Ω Resistance conversion (DC1~10V) constant current ring standard signal measuring instrument, AC current transmitter has the advantages of high precision, fast response, small volume, low power consumption, wide frequency response, anti-interference, lightning wave and shock wave protection.

## > 产品特点 Product features

- ◆ 卡扣结构、线性度好、灵敏度高
- ◆ 采用高导磁硅钢，线性度好、灵敏度高
- ◆ 内部环氧树脂浇注，稳定性好，重量轻，方便安装
- ◆ Snap structure, good linearity and high sensitivity
- ◆ High permeability silicon steel with good linearity and high sensitivity
- ◆ Internal epoxy resin casting, good stability, light weight, easy installation

## > 应用范围 Scope of application

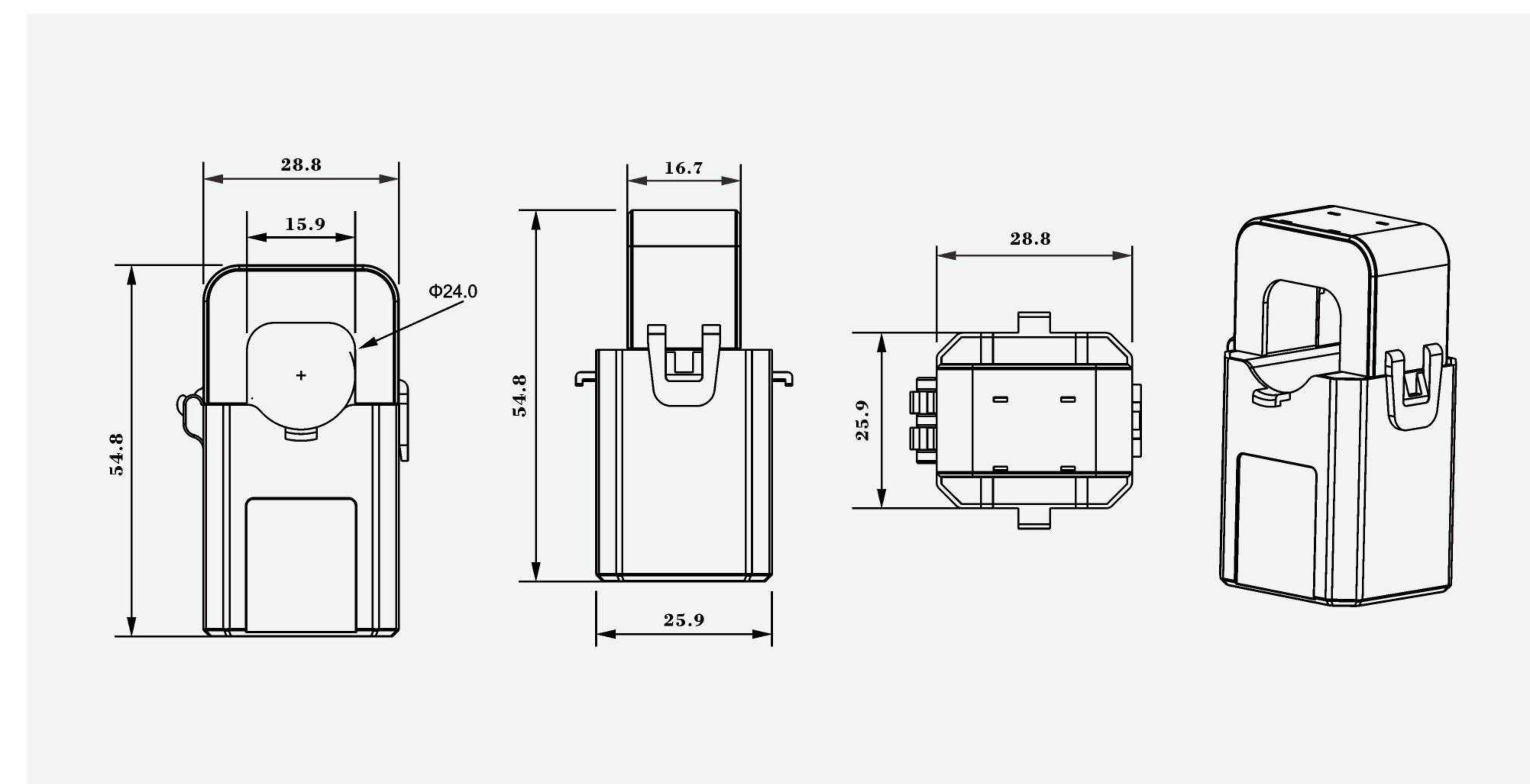
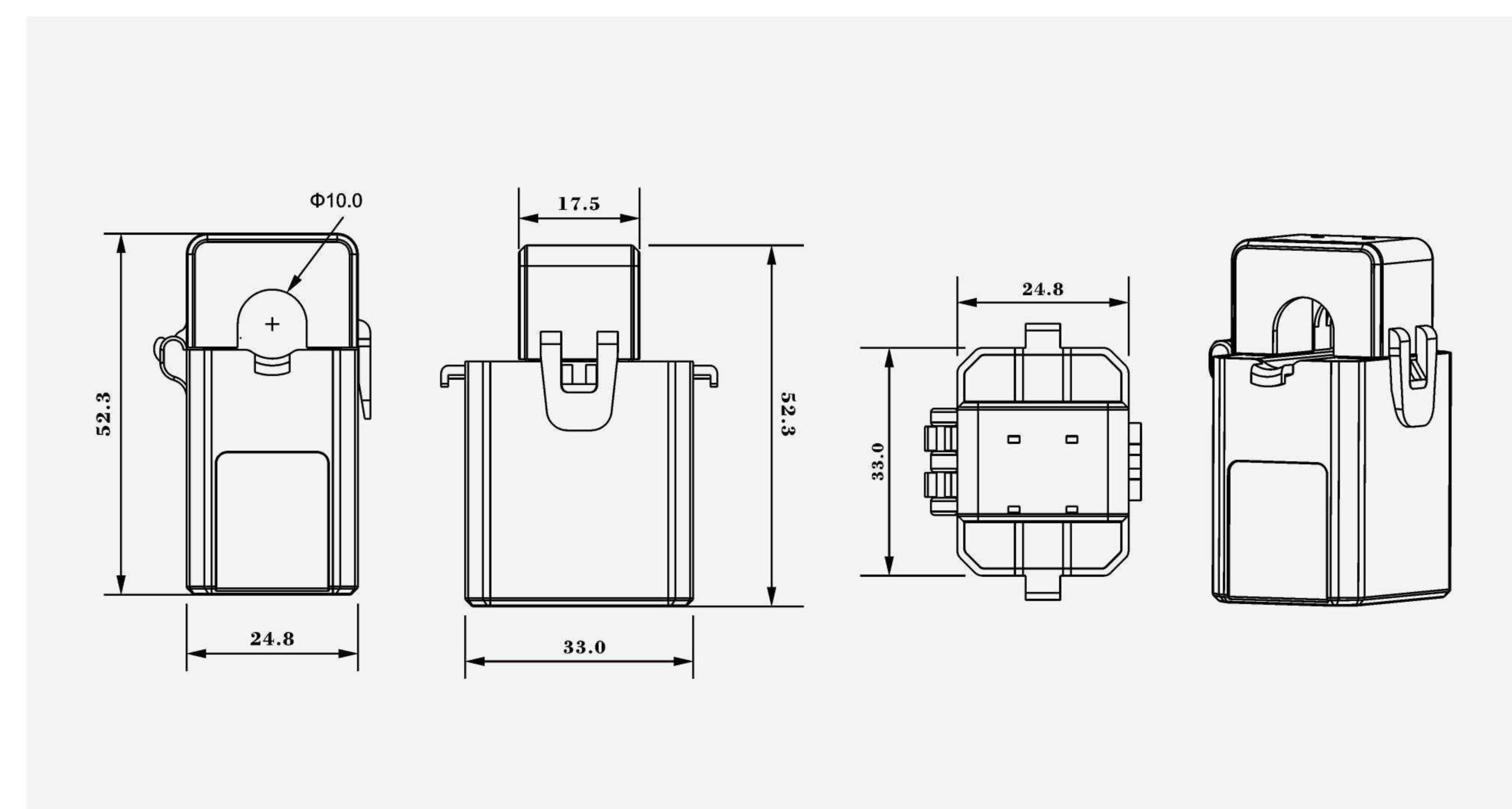
适用于农网改造、电气火灾监控、防火漏电系统、智慧用电系统、电量测量、电能质量分析及电气设备信号的采集、照明设备、电机、电力装置等设备的电力需求侧管理小电流接地系统、电磁继电器保护、微机保护、智慧电力、环保监测等。

It is suitable for rural power grid reconstruction, electrical fire monitoring, fire prevention and leakage system, intelligent power system, power measurement, power quality analysis and electrical equipment signal acquisition, power demand side management of lighting equipment, motor, power device and other equipment, small current grounding system, electromagnetic relay protection, microcomputer protection, intelligent power, environmental protection monitoring, etc.

## > 性能指标 Performance index

电气参数 Electrical parameters		机械参数 Mechanical parameters	
工作频率 Working frequency	50~2KHz	外壳 Shell	ABS, 阻燃等级94-V0 ABS, Flame retardant grade 94-V0
额定输入 Rated input	5A~2000A	骨架 Skeleton	PBT
测量范围 Measuring range	10%In~130%In	铁芯 Iron core	铁氧体/硅钢 Ferrite/silicon steel
额定输出 Rated output	DC4~20mA, DC0~20mA, DC0~10V, DC0~5V, 485可定制 Customizable	内部结构 Internal structure	卡扣 Clasp
比值差 Ratio difference	≤ ± 0.1%	施工方案 Construction plan	扎带固定 Band fixation
相位差 Phase difference	≤ ± 10分	工作温度 Working temperature	-25℃ ~ +75℃
介质强度 Dielectric strength	2.5KV/1mA/1min	环境湿度 Ambient humidity	≤ 85%
绝缘电阻 Insulation resistance	DC500V/1000MΩ /min	接线方式 Connection mode	PVC 三色1.5m双绞线 PVC tricolor 1.5m twisted pair

## > 外形及安装尺寸 Outline and installation dimensions



# 一体式开口交流变送器

INTEGRATED OPEN AC TRANSMITTER

物联网电流传感器生产商

IOT CURRENT SENSOR MANUFACTURER



专业，方能体现品质和效率  
Professional, can reflect quality and efficiency

# CTBSK2 一体式开口交流变送器 INTEGRATED OPEN AC TRANSMITTER YUCHENG

## > 产品概述 Product overview

一体式开口交流变送器是一种可以直接将被测主回路交流电流转换成按线性比例输出的DC4~20mA (通过250Ω电阻转换DC1~5V或通过500Ω电阻转换DC1~10V) 恒流环标准信号的测量仪器, 交流电流变送器具有精度高、响应快、体积小、功耗小、频响宽、抗干扰、具有雷击波和冲击波的保护能力等优点。

The integrated open-ended AC transmitter can directly convert the AC current of the main circuit to DC4~20mA (through 250kV) with linear proportional output Ω Resistance conversion DC1~5V or through 500V Ω Resistance conversion (DC1~10V) constant current ring standard signal measuring instrument, AC current transmitter has the advantages of high precision, fast response, small volume, low power consumption, wide frequency response, anti-interference, lightning wave and shock wave protection.

## > 产品特点 Product features

- ◆ 卡扣结构、线性度好、灵敏度高
- ◆ 采用高导磁硅钢, 线性度好、灵敏度高
- ◆ 内部环氧树脂浇注, 稳定性好, 重量轻, 方便安装
- ◆ Snap structure, good linearity and high sensitivity
- ◆ High permeability silicon steel with good linearity and high sensitivity
- ◆ Internal epoxy resin casting, good stability, light weight, easy installation

## > 应用范围 Scope of application

适用于农网改造、电气火灾监控、防火漏电系统、智慧用电系统、电量测量、电能质量分析及电气设备信号的采集、照明设备、电机、电力装置等设备的电力需求侧管理小电流接地系统、电磁继电器保护、微机保护、智慧电力、环保监测等。

It is suitable for rural power grid reconstruction, electrical fire monitoring, fire prevention and leakage system, intelligent power system, power measurement, power quality analysis and electrical equipment signal acquisition, power demand side management of lighting equipment, motor, power device and other equipment, small current grounding system, electromagnetic relay protection, microcomputer protection, intelligent power, environmental protection monitoring, etc.

## > 性能指标 Performance index

电气参数 Electrical parameters		机械参数 Mechanical parameters	
工作频率 Working frequency	50~2KHz	外壳 Shell	ABS, 阻燃等级94-V0 ABS, Flame retardant grade 94-V0
额定输入 Rated input	5A~2000A	骨架 Skeleton	PBT
测量范围 Measuring range	10%In~130%In	铁芯 Iron core	铁氧体/硅钢 Ferrite/silicon steel
额定输出 Rated output	DC4~20mA, DC0~20mA, DC0~10V, DC0~5V, 485可定制 Customizable	内部结构 Internal structure	卡扣 Clasp
比值差 Ratio difference	≤ ± 0.1%	施工方案 Construction plan	扎带固定 Band fixation
相位差 Phase difference	≤ ± 10分	工作温度 Working temperature	-25℃ ~ +75℃
介质强度 Dielectric strength	2.5KV/1mA/1min	环境湿度 Ambient humidity	≤ 85%
绝缘电阻 Insulation resistance	DC500V/1000MΩ /min	接线方式 Connection mode	PVC 三色1.5m双绞线 PVC tricolor 1.5m twisted pair

## > 外形及安装尺寸 Outline and installation dimensions

