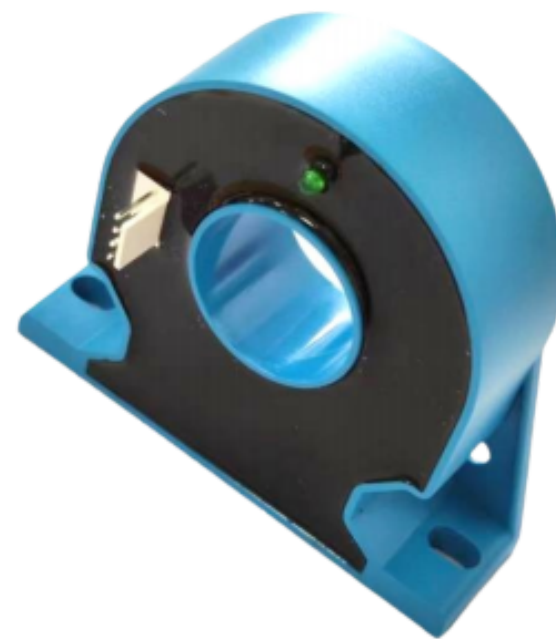


# Fluxgate Current Sensor

## YCFC300LT25



It can be used to measure DC, AC, and pulse current. The primary and secondary circuits are fully insulated. There is no insertion loss.

Product Model	Rated Current IPN(A)	Max Measurement Range IPM(A)	Rated Output IOU(mA)	Turns Ratio KN
YFC300LT25	300A	360A	± 150	1:2000

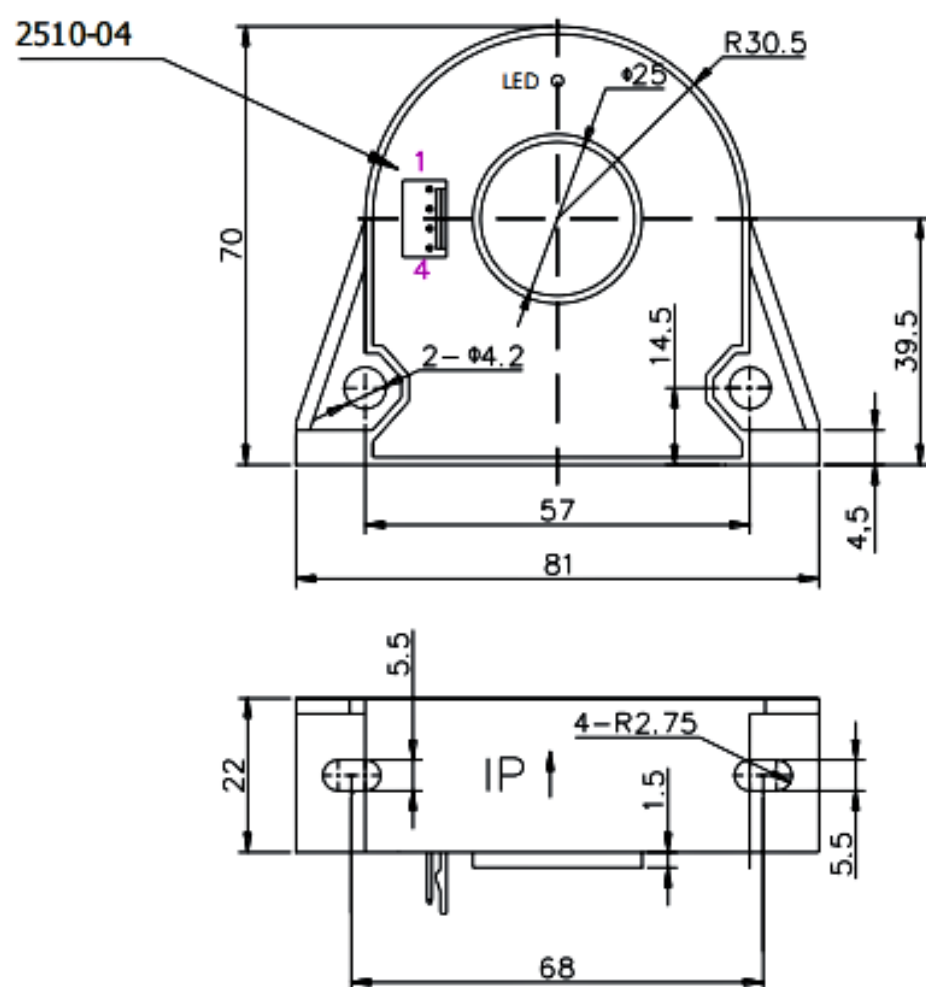
### Application Area Application Fields

- Medical Equipment
- MRI Units
- Instruments and Meters
- BMS
- Smart Grid

### Executive Standards

- JB/T 7490-2007 Hall Effect Current Sensors
- SJ20790-2000 General Specification for Current and Voltage Sensors

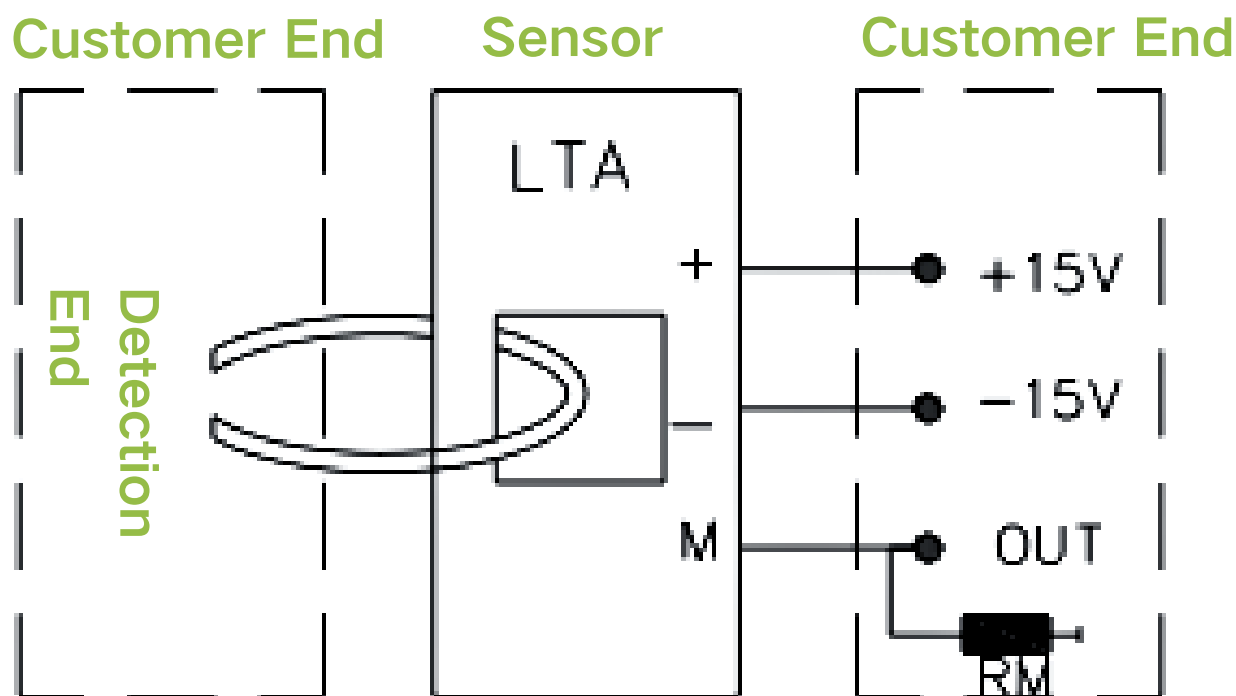
### Outline Dimensions and Pin Definition (Unit: mm)



PINS	Function Definition
1	+15V Power Positive
2	-15V Power Negative
3	OUT Output
4	GND Ground

- General Tolerance : ± 1 mm
- Other Tolerances Standard : GB/T 1804-2000-M

## Application Schematic



## Usage Instructions and Precautions

- Refer to the current direction arrow in the structural diagram to connect the current correctly, and pay attention to the forward and reverse directions of the current passing through the sensor.
- Strictly follow the functional pin definitions marked in the structural diagram for wiring (Note: Incorrect wiring may cause damage to the sensor).
- The above specifications are for standard parameter products; products can be customized according to customer requirements.

**Electrical Parameter Characteristics @ Ta = 25°C**

Parameter Description	Symbol	Unit	Min	Typ	Max	Test Condition / Remarks
Supply Voltage	VCC	V	±15V	-	±18V	@DC
Power Consumption Current	IC	mA	±20	±170	±210	@IPN
Quiescent Zero-Point Output	IOE	μA	-15	0	15	@Ip = 0A, T = 25 ° C
Measurement Resistance	RM	Ω	0	-	18	@DC ±15V, IPN = ±300A
Measurement Resistance	RM	Ω	0	-	34	@DC ±18V, IPN = ±300A
Accuracy	XG	%	-	-	0.05	@IPN, T = 25 ° C
Linearity	ξ L	ppm	-	-	50	@IPN, T = 25 ° C
Current Tracking Speed	di/dt	A/μs	100			
Response Time	TR	μs			1	@90% IPN
Zero Offset Current	IO	μA			30	@-40 ° C ~ +85 ° C
Operating Bandwidth	BW	kHz			100	@DC
Operating Temperature Range	TA	° C	-40	-	85	
Storage Temperature Range	TS	° C	-45	-	90	
Withstand Voltage	Vd	V		5000		@AC 50/60Hz, 1 minute
Weight	m	g		130		