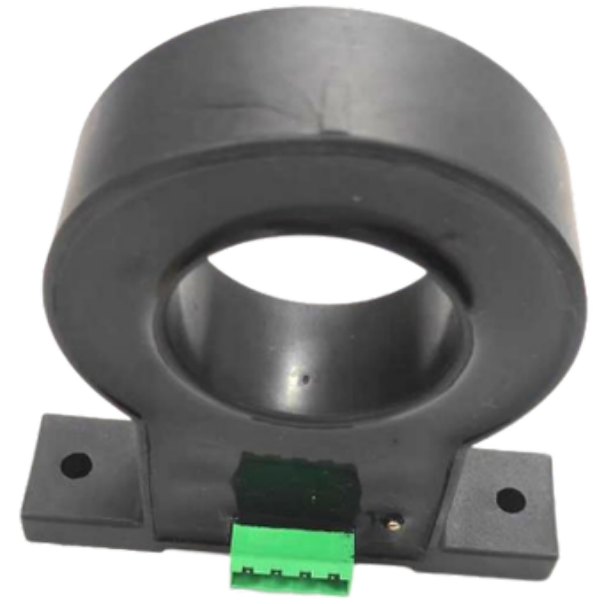


Leakage Current Sensor YCDV16C0LTA

YCDV1C1..5C3EA



Suitable for measuring DC leakage current, with complete insulation between the primary and secondary circuits, and no insertion loss.

Product Model		
YCDV1C1LEA	10	15
YCDV2C1LEA	20	30
YCDV2C3LEA	2000	3000
YCDV5C3LEA	5000	7500

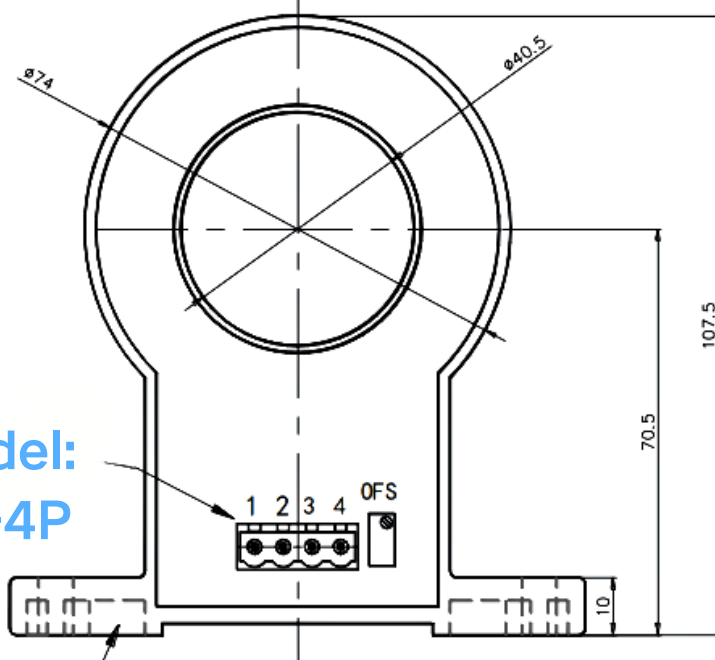
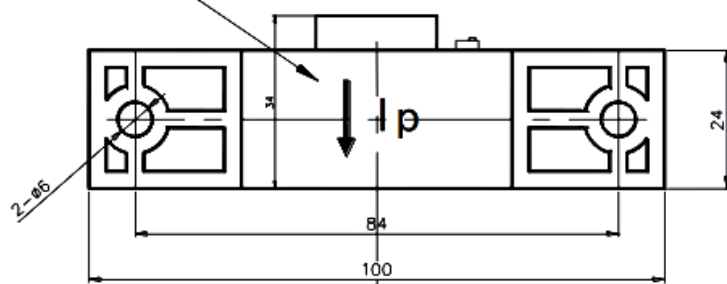
Application Fields
• Communication Power Supply
• DC Screens
• Battery Power Supply Application
• Energy Storage
• Instruments and Meters

Executive Standards

- JB/T 7490-2007 Hall Effect Current Sensors
- SJ20790-2000 General Specification for Current and Voltage Sensors

Outline Dimensions and Pin Definition (Unit: mm)

Current Direction



Connector Model:
JK2EDG-5.08-4P

Material: PBT G30

PINS	Definition
1	Positive Supply +15V
2	Negative Supply -15V
3	Output OUT
4	Ground GND

- General Tolerance : ± 1 mm
- Other Tolerances Standard : GB/T 1804-2000-M

Electrical Parameter Characteristics @ Ta = 25°C

Parameter Description	Symbol	Unit	Test Conditions	Min	Typ	Max
Supply Voltage	VCC	V	@DC	± 12V	± 15V	± 18V
Power Consumption Current	IC	mA	@IPN		15	
Rated Output	VOUT	V	@RL=10K, T=25 ° C		± 5	
Static Zero Point Output	VOE	mV	@IP=0A, T=25 ° C	-50	0	50
Magnetic Offset Voltage	VOM	mV	@IP=0A, T=25 ° C	-20	0	20
Load Resistance	RL	Ω	@DC ± 15V, IPN	10K		
Accuracy	XG	%	@IPN, T=25 ° C		± 1	
Linearity	ε L	%	@IPN, T=25 ° C		± 1	
Response Time	TR	ms	@90%IPN			200
Zero Point Output Temp Drift	TCV OE	mV/ ° C	@-40 ° C ~ +85 ° C		± 2.0	
Rated Output Temp Drift	TCV OUT	%/ ° C	@-40 ° C ~ +85 ° C	-0.1		0.1
Operating Bandwidth	BW	KHz			DC	
Operating Temp Range	TA	° C		-40 ° C	-	+85 ° C
Storage Temp Range	TS	° C		-45 ° C	-	+105 ° C
Withstand Voltage	Vd	V	@AC50/60Hz 1 min		3000	
Insulation Resistance		Ω	@DC500V	500M		
Weight	m	g		75		

Usage Instructions and Precautions

- Refer to the current direction arrow in the structural diagram to connect the current correctly, and pay attention to the forward and reverse directions of the current passing through the sensor.
- Strictly follow the functional pin definitions marked in the structural diagram for wiring (Note: Incorrect wiring may cause damage to the sensor).
- The above specifications are for standard parameter products; products can be customized according to customer requirements.