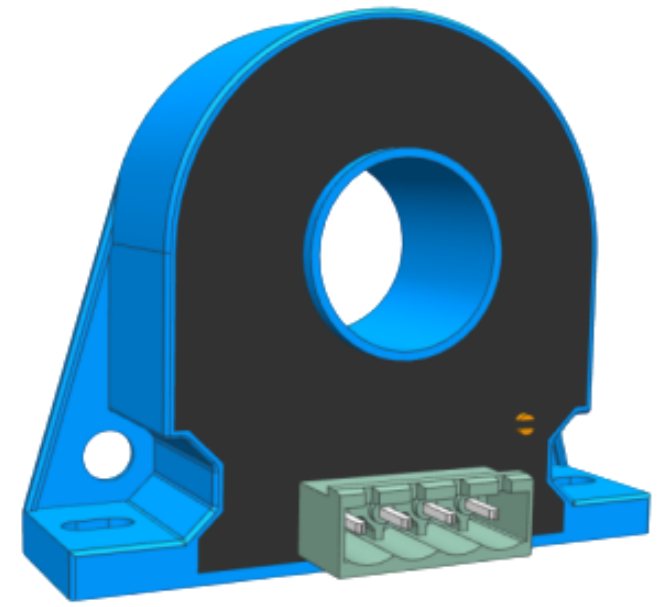


Leakage Current Sensor YCDV16C0LTA

YCDV16C0LTA



Suitable for measuring DC leakage current, with complete insulation between the primary and secondary circuits, and no insertion loss.

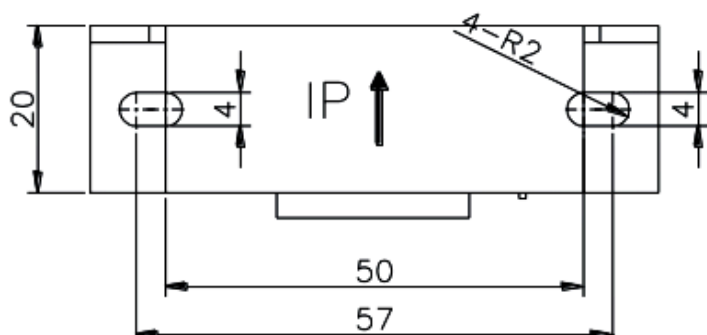
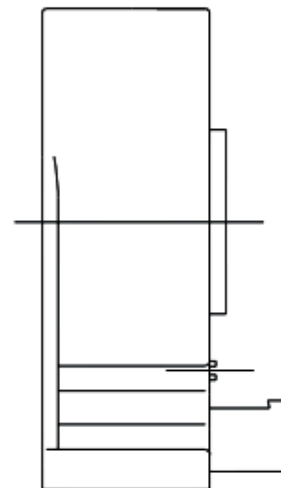
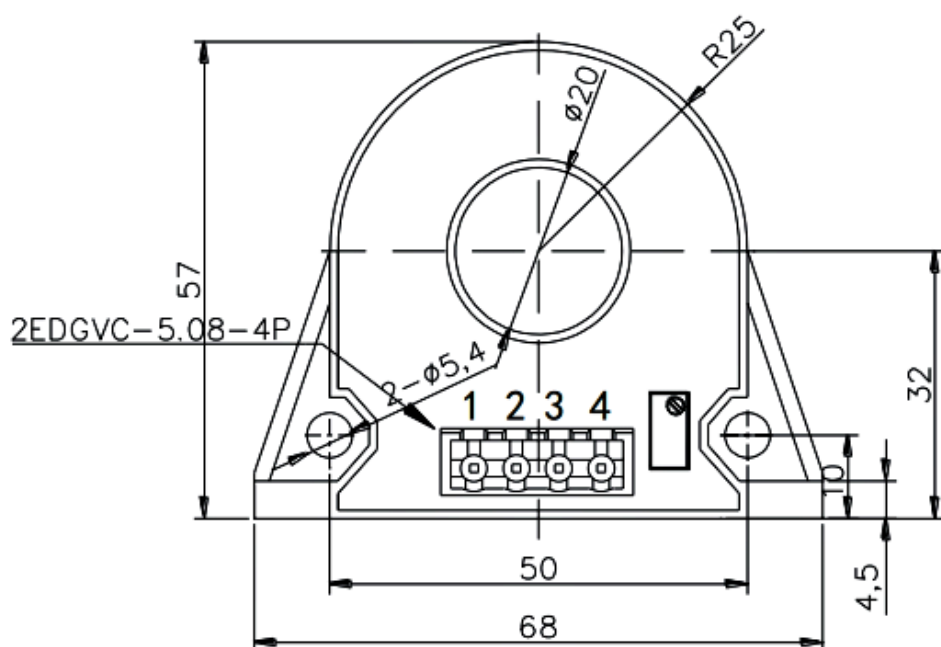
Product Model	Rated Current IPN(mA)	Max Measurement Range IPM(mA)
YCDV16C0LTA	16	32

Application Fields
• Communication Power Supply
• DC Screens
• Battery Power Supply Application
• Energy Storage
• Instruments and Meters

Executive Standards

- JB/T 7490-2007 Hall Effect Current Sensors
- SJ20790-2000 General Specification for Current and Voltage Sensors

Outline Dimensions and Pin Definition (Unit: mm)



Pin	Definition
1	Positive Supply +5V
2	Negative Supply -5V
3	OUT
4	GND

- General Tolerance: ± 1 mm
- Other Tolerances Standard: GB/T 1804-2000-M

Electrical Parameter Characteristics @ Ta = 25°C

Parameter Description	Symbol	Unit	Test Conditions	Min	Typ	Max
Supply Voltage	VCC	V	@DC	4.75	5	5.5
Power Consumption Current	IC	mA	@IPN		40	
Rated Output	VOUT	V	@RL=10K, T=25°C		± 4	
Static Zero Point Output	VO0	mV	@IP=0A, T=25°C	-50	0	50
Hysteresis Voltage	VOM	mV	@IP=0A, T=25°C	-20	0	20
Load Resistance	RL	Ω	@DC ± 15V, IPN	10K		
Accuracy	XG	%	@IPN, T=25°C		± 1	
Linearity	ε L	%	@IPN, T=25°C		± 1	
Response Time	TR	ms	@90%IPN			200
Zero Point Output Temp Drift	TCVO0	mV/°C	@-40°C ~ +85°C		± 2.0	
Rated Output Temp Drift	TCVOUT	%/°C	@-40°C ~ +85°C	-0.1		0.1
Operating Bandwidth	BW	KHz			DC	
Operating Temperature Range	TA	°C		-40°C	-	+85°C
Storage Temperature Range	TS	°C		-45°C	-	+105°C
Withstand Voltage	Vd	V	@AC 50/60Hz, 1 minute		3000	
Insulation Resistance		Ω	@DC 500V	500M		
Weight	m	g			79	

Usage Instructions and Precautions

- Refer to the current direction arrow in the structural diagram to connect the current correctly, and pay attention to the forward and reverse directions of the current passing through the sensor.
- Strictly follow the functional pin definitions marked in the structural diagram for wiring (Note: Incorrect wiring may cause damage to the sensor).
- The above specifications are for standard parameter products; products can be customized according to customer requirements.