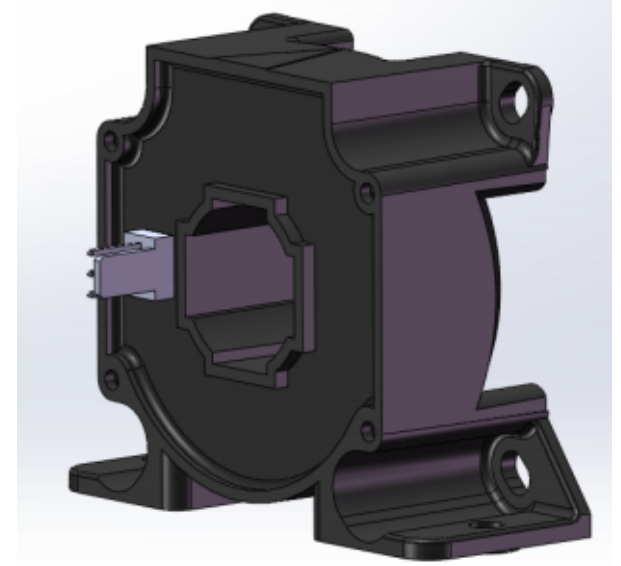


Closed-Loop Hall Current Sensor

YCCC200RT1



It can be used to measure DC, AC, and pulse current. The primary and secondary circuits are fully insulated. There is no insertion loss.

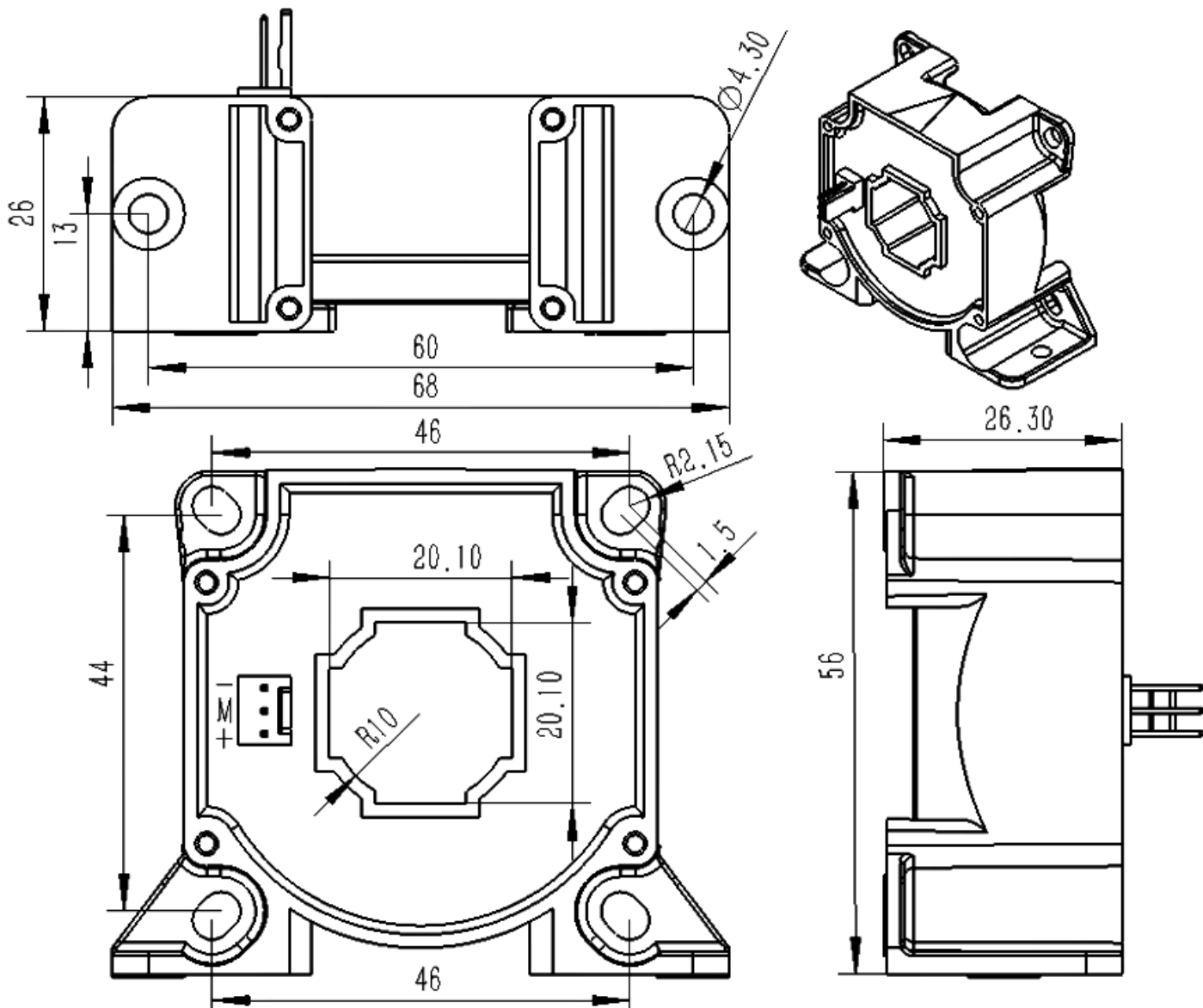
Product Model	Rated Current IPN (A)	Measurement Range IPM (A)	Rated Output IOUT (mA)	Turns Ratio KN
YCCC200RT1	200	± 300	100	1 : 2000

Application Areas
Switching power supplies
AC drives
Uninterruptible power supplies
Static converters in DC motors

Executive Standards

- JB/T 7490-2007 Hall Effect Current Sensors
- SJ20790-2000 General Specification for Current and Voltage Sensors

Outline Dimensions and Pin Definition (Unit: mm)



Pin Definition
-: Negative power supply -15V
M: Current output
+: Positive power supply +15V

- General Tolerance : ± 1 mm
- Other Tolerances Standard : GB/T 1804-2000-M

Electrical Parameter Characteristics @ Ta = 25°C

Parameter Description	Symbol	Unit	Test Conditions	Min	Typ	Max
Supply Voltage	VCC	V	@DC		± 15V ± 1.5V	
Power Consumption Current	IC	mA	@IPN=0A		20+IOUT	
Static Zero Point Output	IOE	mA	@IP=0A, T=25 ° C	-0.2	0	0.2
Magnetic Offset Current	IOM	mA	@IP=0A, T=25 ° C	-0.15	0	0.15
Measurement Resistance	RM	Ω	@± 15V, IPN=500A	-	-	90
Accuracy	XG	%	@IPN, T=25 ° C	-	± 0.5	-
Linearity	ε L	%	@IPN, T=25 ° C	-	± 0.1	-
Current Following Accuracy	di/dt	A/μs		100	-	-
Response Time	TR	μs	@90%IPN	-	-	1
Zero Point Output Temp Drift	TCIOE	mA	@-40 ° C~+85 ° C	-	± 0.5	-
Rated Output Temp Drift	TCIOUT	mA	@-40 ° C~+85 ° C	-	± 0.5	-
Bandwidth	BW	KHz	@DC	-	100	-
Operating Temperature Range	TA	° C		-40 ° C	-	+85 ° C
Storage Temperature Range	TS	° C		-45 ° C	-	+105 ° C
Weight	m	g		-	101	-

Usage Instructions and Precautions

- Refer to the current direction arrow in the structural diagram to connect the current correctly, and pay attention to the forward and reverse directions of the current passing through the sensor.
- Strictly follow the functional pin definitions marked in the structural diagram for wiring (Note: Incorrect wiring may cause damage to the sensor).
- The above specifications are for standard parameter products; products can be customized according to customer requirements.