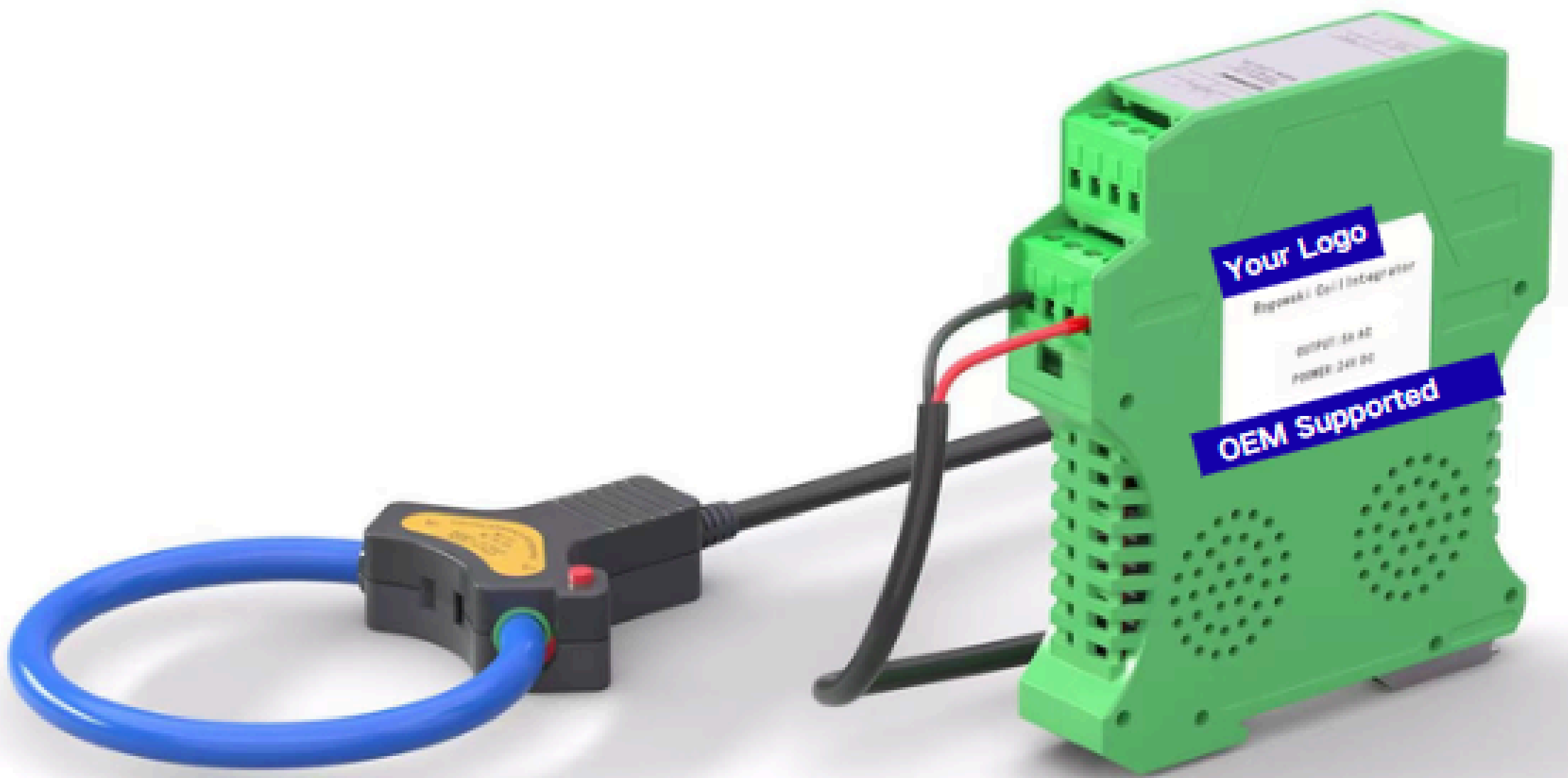


Product Specification



Model Number

YC05-1

Single-phase 5A Integrator

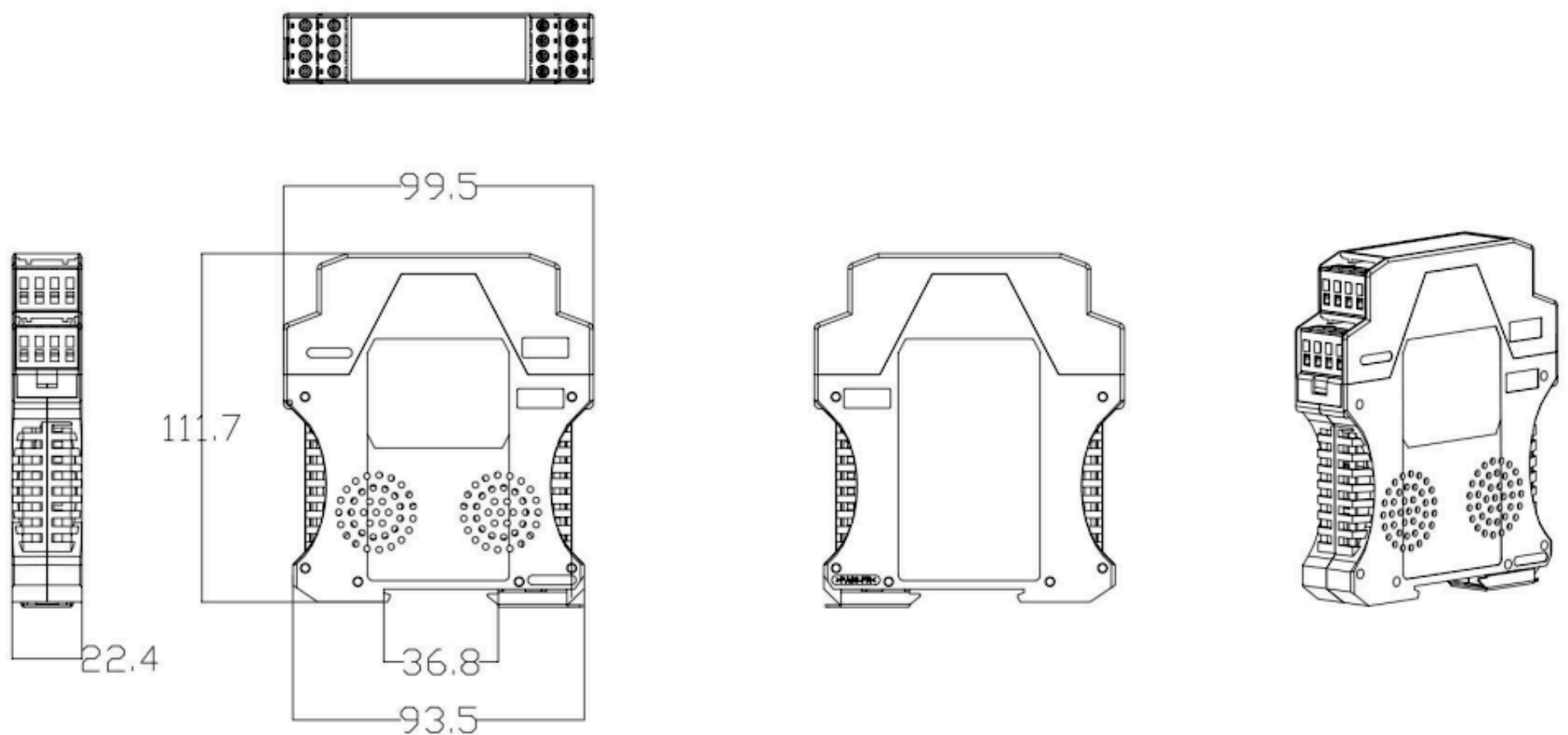
Overview

The YC05-1 is a single-phase rated current 5A output Rogowski coil integrator, powered by 24VDC (20W or higher), and designed for standard 35mm DIN rail mounting.

Features

- The YC05-1 can be used with any model or size of Rogowski coils from **YUCHENG**.
- Customizable measured current range available upon customer request.
- Output value: 0 ~ 5A AC
- Wide bandwidth measurement: 30Hz to 2kHz
- The YC05-1 paired with Rogowski coils forms a highly flexible system, suitable for measuring devices, power monitoring & analysis, and integration with traditional energy meters. Thanks to the numerous advantages of Rogowski coils, it solves many problems that conventional CTs cannot address — making it the perfect alternative solution to replace traditional CTs.

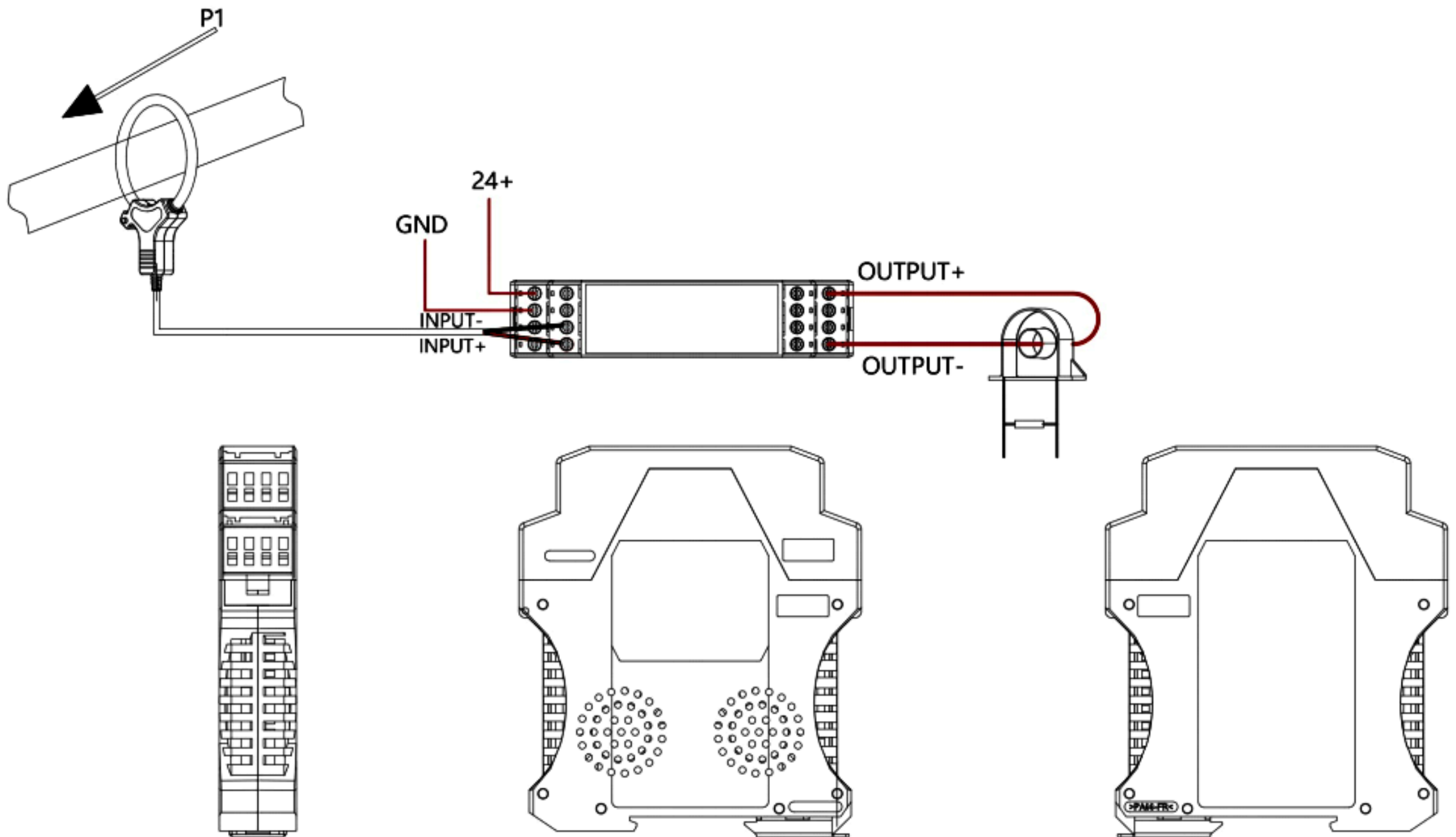
Dimensional Drawing Unit(mm)



Technical Specifications

Model Number	YC05-1
Rated Current	50A ~ 20kA
Rated Output	5A ACrms
Maximum Output	5.5A ACrms (short-time)
Recommended Rogowski Coil	LSPD3-100 (Inner diameter: 100mm, Sensitivity: 100mV/kA @ 50Hz)
Accuracy Class	0.5 class at center position (45Hz ~ 65Hz)
Linearity	± 0.2% (5% ~ 100% F.S.)
Bandwidth	30Hz ~ 2.2kHz
Maximum Load	0.2 Ω
Measurement Type	Secondary CT measurement integrator output
Power Consumption	≤15W
Zero Drift	≤0.2A
Temperature Drift	100ppm/ ° C
Dimensions (L × W × H)	112 × 95 × 22.5 mm
Weight	170g
Supply Voltage	24V DC (1A or higher)
Operating Temperature	-25 ° C ~ +55 ° C
Storage Temperature	-30 ° C ~ +85 ° C
Relative Humidity	Max. 80%, non-condensing
Protection Rating	IP20

Wiring Diagram



Note: Do not cover the ventilation holes!

WARNING!

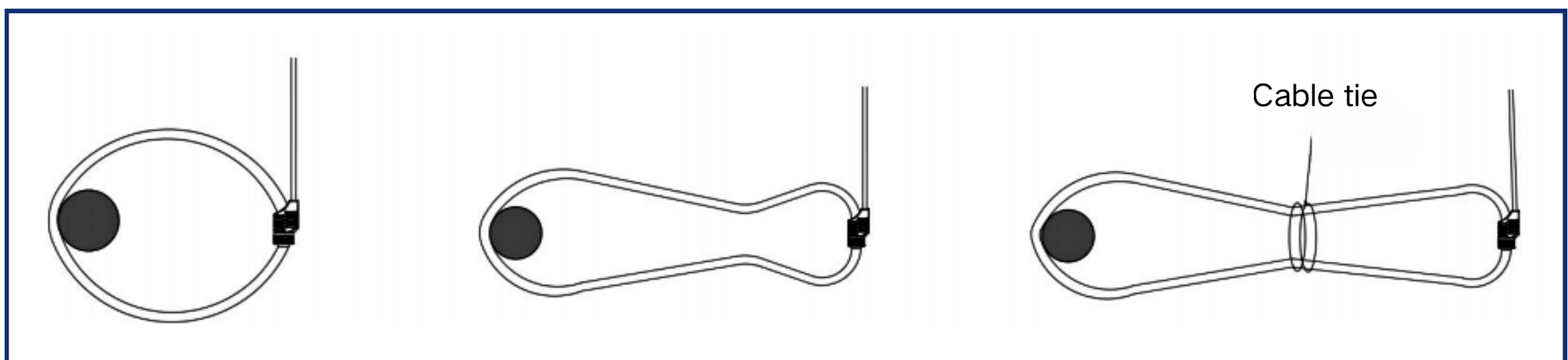
- Rogowski coils must only be installed and operated by qualified personnel who have received relevant electrical training and hold appropriate certifications.
- During installation or operation, users must comply with applicable national safety regulations and the manufacturer's operating instructions. The device shall only be used in electrical or electronic equipment that meets specified parameter standards and safety requirements.

ELECTRIC SHOCK HAZARD!

- When handling the Rogowski coil, certain parts of the module may carry hazardous voltage. Users must take all necessary precautions to prevent electric shock.
- The Rogowski coil is an internal component containing live conductive parts that must not be touched after installation.
- A protective cover or additional insulation barrier must be installed around the Rogowski coil's mounting area.
- If maintenance is required due to equipment failure, ensure there are no hazardous live components within or near the power system before proceeding — otherwise, disconnect the main power supply before performing any repair or servicing operations.

NOTE!

- Safe and trouble-free operation of the coil can only be guaranteed under conditions of proper transportation, storage, installation, careful handling, and regular maintenance.
- Avoid excessive bending, piercing, over-compression, or sharp kinking — such actions will significantly reduce the device's accuracy and service life.



**Do not forcibly pull
or stretch!**

**Do not forcibly
bend!**

**Do not tie with cable
ties while bent!**